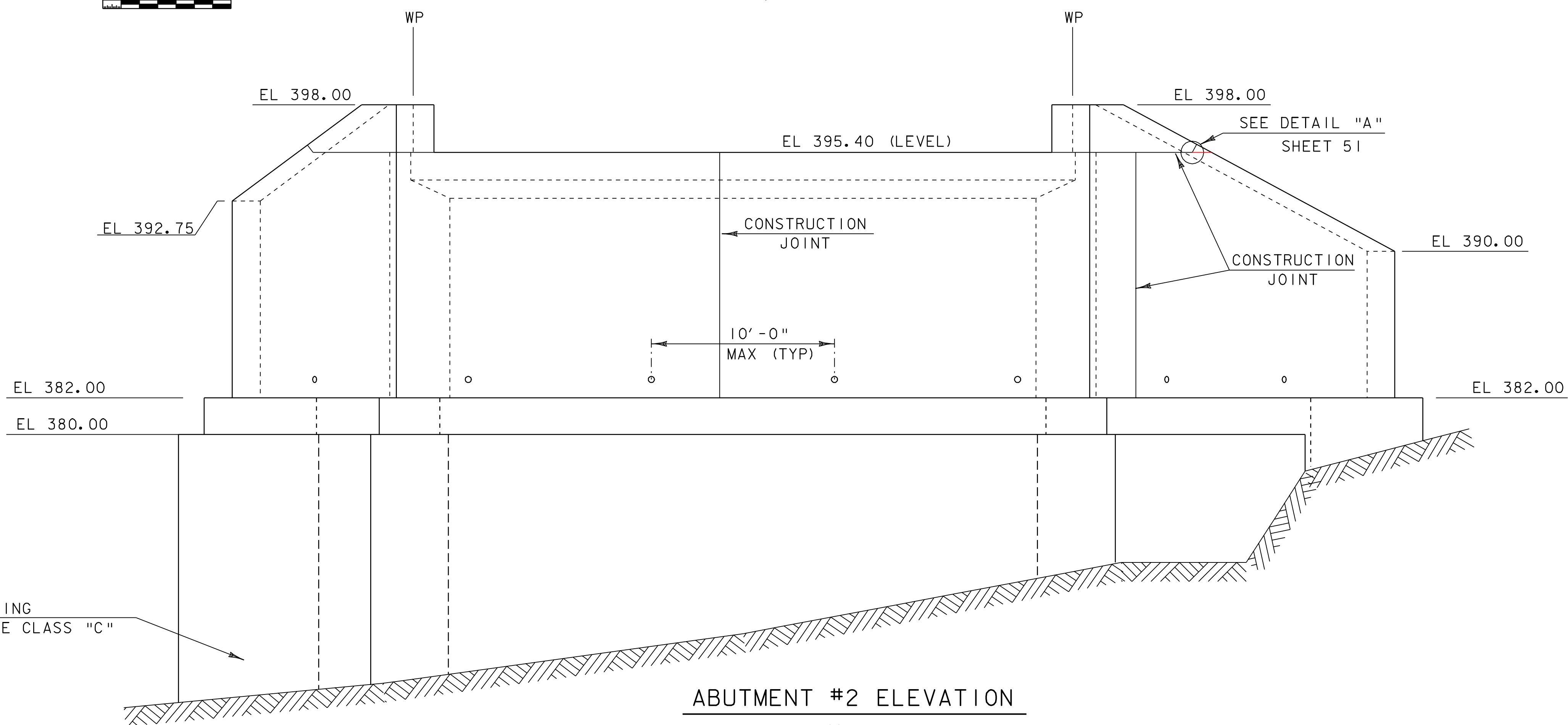


ABUTMENT #2 PLAN

SCALE 1/4" = 1'-0"

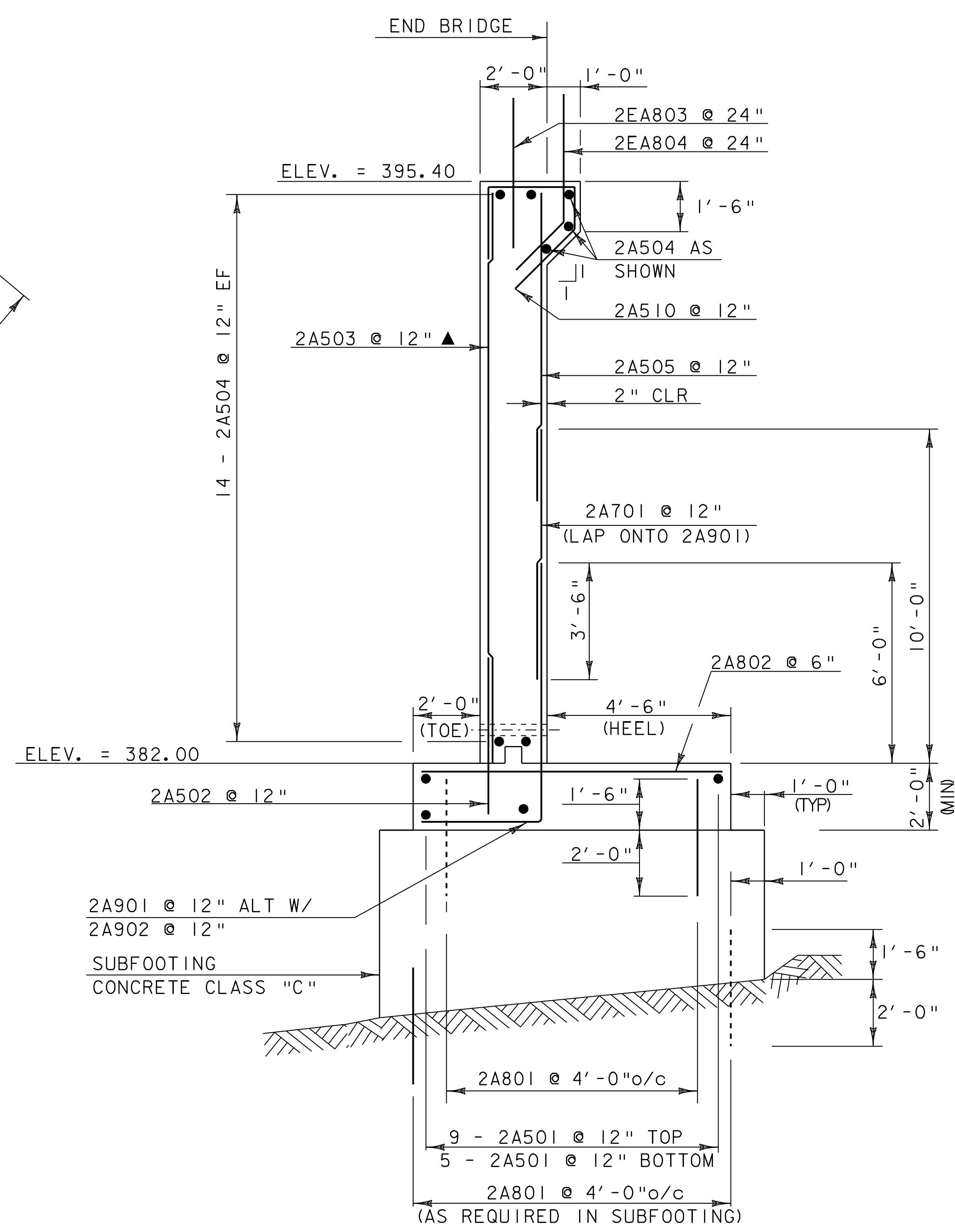
1 0 2 4 6



ABUTMENT #2 ELEVATION

SCALE 1/4" = 1'-0"

1 0 2 4 6



ABUTMENT #2 TYPICAL SECTION

SCALE 3/8" = 1'-0"

1 0 1 2 3 4

- NOTES:
- NF = NEAR FACE
 - FF = FAR FACE
 - EF = EACH FACE
 - ▲ = CUT TO FIT IN FIELD
 - 3" CLEAR UNLESS OTHERWISE SPECIFIED ON PLANS
 - ALL LAPS ARE 2'-2" UNLESS OTHERWISE SPECIFIED ON PLANS

PROJECT: HARTFORD	PROJECT NO.: BRO-BTN 2004 (1)
DESIGN FILE NAME: 89j045/structures/sj045sub.dgn	PLOT DATE: 09-MAY-2007 13:08
IPARM FILE NAME: sj045ab2.i	DRAWN BY: E. L. RUSTAY
DESIGNED BY: K. M. HIGGINS	CHECKED BY: K. M. HIGGINS
SQUAD LEADER: C. P. WILLIAMS	SHEET: 49A OF 97
ABUTMENT #2 DETAILS	

Revised Per Onsite Meeting 6/23/2005