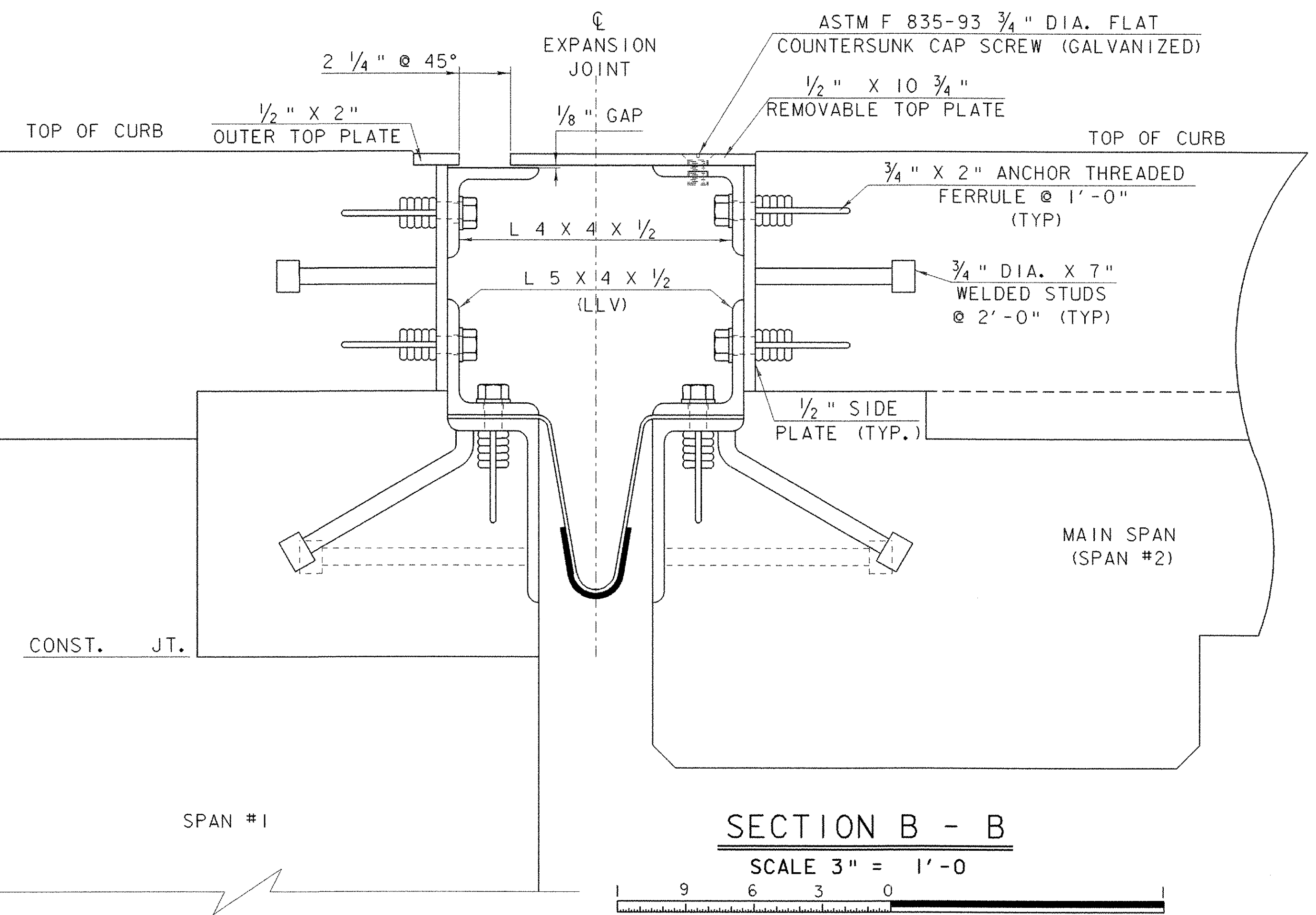


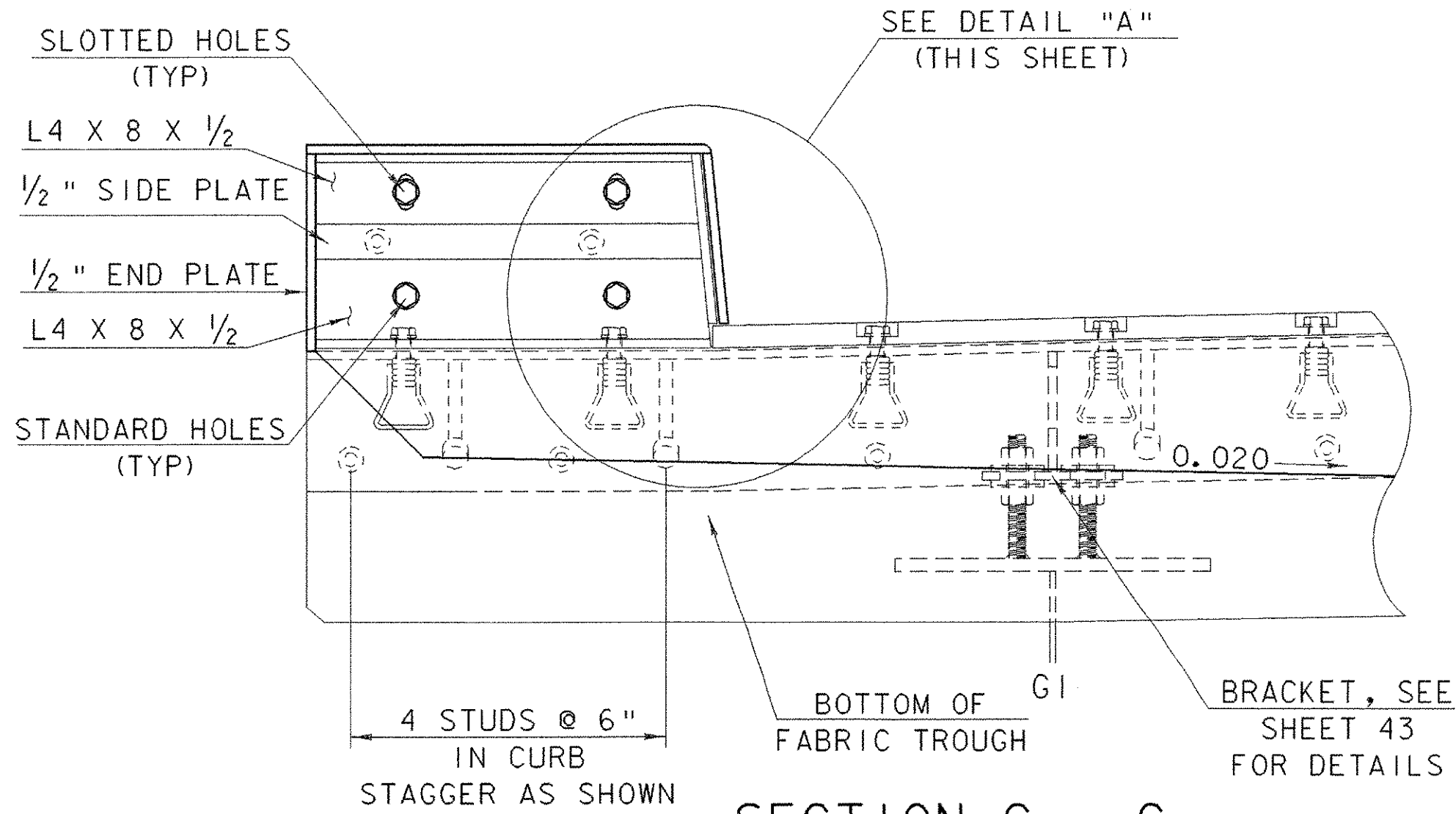
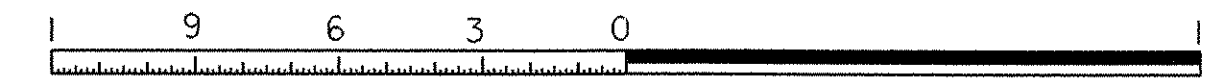
SECTION A-A

SCALE 3" = 1'-0"



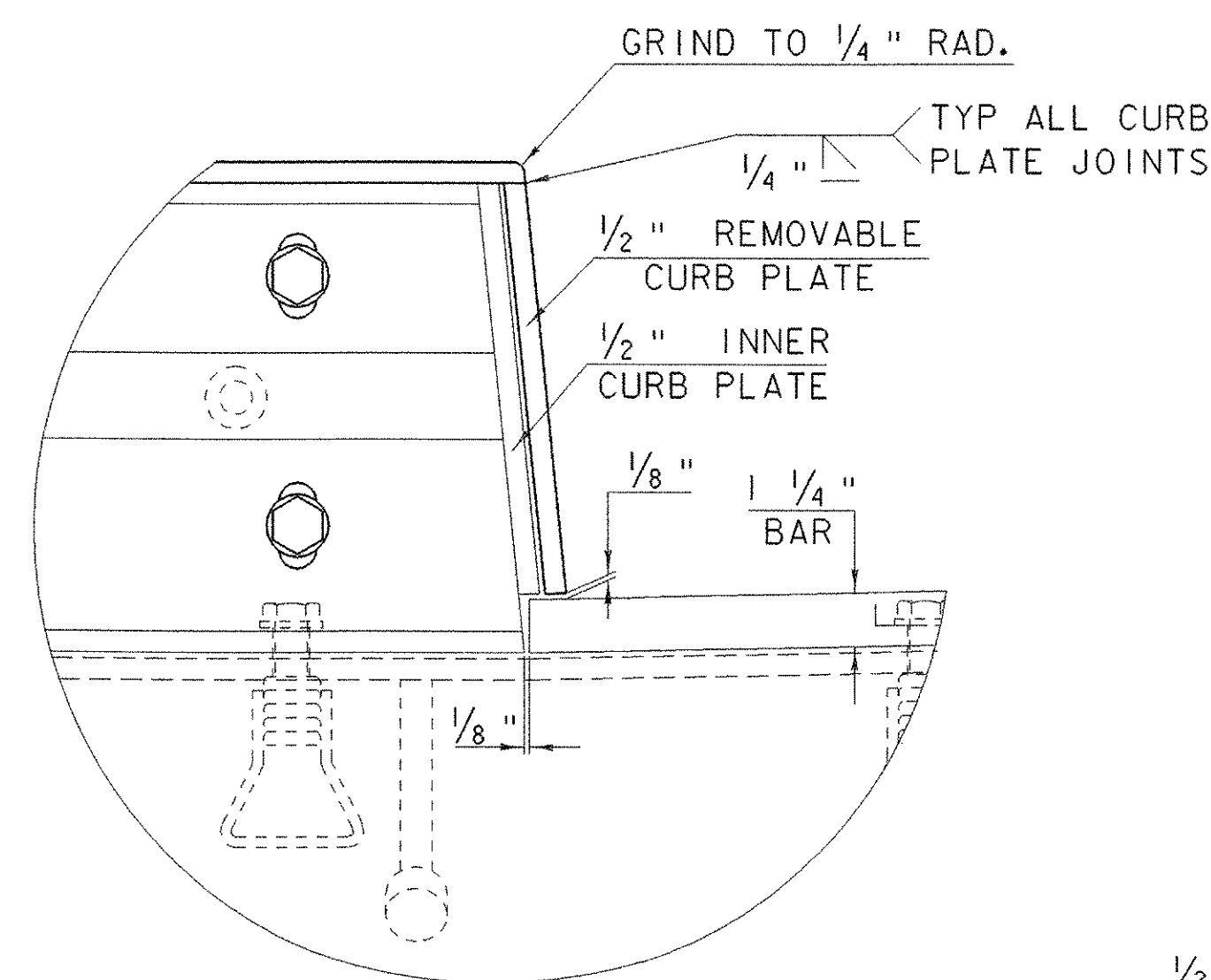
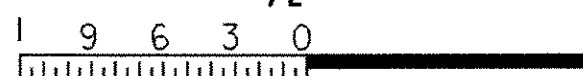
SECTION B - B

SCALE 3" = 1'-0"



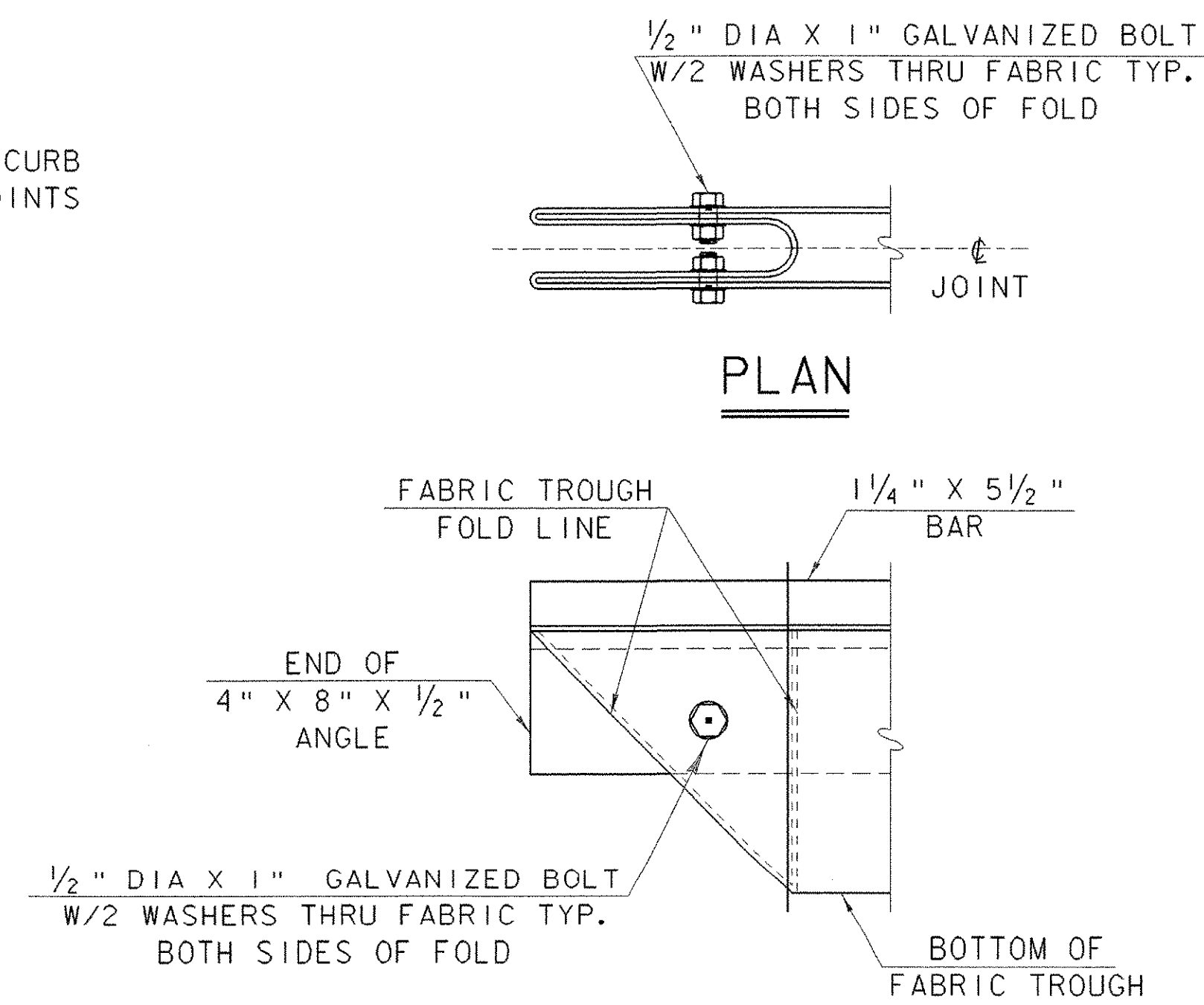
SECTION C - C

SCALE 1 1/2" = 1'-0"



DETAIL "A"

SCALE 3" = 1'-0"



ELEVATION

FOLDED TROUGH END DETAILS

NOT TO SCALE

PROJECT: HARTFORD	PROJECT NO.: BRO-BTN 2004 (1)
DESIGN FILE NAME: 89j045/structures/sj045exp.dgn	PLOT DATE: 11-FEB-2005
IPARM FILE NAME: sj045exp3.i	DRAWN BY: K. M. HIGGINS
DESIGNED BY: K. M. HIGGINS	CHECKED BY: M. LONGSTREET
SQUAD LEADER: C. P. WILLIAMS	SHEET: 45 OF 97
CURB PLATE DETAILS	