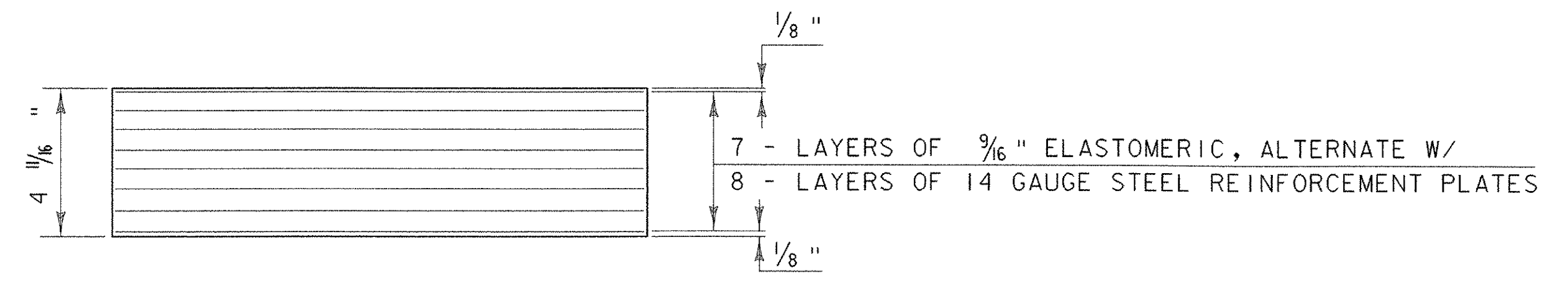
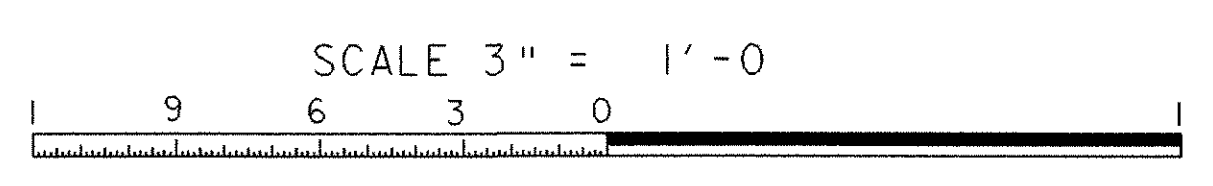
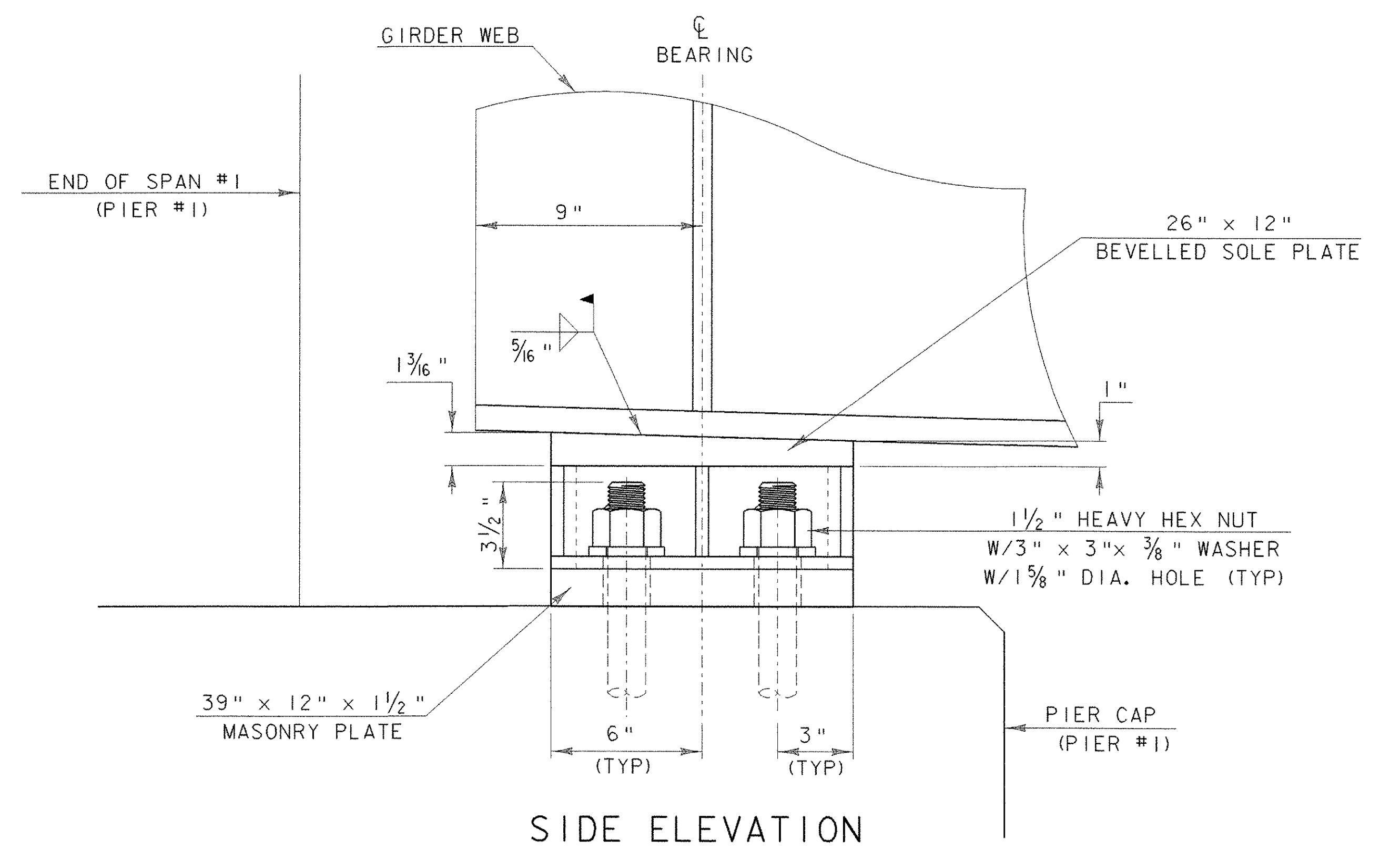
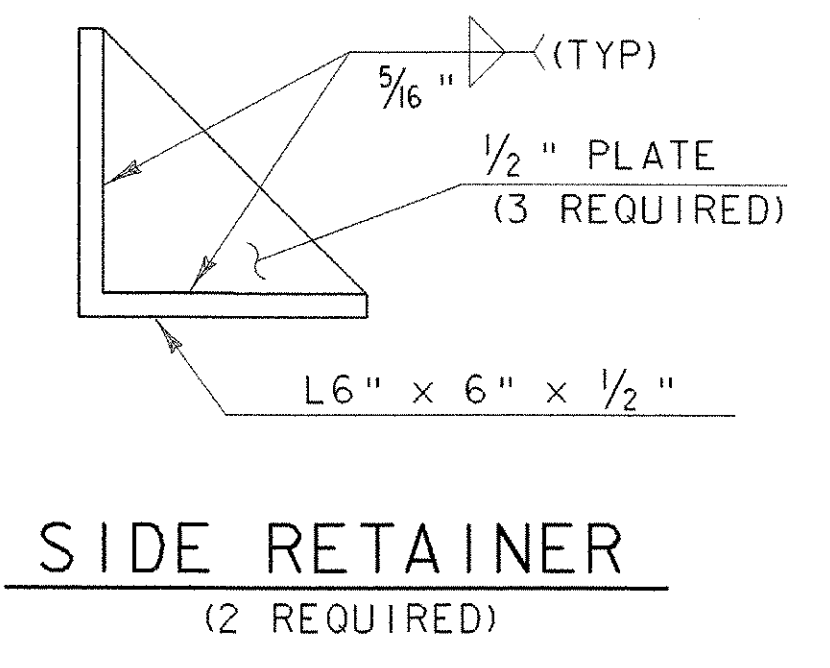


PLAN VIEW



SECTION A-A



PROJECT: HARTFORD	PROJECT NO.: BRO-BTN 2004 (1)
DESIGN FILE NAME: /89j045/structures/sj045brg.dgn	PLOT DATE: 11-FEB-2005
IPARM FILE NAME: sj045expbrg.i	DRAWN BY: K. M. HIGGINS
DESIGNED BY: K. M. HIGGINS	CHECKED BY: M. LONGSTREET
SQUAD LEADER: C. P. WILLIAMS	
EXPANSION BEARING DETAILS (PIER #1) SHEET: 40 OF 97	