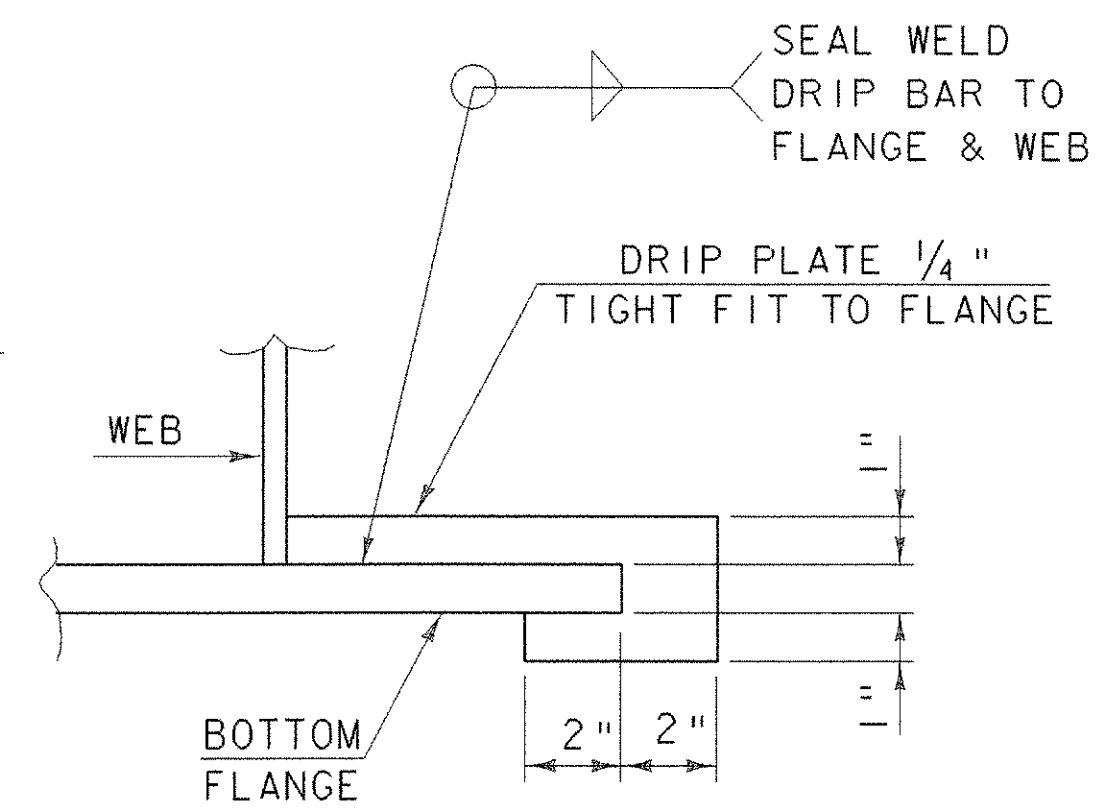
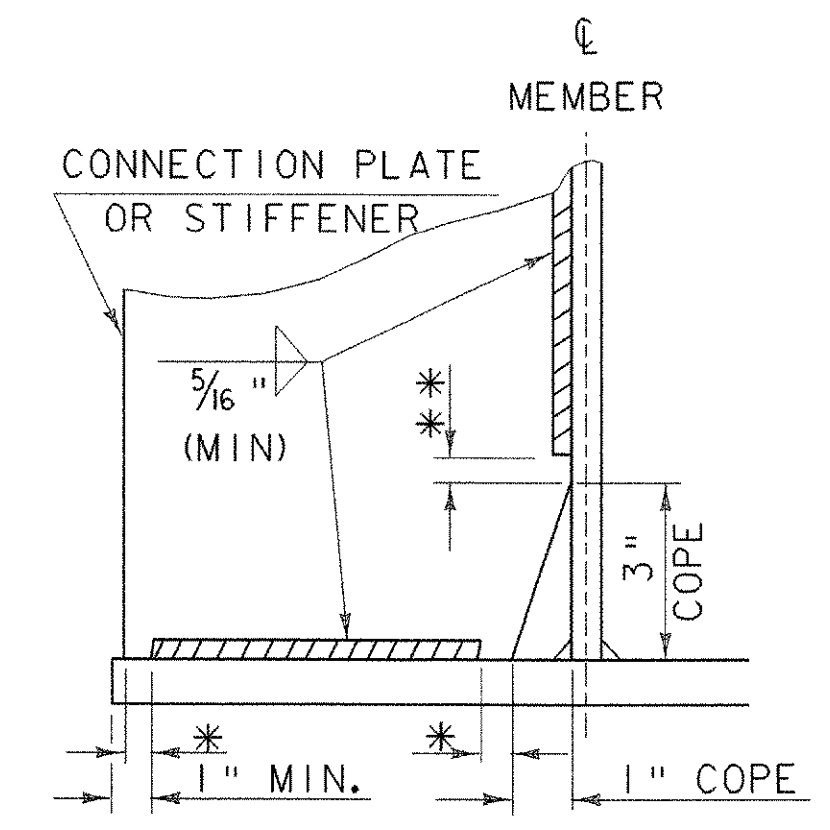


PLAN DRIP PLATE
NTS



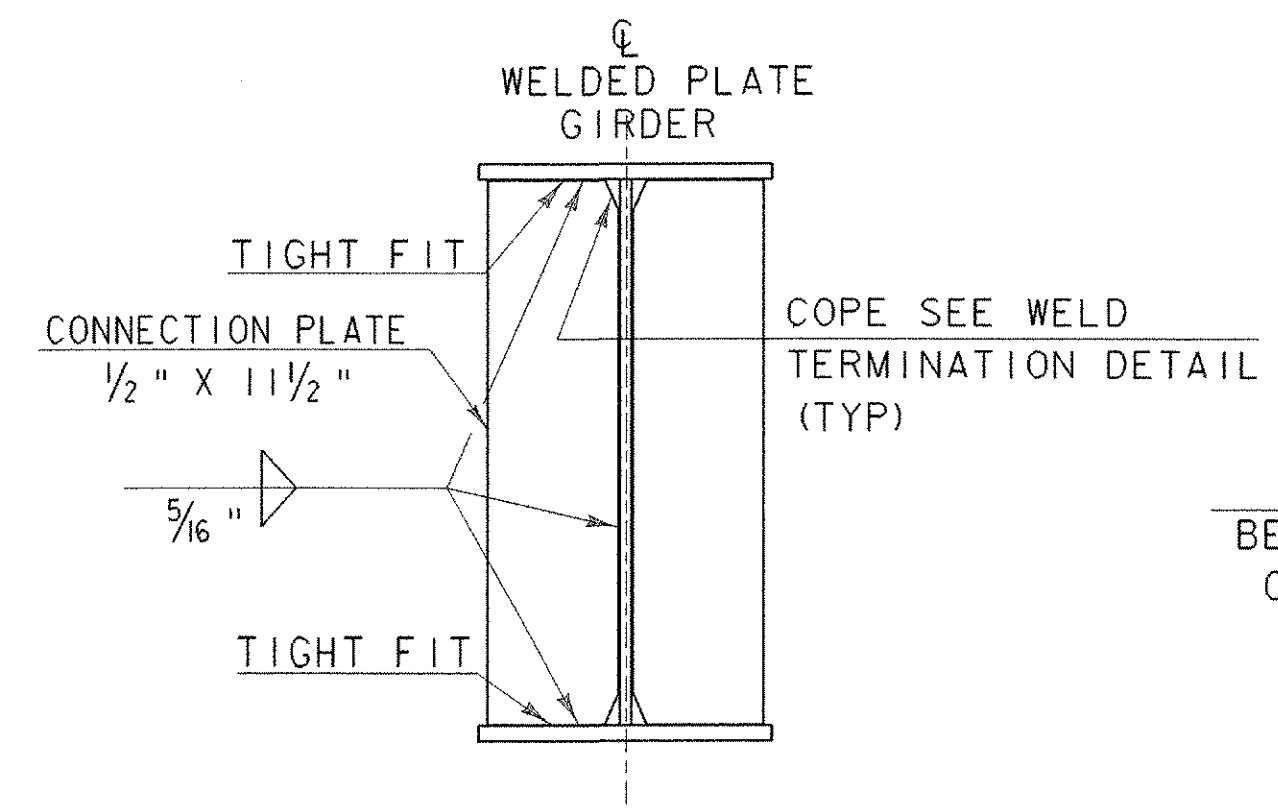
SECTION A - A

NOTE: DRIP PLATES SHALL BE PLACED ON OUTSIDE EDGE OF FASCIA GIRDERS ON THE HIGH SIDE OF PIER AS INDICATED ON PROJECT PLANS.

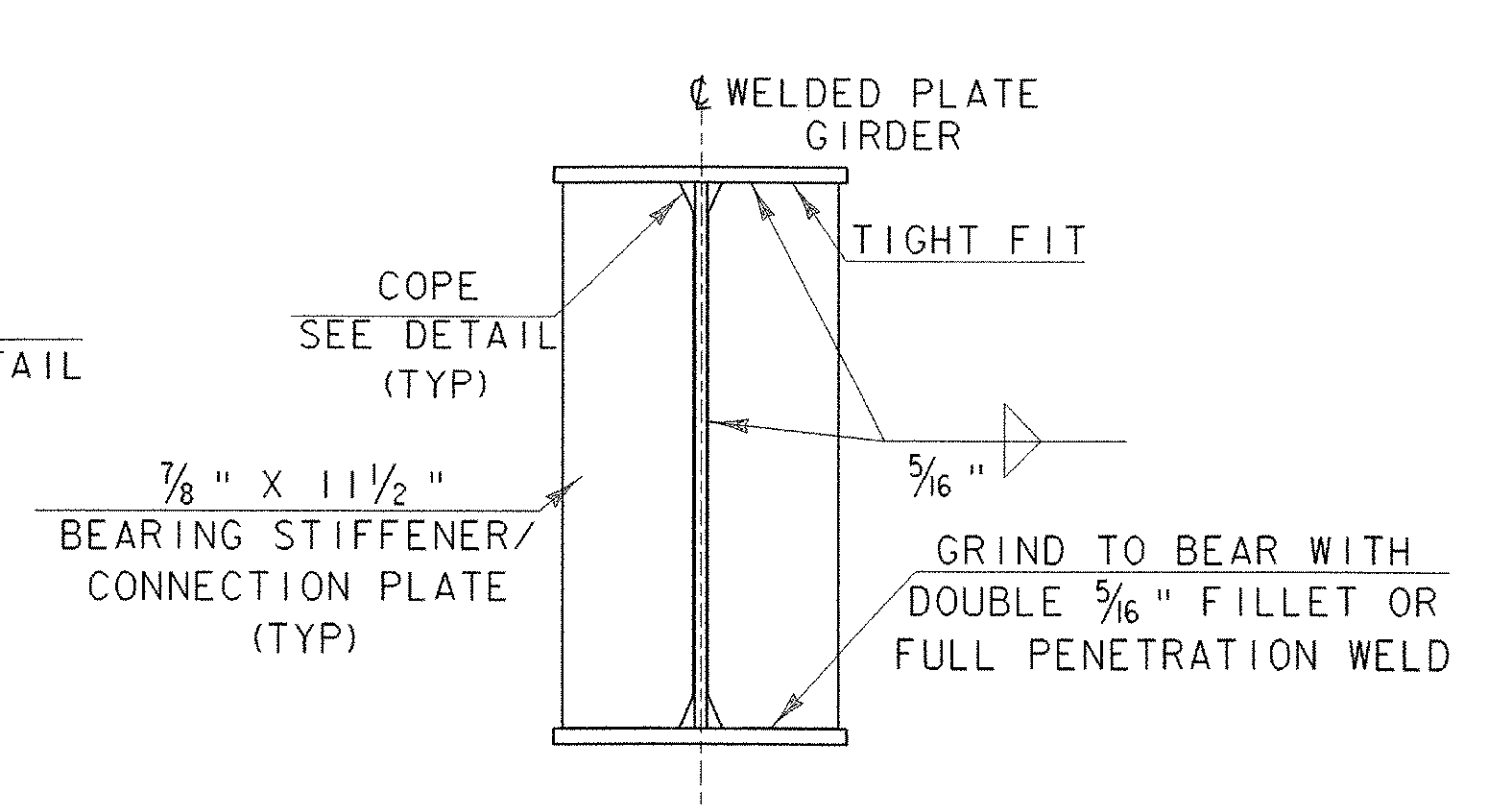


* NO WELD FOR 1/4" MIN. 1/2" MAX. (EXCEPT MUST MAINTAIN 1" MINIMUM FROM EDGE OF FLANGE)
** 1/2" ± 1/4" FOR CONNECTION PLATE OR STIFFENER TO WEB WELDS ONLY.

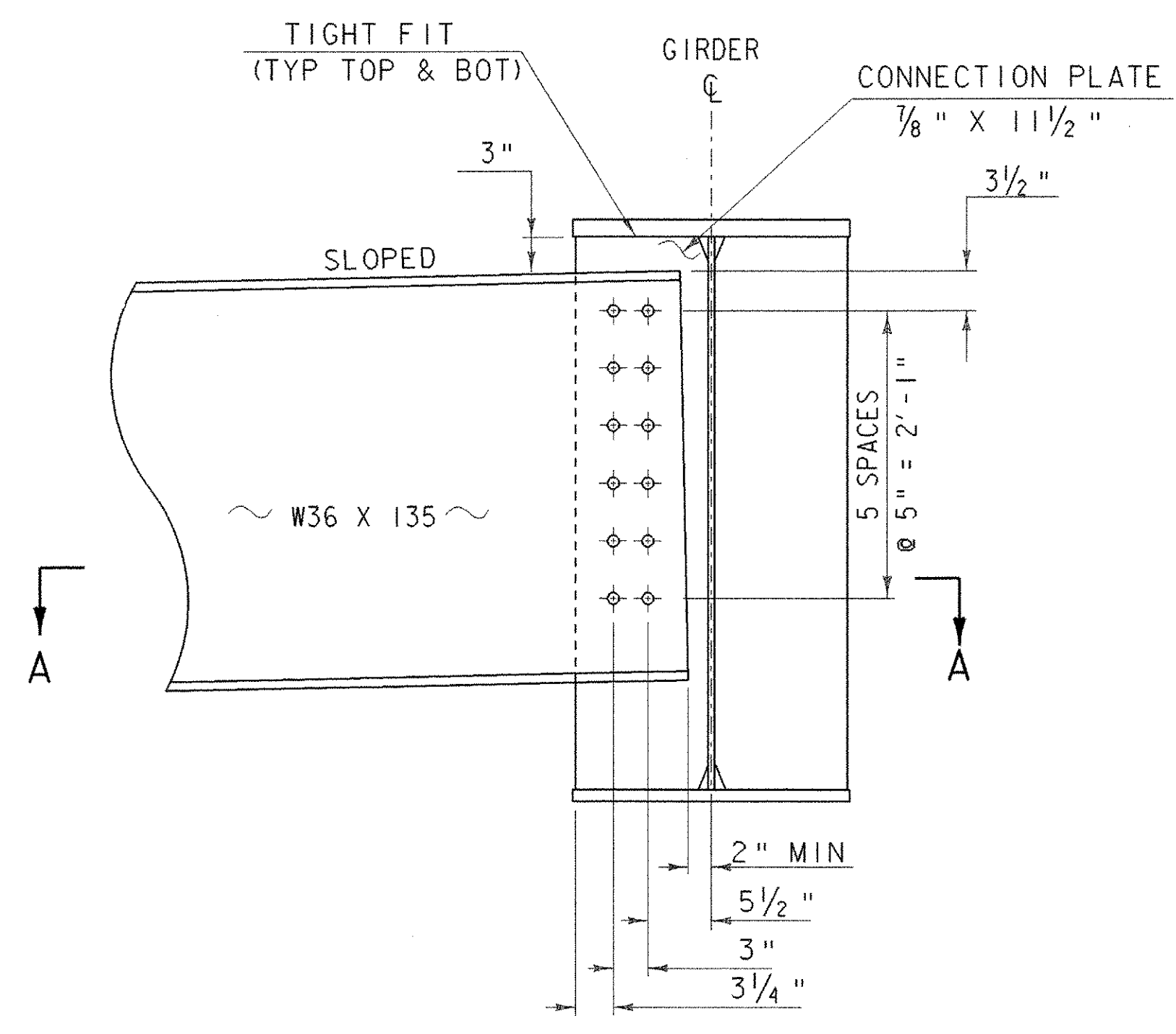
WELD TERMINATION AND COPING DETAILS FOR STEEL MEMBERS
NTS



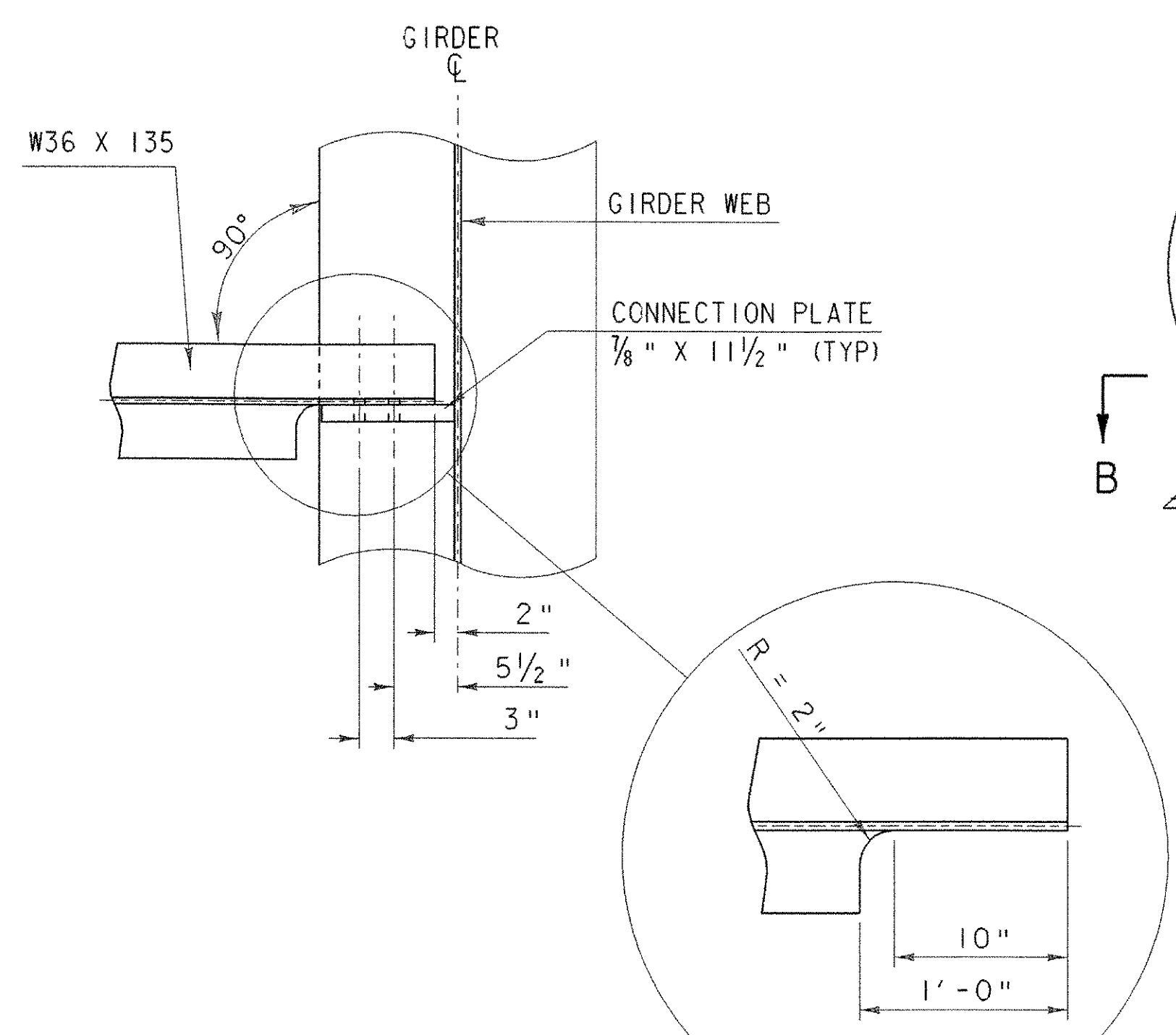
INTERMEDIATE CONNECTION PLATES
NTS



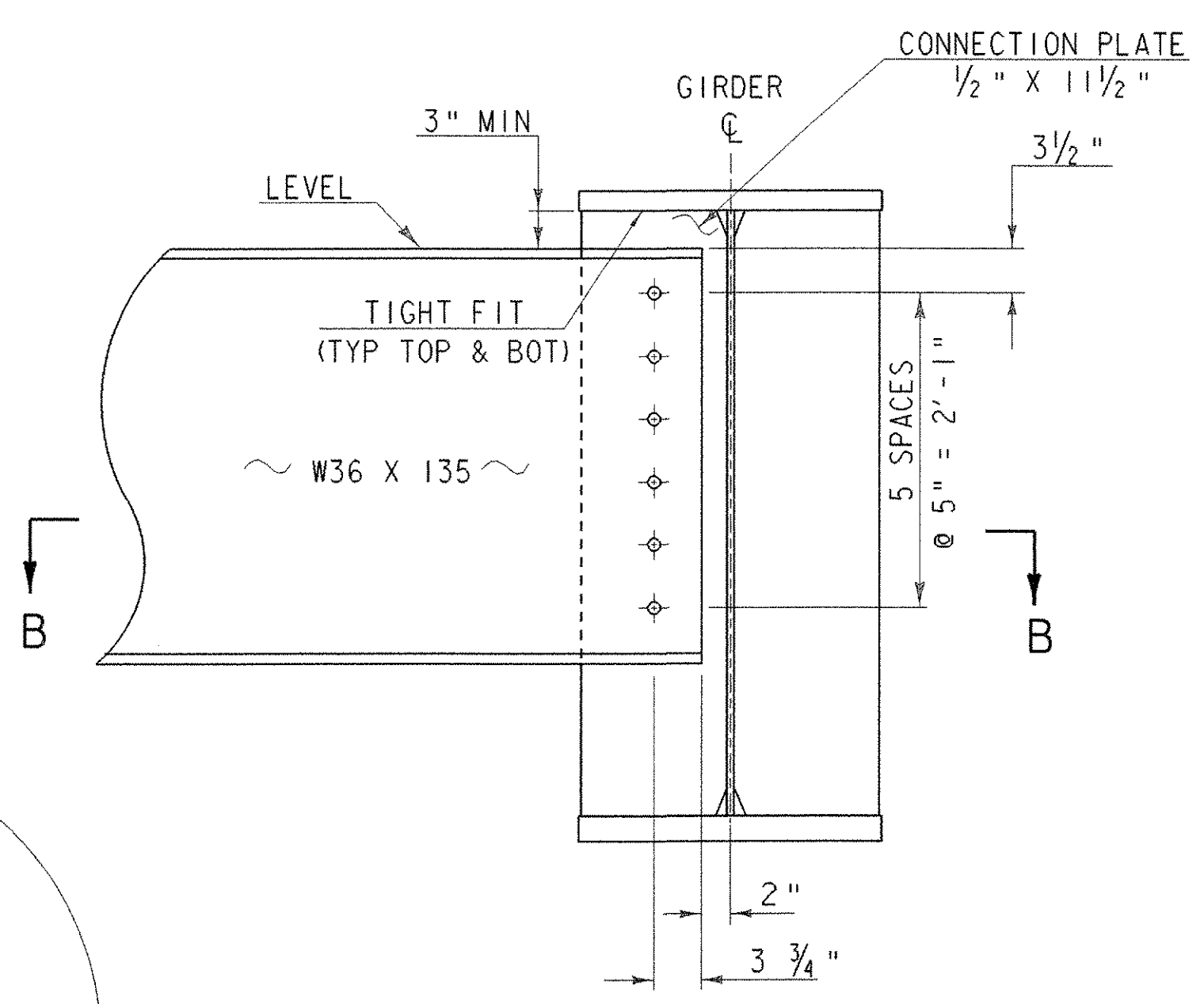
PIER BEARING STIFFENERS/ CONNECTION PLATE
NTS



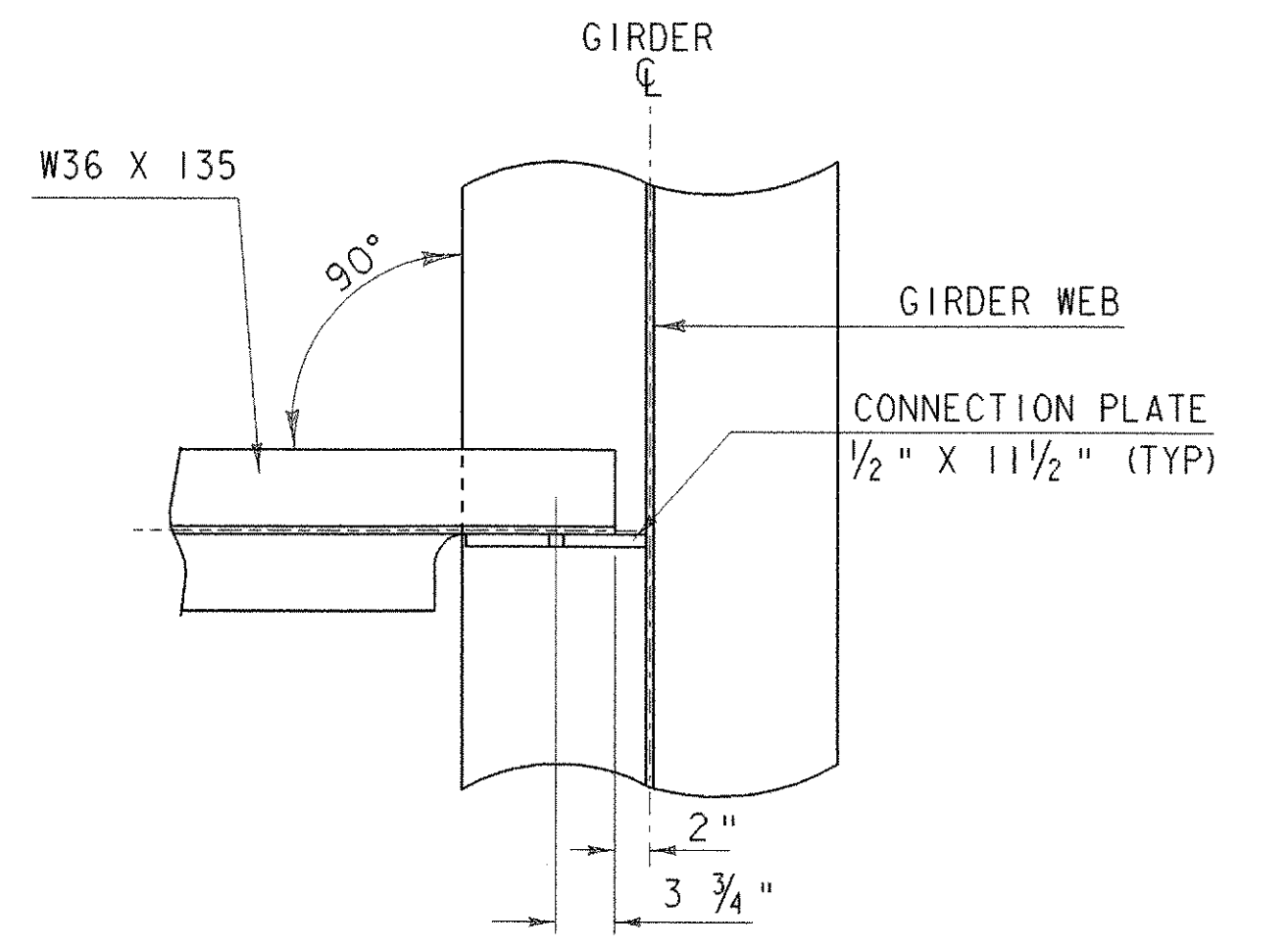
PIER DIAPHRAGM
SCALE 1" = 1'-0"



SECTION A-A
SCALE: 1" = 1'-0"
ALL CONNECTIONS SHALL BE MADE USING 7/8" DIAMETER, AASHTO M164 BOLTS. ALL HOLES IN THE DIAPHRAGMS SHALL BE 5/8" DIAMETER. ALL HOLES IN THE CONNECTION PLATES SHALL BE 1" DIAMETER.



INTERMEDIATE DIAPHRAGM
SCALE 1" = 1'-0"



SECTION B-B
SCALE: 1" = 1'-0"

ALL CONNECTIONS SHALL BE MADE USING 7/8" DIAMETER, AASHTO M164 BOLTS. ALL HOLES IN THE DIAPHRAGMS SHALL BE 5/8" DIAMETER. ALL HOLES IN THE CONNECTION PLATES SHALL BE 1" DIAMETER.

PROJECT: HARTFORD	PROJECT NO.: BRO-BTN 2004 (1)
DESIGN FILE NAME: 89j045/structures/sj045msup.dgn	PLOT DATE: 11-FEB-2005
IPARM FILE NAME: sj045steeldet.i	DRAWN BY: T. HUSK
DESIGNED BY: K. M. HIGGINS	CHECKED BY: K. M. HIGGINS
SQUAD LEADER: C. P. WILLIAMS	SHEET: 39 OF 97
MISCELLANEOUS STEEL DETAILS	