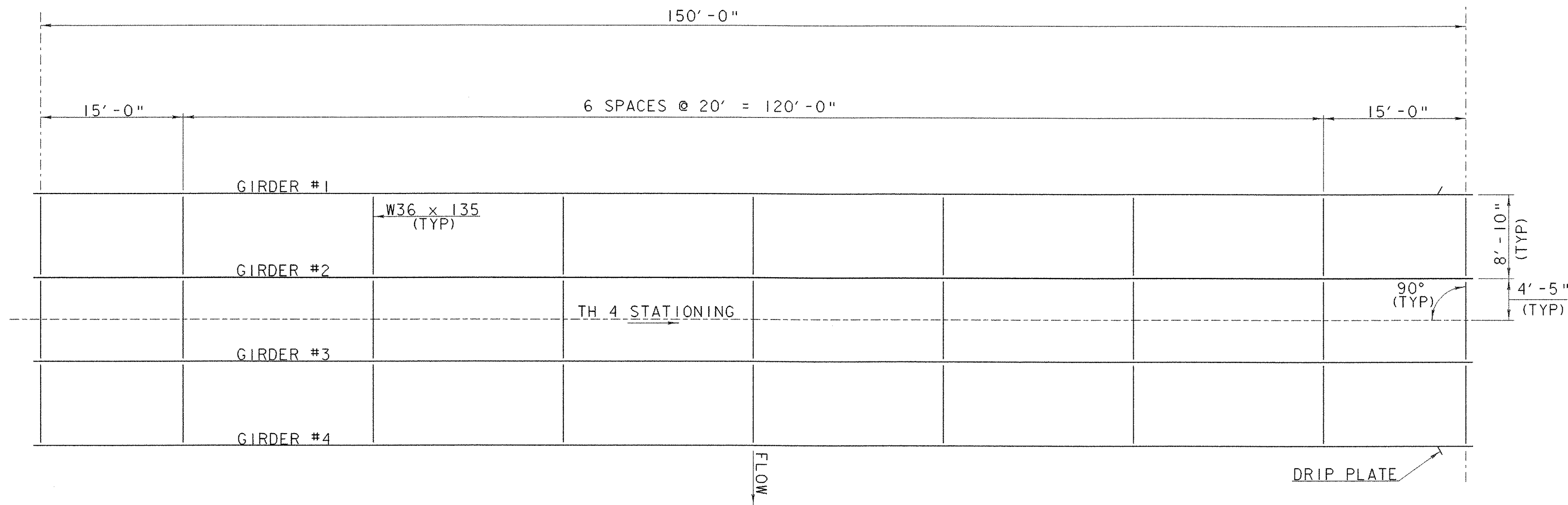


CL BRG. MAINSPAN (SPAN #2)
STA 32+13.00

CL BRG. MAINSPAN (SPAN #2)
STA 33+63.00

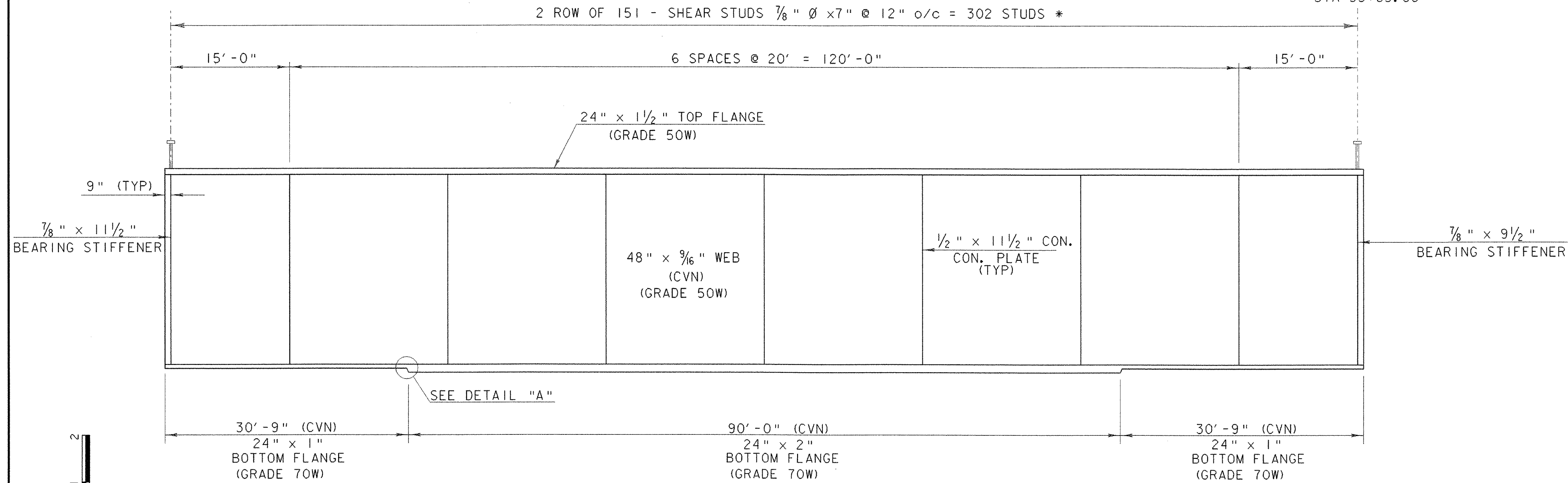


FRAMING PLAN

SCALE $\frac{1}{8}'' = 1'-0''$
1 0 2 4 6 8

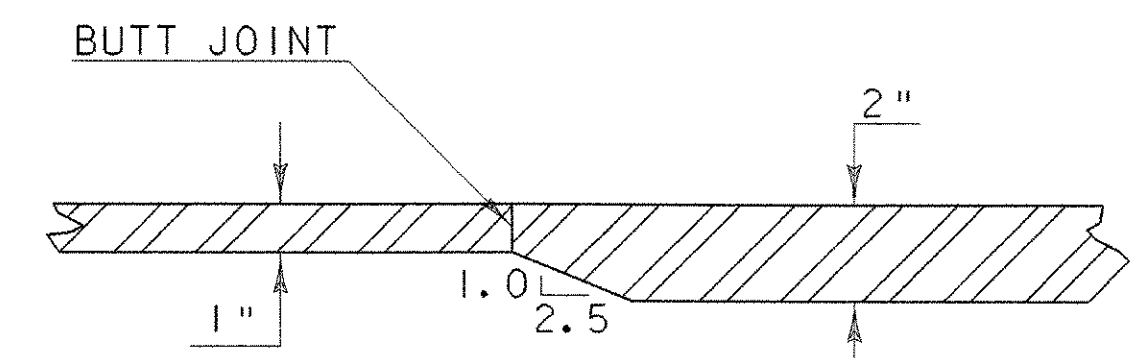
CL BRG. MAINSPAN (SPAN #2)
STA 32+13.00

CL BRG. MAINSPAN (SPAN #2)
STA 33+63.00



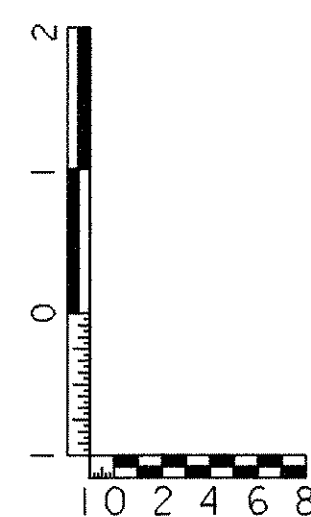
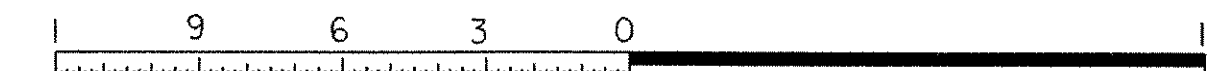
GIRDER ELEVATION

HORIZONTAL SCALE: $\frac{1}{8}'' = 1'-0''$
VERTICAL SCALE: $\frac{3}{4}'' = 1'-0''$



DETAIL "A"

SCALE 3" = 1'-0"



* SEE HAUNCH DETAIL ON SHEET 36.

PROJECT: HARTFORD	PROJECT NO.: BRO-BTN 2004 (1)
DESIGN FILE NAME: 89j045/structures/sj045msup.dgn	PLOT DATE: 11-FEB-2005
IPARM FILE NAME: sj045framing.i	DRAWN BY: T. HUSK
DESIGNED BY: K. M. HIGGINS	CHECKED BY: K. M. HIGGINS
SQUAD LEADER: C. P. WILLIAMS	SHEET: 37 OF 97
MAINSPAN FRAMING PLAN	