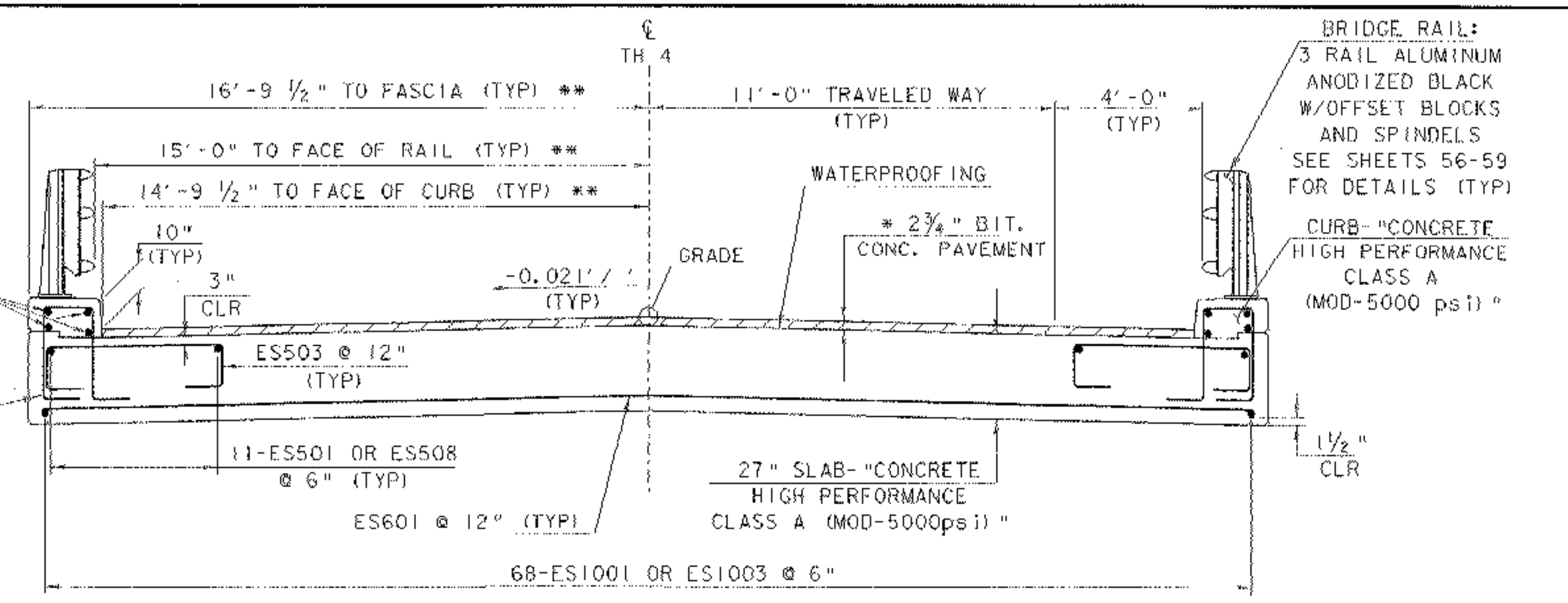


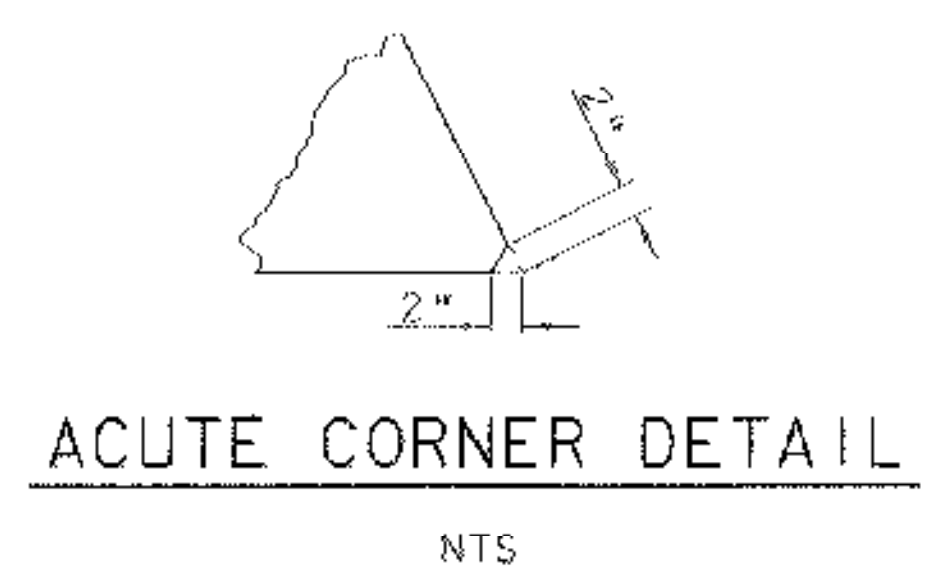
SPAN #1 REINFORCING PLAN

SCALE 3/16" = 1'-0"



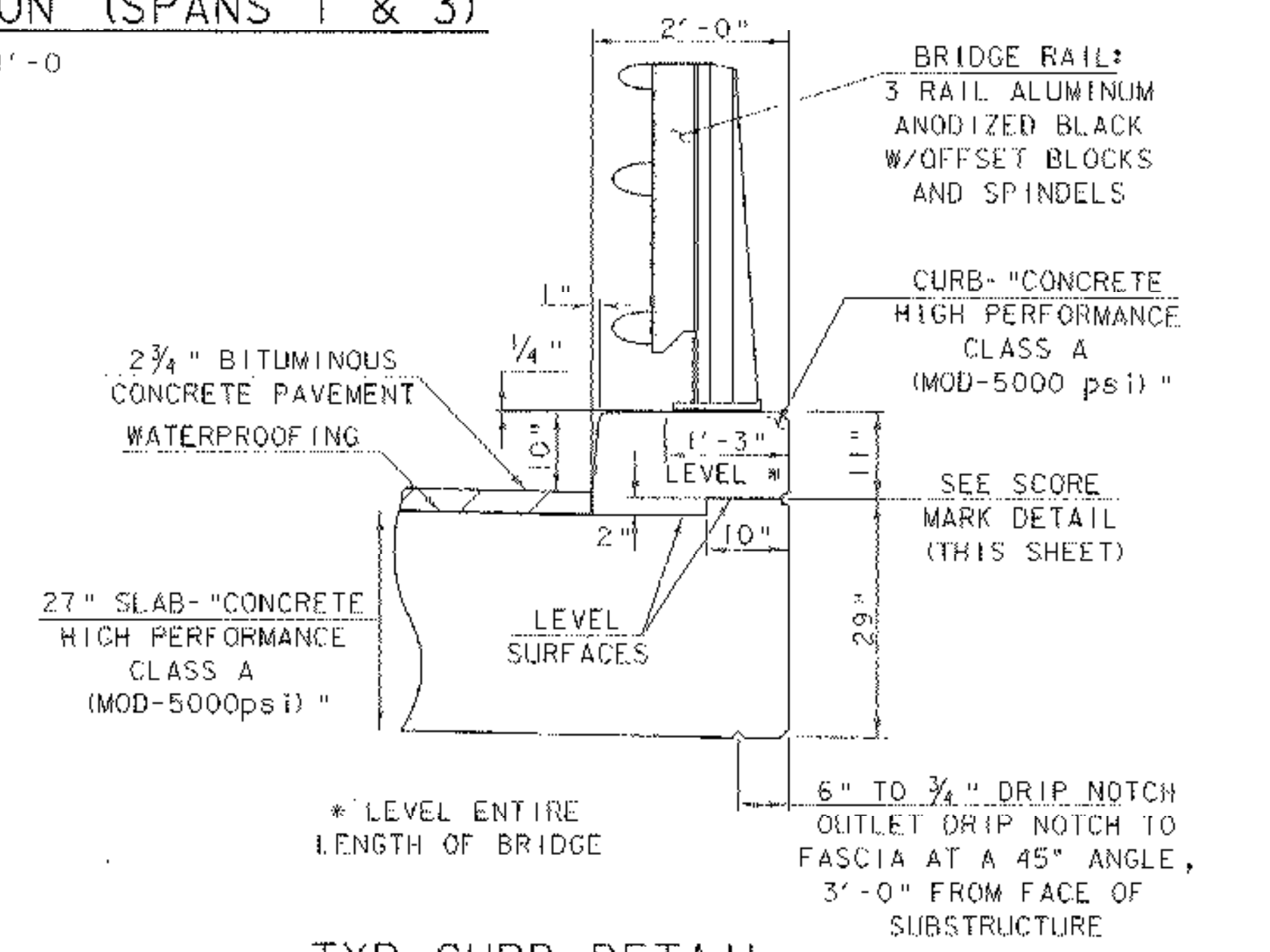
TYPICAL BRIDGE SECTION (SPANS 1 & 3)

SCALE 3/8" = 1'-0"



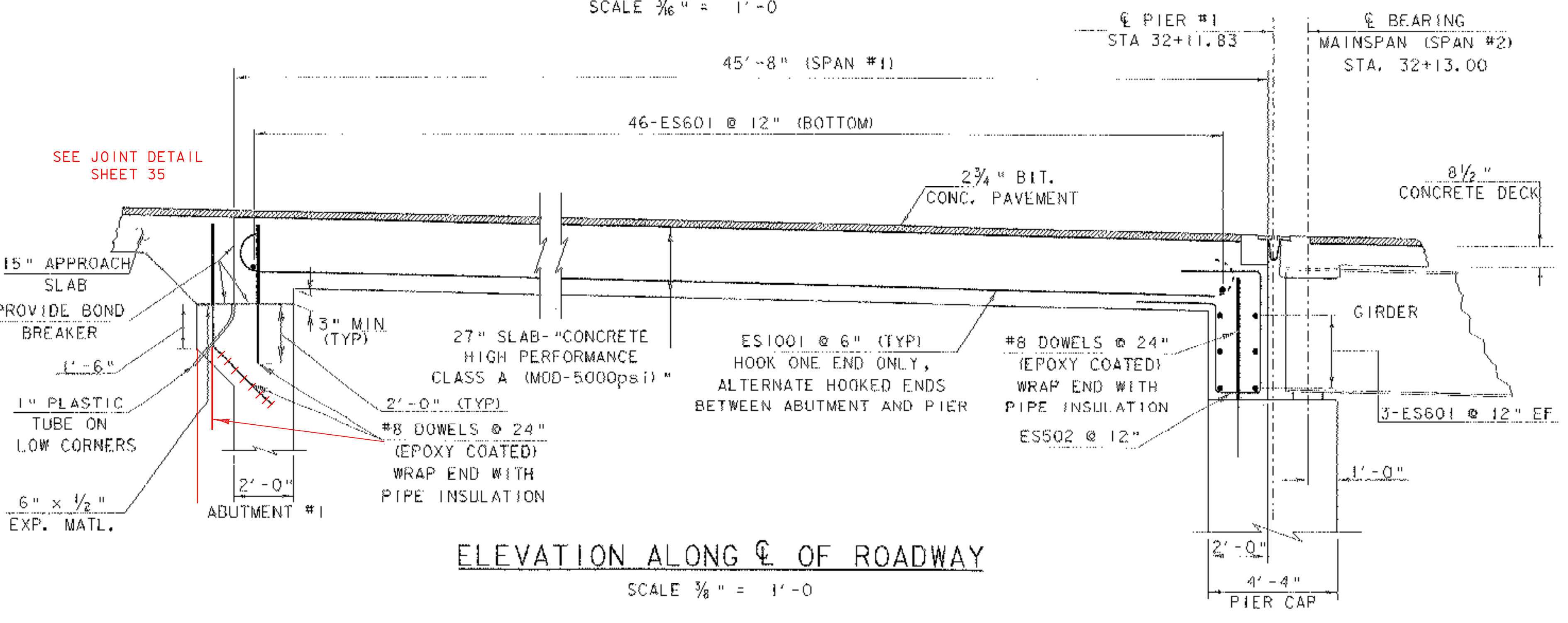
ACUTE CORNER DETAIL

NTS



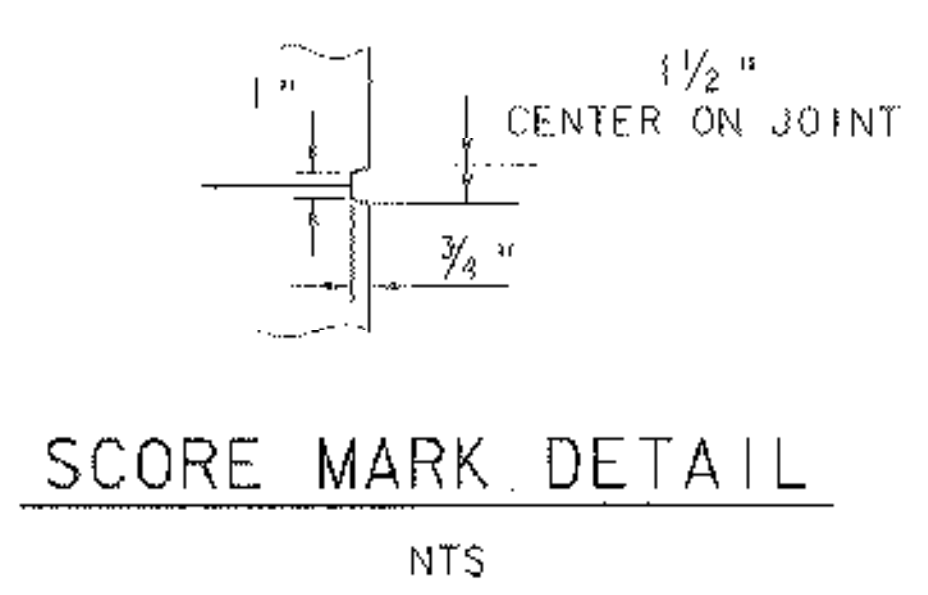
TYP CURB DETAIL

SCALE 3/4" = 1'-0"
CURB DETAIL TYPICAL
SPAN #1 & SPAN #3



ELEVATION ALONG C OF ROADWAY

SCALE 3/8" = 1'-0"

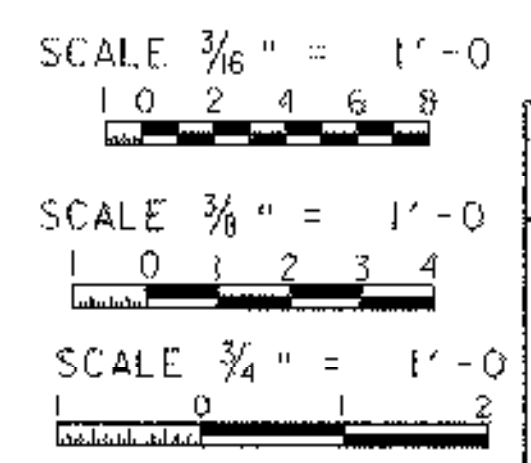


SCORE MARK DETAIL

NTS

NOTE:

- ▲ = CUT TO FIT IN FIELD
- 3" CLR. UNLESS OTHERWISE SPECIFIED ON THE PLANS



PROJECT:	HARTFORD	PROJECT NO.:	BRO-BTN 2004 (1)
DESIGN FILE NAME:	89j045/structures/sj045sup.dgn	PLOT DATE:	11-FEB-2005
IPARM FILE NAME:	sj045span1.i	DRAWN BY:	T. HUSK
DESIGNED BY:	K. M. HIGGINS	CHECKED BY:	K. M. HIGGINS
SQUAD LEADER:	C. P. WILLIAMS	SHEET:	34 OF 97
SPAN #1 DETAILS			