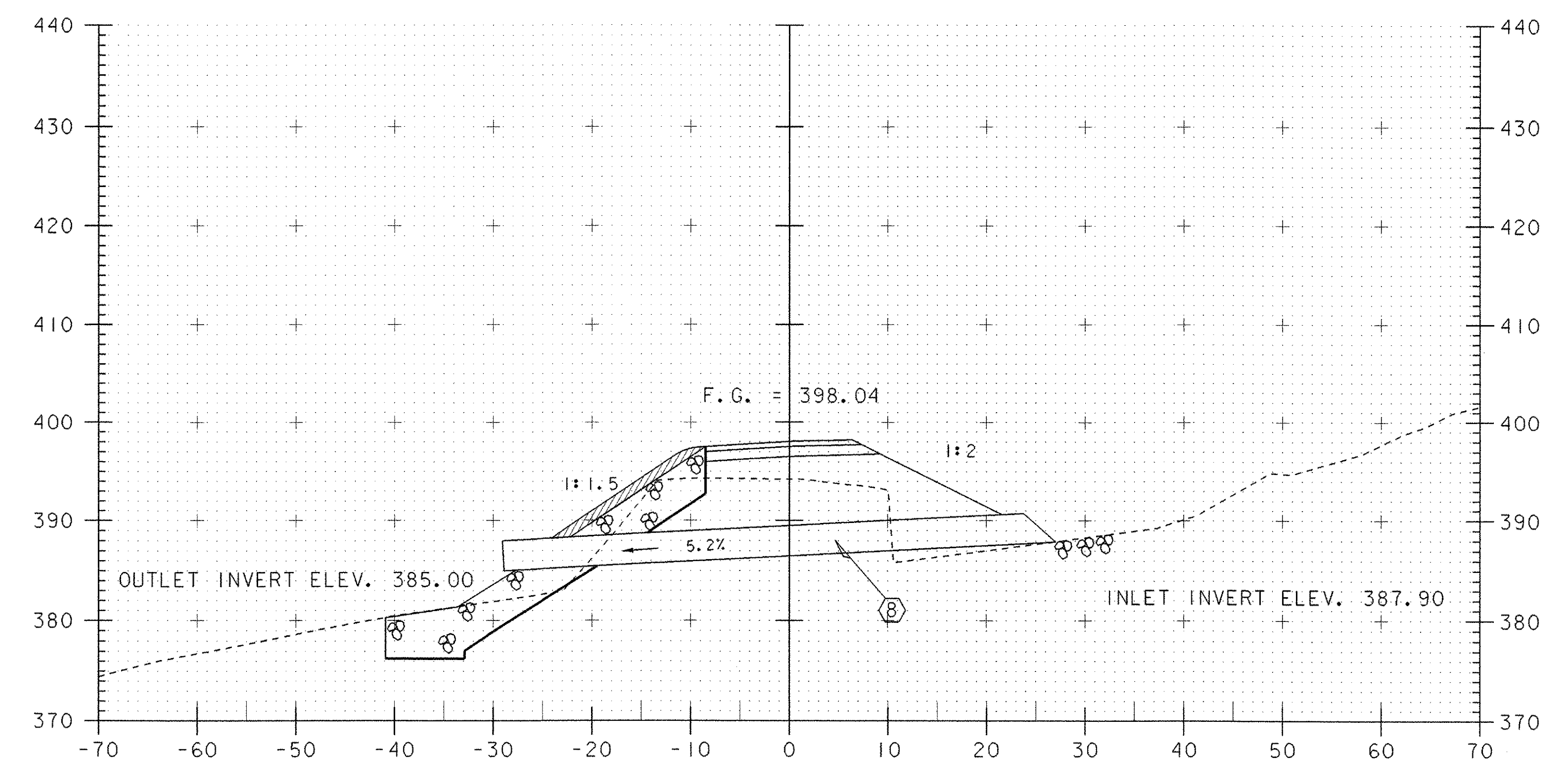


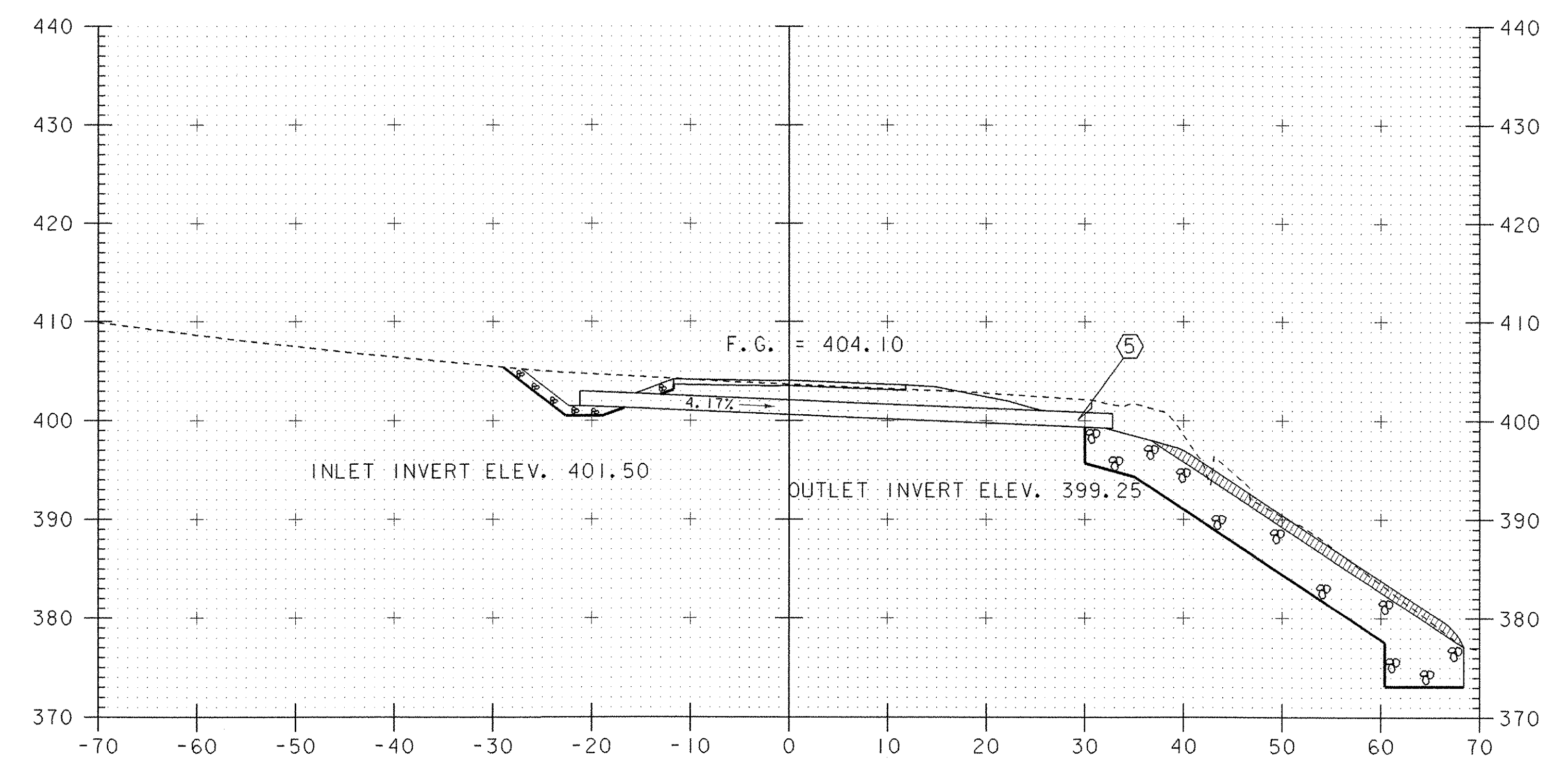
STA 30+09 20.85' LT  
SECTION THROUGH PIPE @  $\phi$  FIELD DRIVE)



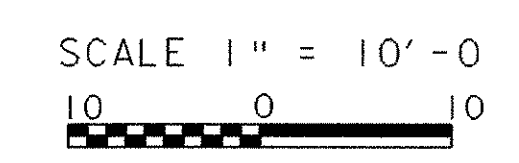
10+89  
(SKEWED PIPE SECTION - DRIVE STA 10+75 RT - 10+98 LT)



28+60  
(SKEWED PIPE SECTION - ML STA 28+40 LT - 28+81 RT)



5+60  
(SKEWED PIPE SECTION - TH5 STA 5+53 LT - 5+71 RT)



PROJECT: HARTFORD	PROJECT NO.: BRO-BTN 2004(1)
DESIGN FILE NAME: 89j045/structures/sj045xsl.dgn	PLOT DATE: 11-FEB-2005
IPARM FILE NAME: sj045pipsec.i	SURVEY DATE: 5/93
SURVEYED BY: R. MOREAU	DRAWN BY: KMH
SQUAD LEADER: C.P. WILLIAMS	SHEET: 23 OF 97
DRAINAGE PIPE SECTIONS	