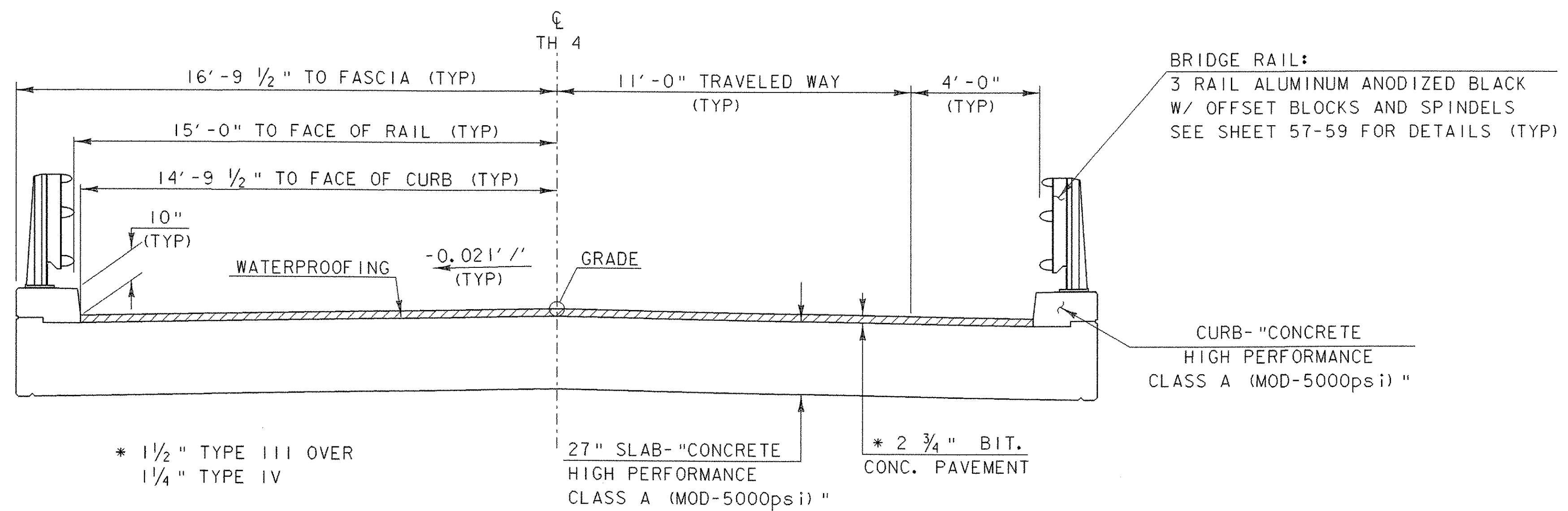
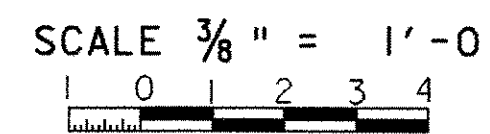
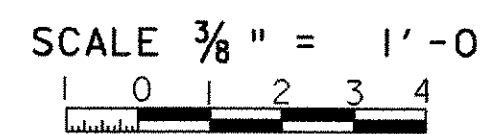


TYPICAL BRIDGE SECTION MAIN SPAN (SPAN #2)



TYPICAL BRIDGE SECTION (SPANS 1 & 3)



PROJECT: HARTFORD	PROJECT NO.: BRO-BTN 2004(I)
DESIGN FILE NAME: 89j045/structures/sj045typ.dgn	PLOT DATE: 11-FEB-2005
IPARM FILE NAME: sj045typ.i	SURVEY DATE: 5/93
SURVEYED BY: R. MOREAU	DRAWN BY: K.M. HIGGINS
SQUAD LEADER: C.P. WILLIAMS	SHEET: 6 OF 97
BRIDGE TYPICAL SECTIONS	