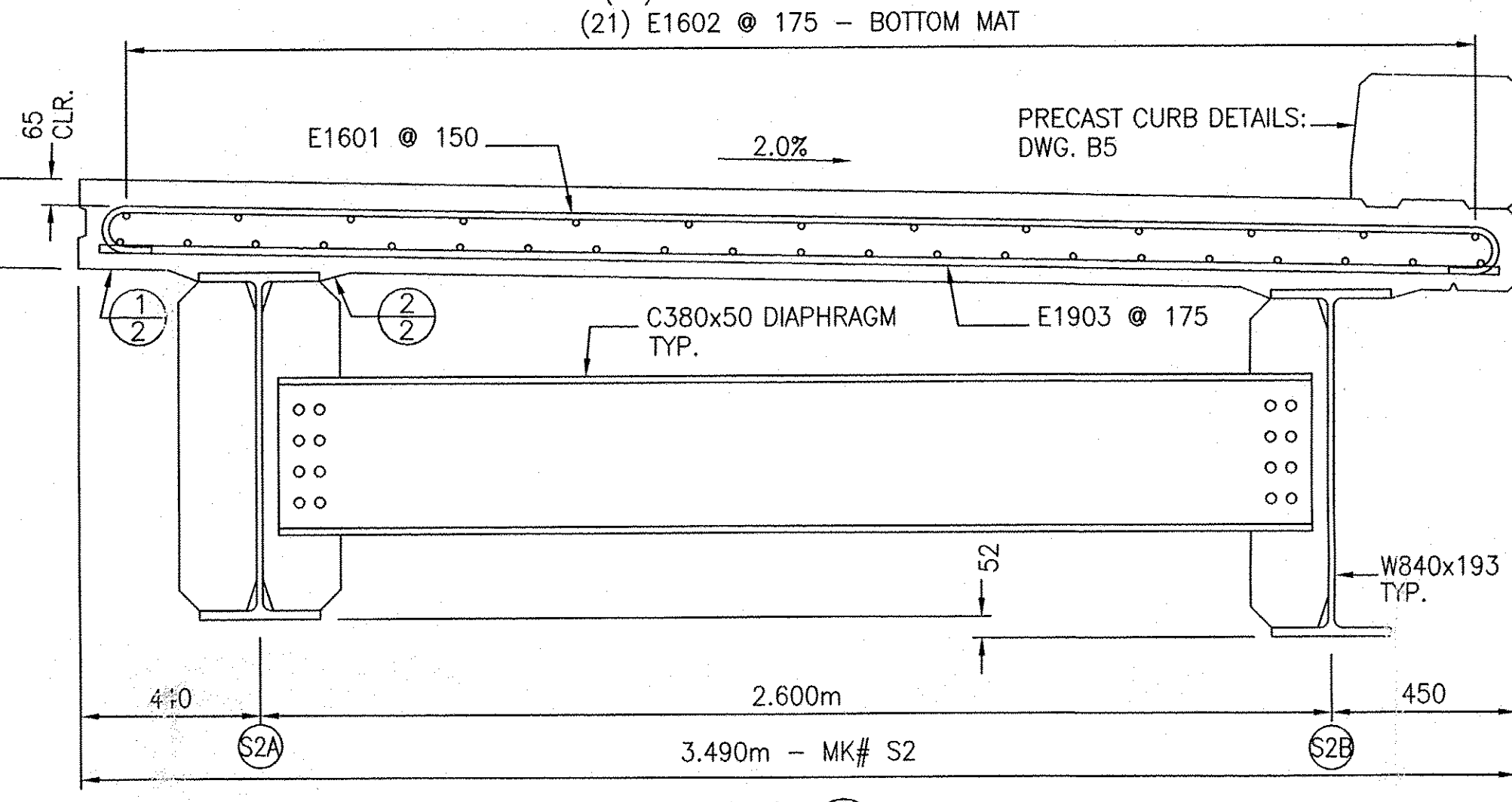
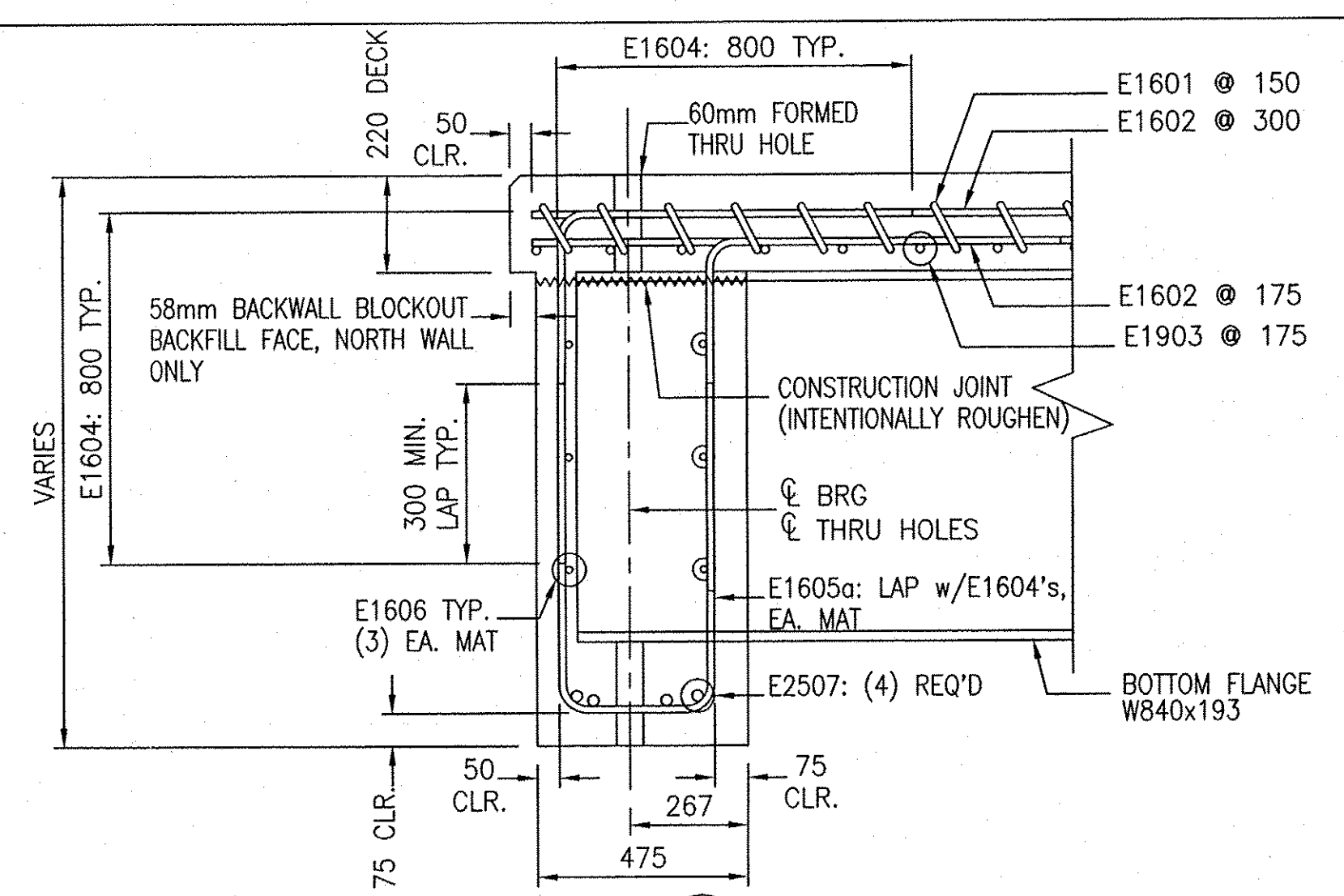


**DECK REINFORCEMENT - MK# S2**  
 PLAN VIEW  
 PREFIX 'E' DENOTES EPOXY-COATED REINFORCEMENT  
 40mm CLEAR COVER UNLESS NOTED OTHERWISE

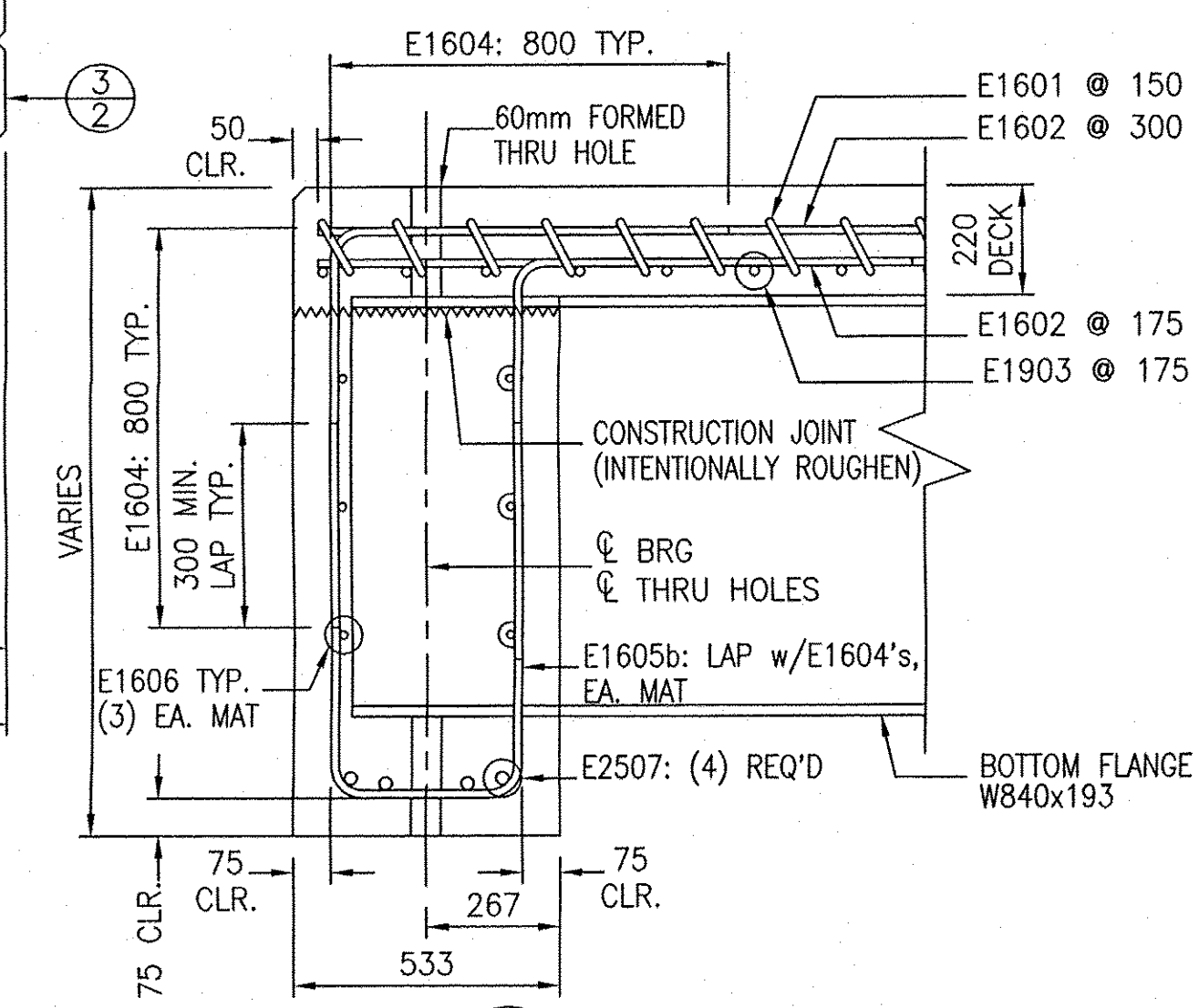
REINFORCEMENT SCHEDULE: SEE DWG. B6



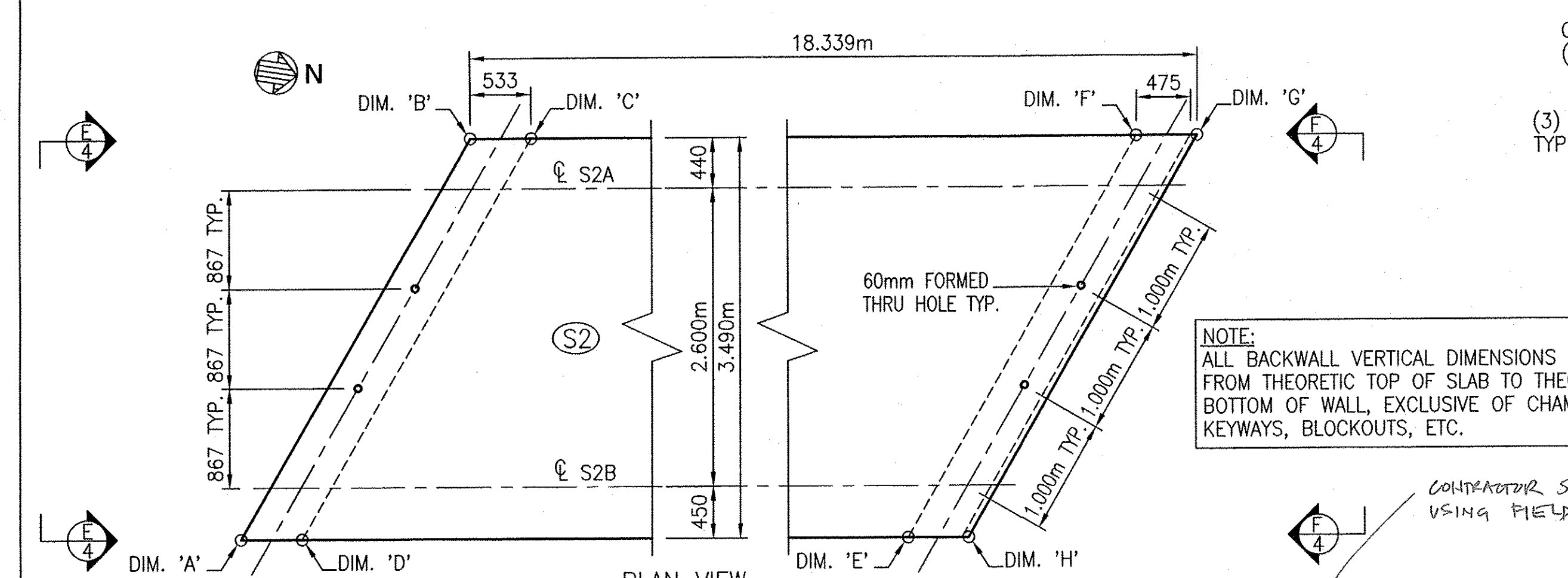
**SECTION A**  
 MK# S2  
 FACING NORTH



**SECTION C**  
 MK# S2  
 NORTH BACKWALL  
 (SECONDARY POUR BY FMC)



**SECTION D**  
 MK# S2  
 SOUTH BACKWALL  
 (SECONDARY POUR BY FMC)

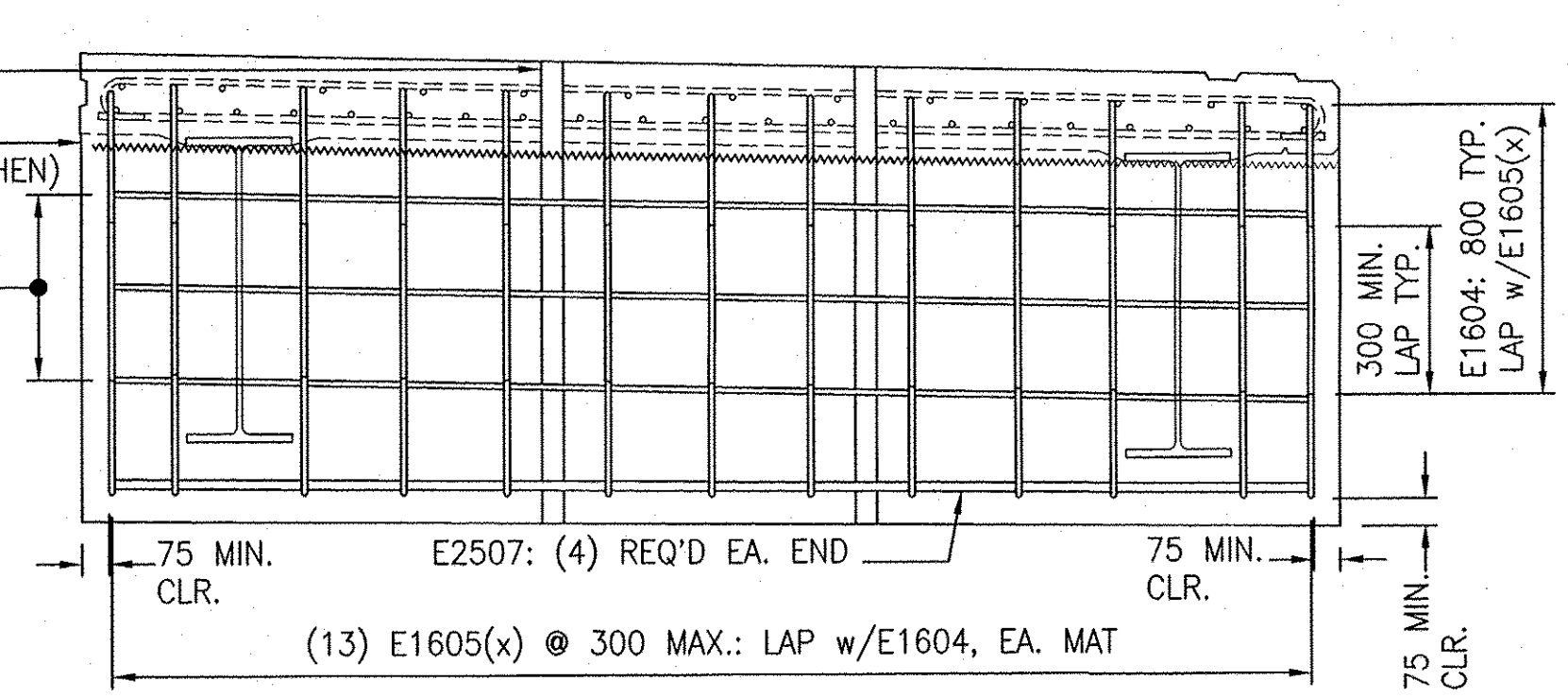


**PLAN VIEW**

**NOTE:**  
 ALL BACKWALL VERTICAL DIMENSIONS TAKEN FROM THEORETIC TOP OF SLAB TO THEORETIC BOTTOM OF WALL, EXCLUSIVE OF CHAMFERS, KEYWAYS, BLOCKOUTS, ETC.

CONTRACTOR SHALL CONFIRM DIMENSIONS USING FIELD MEASUREMENTS

**NOTE TO CONTRACTOR:**  
 THIS SHOP DRAWING REPRESENTS OUR INTERPRETATION OF THE PLANS AND SPECIFICATIONS, AND OUR CONTRACT REQUIREMENTS FOR THIS PROJECT. PRIOR TO THE MANUFACTURE OF ANY ITEM FOR THIS PROJECT, ALL DIMENSIONS, METHODS OF CONSTRUCTION AND EXISTING CONDITIONS MUST BE CHECKED, CORRECTED AND/OR APPROVED BY OUR CUSTOMER. NO ITEM WILL BE SCHEDULED FOR PRODUCTION UNTIL WE HAVE BEEN NOTIFIED IN WRITING THAT OUR DRAWINGS HAVE BEEN APPROVED FOR FABRICATION. APPROVAL DELAYS WILL RESULT IN FABRICATION DELAYS. ANY ITEM THAT IS FABRICATED IN ACCORDANCE WITH APPROVED SHOP DRAWINGS THAT DOES NOT FIT THE CUSTOMER'S REQUIREMENTS WILL BE REMADE AND SHIPPED TO THE PROJECT ONLY AT THE CUSTOMER'S EXPENSE, AND ONLY AFTER RECEIPT OF A PURCHASE ORDER TO COVER THE ADDED EXPENSE. WE ASSUME NO RESPONSIBILITY FOR THE ALTERING OF OUR PRODUCTS TO ACCOMMODATE OTHER TRADES UNLESS REQUIRED INFORMATION IS FURNISHED AND SHOWN ON OUR SHOP DRAWINGS AT THE TIME THEY ARE APPROVED FOR FABRICATION BY OUR CUSTOMER.  
 ALL DATA CONTAINED HEREIN IS PROPRIETARY TO AND OWNED BY THE FORT MILLER CO., INC. AND IS SUBMITTED IN CONFIDENCE FOR EVALUATION PURPOSES ONLY. THIS DATA CANNOT BE DISCLOSED OR COPIED WITHOUT EXPRESS WRITTEN PERMISSION FROM FORT MILLER, FM COPYRIGHT (C) 2010.



**ELEVATION B**  
 MK# S2

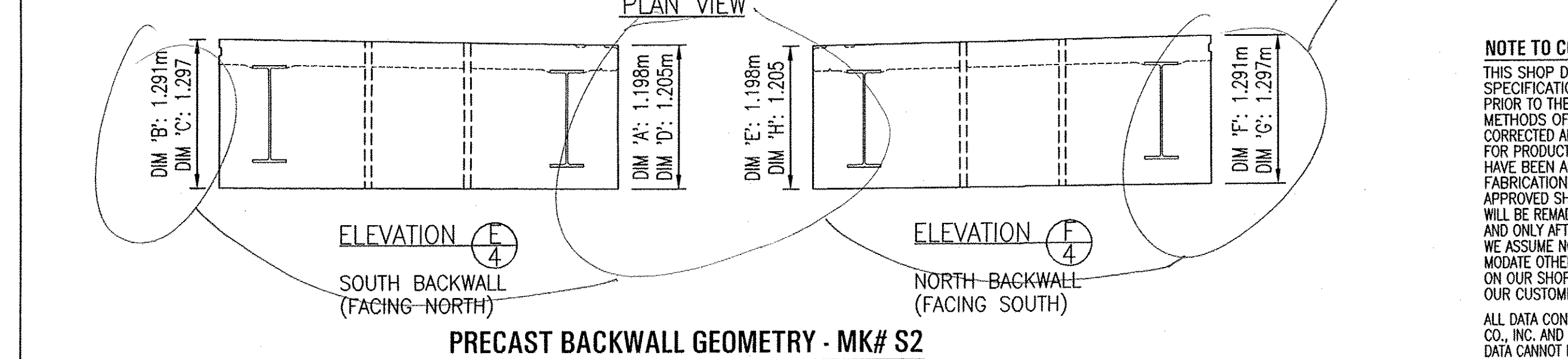
SCHEMATIC: PRECAST BACKWALL REINFORCEMENT  
 SOUTH END SHOWN, NORTH WALL SIMILAR

VAOT PROJECT FH 010-1(2): ITEM NO. 900.675

- Reviewed
- Rejected
- Furnish as Corrected
- Revise and Resubmit
- Submit Specified Item

This review is only for general conformance with the design concept and the information given in the Construction Documents. Corrections or comments made on the shop drawings during the review do not relieve the contractor from compliance with the requirements of the plans and specifications. Review of a specific item shall not include review of an assembly of which the item is a component. The Contractor is responsible for dimensions to be confirmed and controlled at the jobsite; information that pertains solely to the fabrication process or to the means, methods, techniques, sequences and procedures of construction, coordination of the Work with that of all other trades and performing all Work in a safe and satisfactory manner.

McFarland-Johnson, Inc.  
 Date: 7/9/2010  
 By: RMR



**PRECAST BACKWALL GEOMETRY - MK# S2**

NO.	DATE	BY	REVISIONS
6-25-10	MAW		BACKWALL DIMENSIONS
THE FORT MILLER Co., Inc. P.O. BOX 98 SCHUYLERVILLE, NY 12871 (518) 695-5000 (518) 695-4970 FAX			F.M. JOB NO. 11579 SHEET NO. 4 DATE: 6-1-10 DRN. BY: M. WERN CHK. BY: S. HARRIGAN SCALE: NONE
PROJECT: TH 18 OVER SOUTH BRANCH MIDDLEBURY RIVER TOWN OF RIPTON, COUNTY OF ADDISON, VT SUBJECT: DETAILS: MK# S2 CONTRACTOR: CCS CONSTRUCTORS, LLC ENGINEER/ARCHITECT: VERMONT AGENCY OF TRANSPORTATION			DWG. NO. B4

Wendy Haugeto  
 WENDY HAUGETO  
 STATE OF VERMONT PE LICENSE 66451  
 AREA ENGINEERING, INC.  
 186 HOLLOW ROAD  
 SKILLMAN, NJ 08558