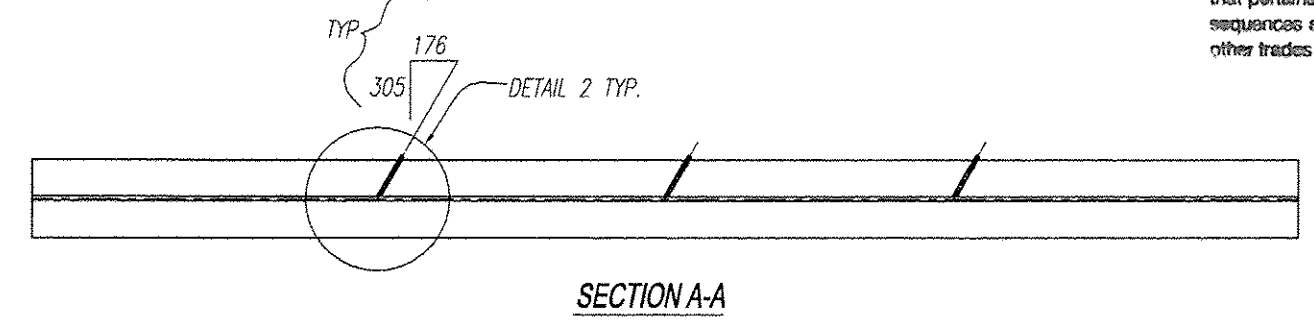


This review is only for general conformance with the design concept and the information origin in the Construction Documents. Comments or corrections made on the shop drawings during this review do not relieve the contractor from compliance with the requirements of the plans and specifications. Review of a specific item shall not include review of an assembly of which the item is a component. The Contractor is responsible for dimensions to be confirmed and controlled at the jobsite. Information that pertains solely to the fabrication process or to the means, methods, techniques, sequences and procedures of construction; coordination of the Work with that of all other trades and performing all Work in a safe and satisfactory manner.

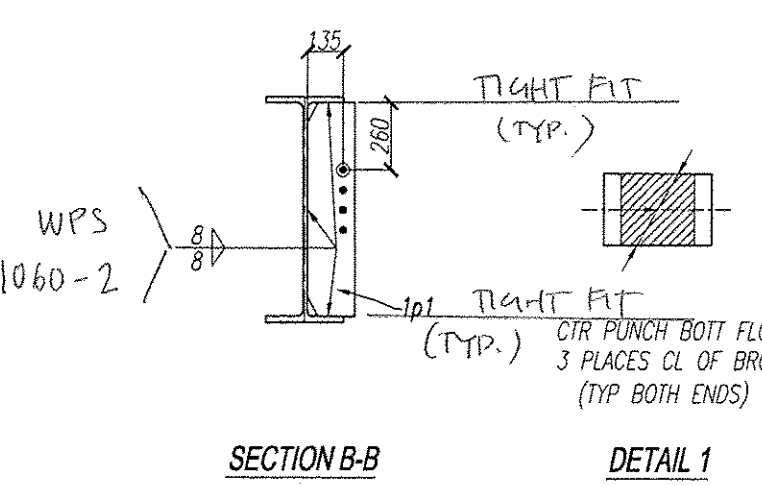
McFarland-Johnson, Inc.
 Date: 7/9/2010
 By: R.H.K.

WORK THIS DWG WITH DWG S2A

- NOTES:
 1. FOR GENERAL NOTES SEE DWG 011
 2. ALL DIMENSIONS (RD'S) ARE ALONG BOTTL FLG. PRIOR TO CAMBER.
 3. CLEAN UP ON DWG PRIOR TO FRAME ASSEMBLY.
 4. LOCATE ON DWG E1

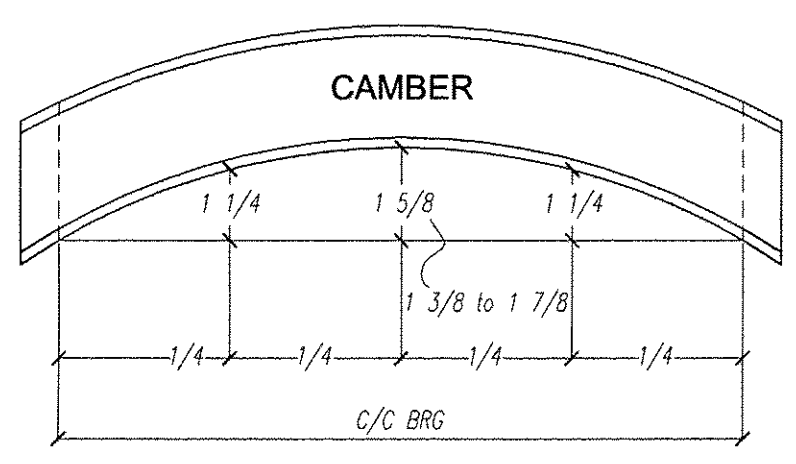


SECTION A-A



SECTION B-B

DETAIL 1



DETAIL 2

NO.	REV.	BY	DATE
1			

STS STEEL, INC.
 ENGINEERS • FABRICATORS • ERECTORS
 P.O. BOX 370-2800
 ANN ARBOR, MI 48106-0280

PROJECT: THE FORT MILLER CO., INC.
 PROJECT: 1060-2
 DATE OF ISSUE: 07/09/2010
 DRAWING NO.: 1060-2
 SHEET NO.: 1560
 TOTAL SHEETS: 1560