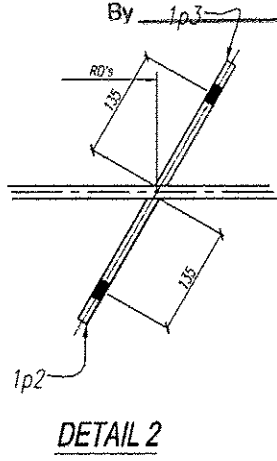
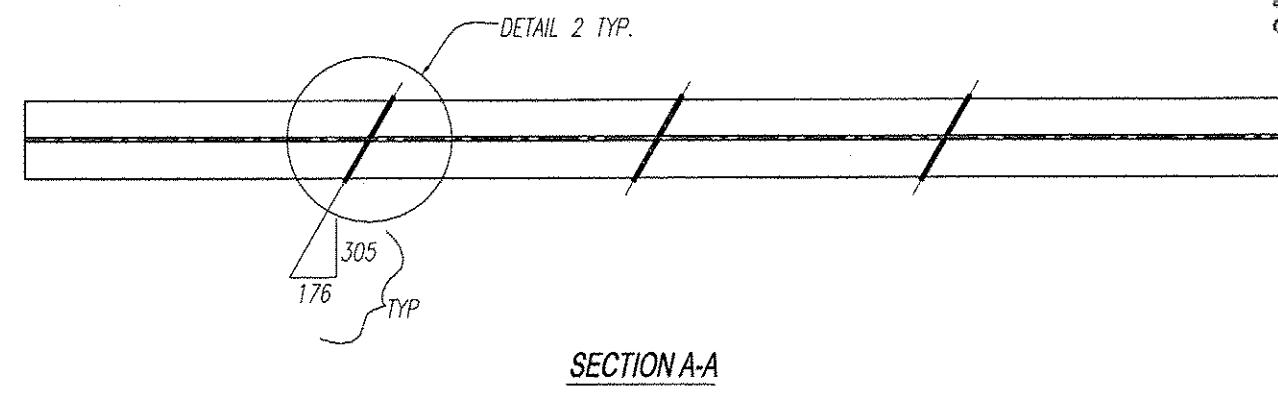


Reviewed
 Furnish as Corrected
 Revise and Resubmit
 Submit Specified Item

This review is only for general conformance with the design concept and the information given in the Construction Documents. Corrections or comments made on the shop drawings during this review do not relieve the contractor from compliance with the requirements of the plans and specifications. Review of a specific item shall not include review of an assembly of which the item is a component. The Contractor is responsible for dimensions to be confirmed and completed at the jobsite. Information that pertains solely to the fabrication process or to the means, methods, techniques, sequence and procedures of construction, coordination of the Work with that of all other trades and performing all Work in a safe and satisfactory manner.

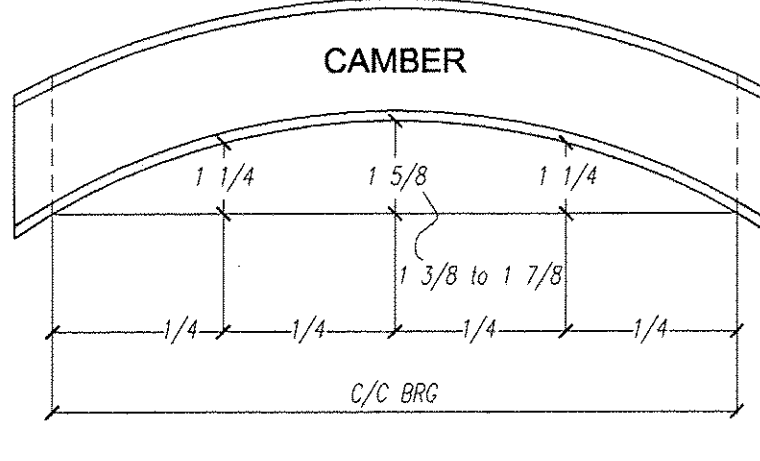
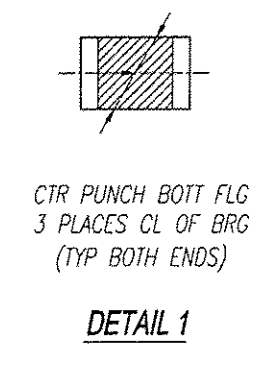
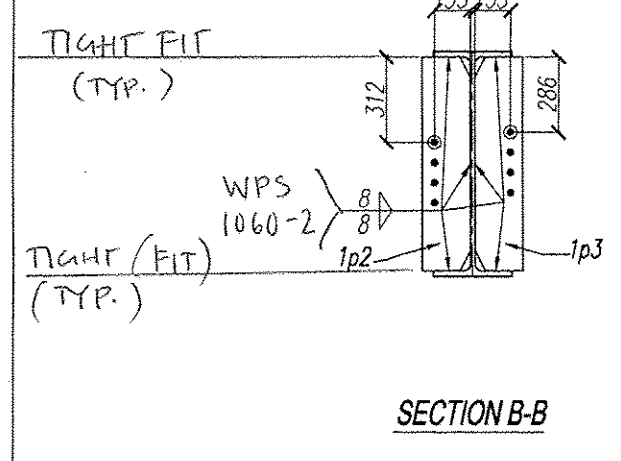
BILL OF MATERIALS									
SHOP BILL									
ITEM NO.	QTY	DESCRIPTION	LENGTH M	REMARKS	MATERIAL GRADE	MATERIAL WEIGHT LB	ITEM WEIGHT LB	HEAT NO.	
1	52	FRAME							
1	52	W	18	431					
3	192	PL	12	1/2					
3	192	PL	12	1/2					
152	192	PL	12	1/2					
1	52	W	18	431					
3	192	PL	12	1/2					
152	192	PL	12	1/2					
3	261	C	2	82					
24	187-222	WELT	27	1/4					

McFarland-Johnson, Inc.
 Date: 7/9/2010
 By: RMR



WORK THIS DWG WITH DWG S2B

NOTES:
 1. FOR GENERAL NOTES SEE DWG 011
 2. ALL DIMENSIONS (FO'S) ARE ALONG BOTTOM FLG PRIOR TO CAMBER
 3. CLEAN PIER ONT PRIOR TO FRAME ASSEMBLY
 4. LOCATE ON DWG E1



NO.	DATE	BY	REVISION
			1. STS STEEL, INC.
			ENGINEERS • FABRICATORS • ERECTORS
			PH. (214) 270-2800 FAX. (214) 270-2804
			ADDRESS: 521
			CORP. ST.
			ARCHITECT: HENRY ARCHITECTS OF HOUSTON
			CLIENT: THE FORT MALLER CO., INC.
			PROJECT: NEW 10-10-10 IN 10 10 10 10 10 10 10 10 10 10
			TOWN OF BAYOU STATE OF TEXAS
			DATE: 10/10/10
			SCALE: 1/4" = 1'-0"
			DATE: 10/10/10
			SCALE: 1/4" = 1'-0"
			DATE: 10/10/10
			SCALE: 1/4" = 1'-0"