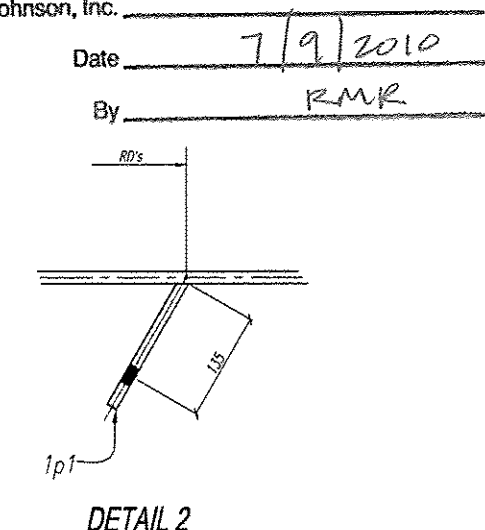
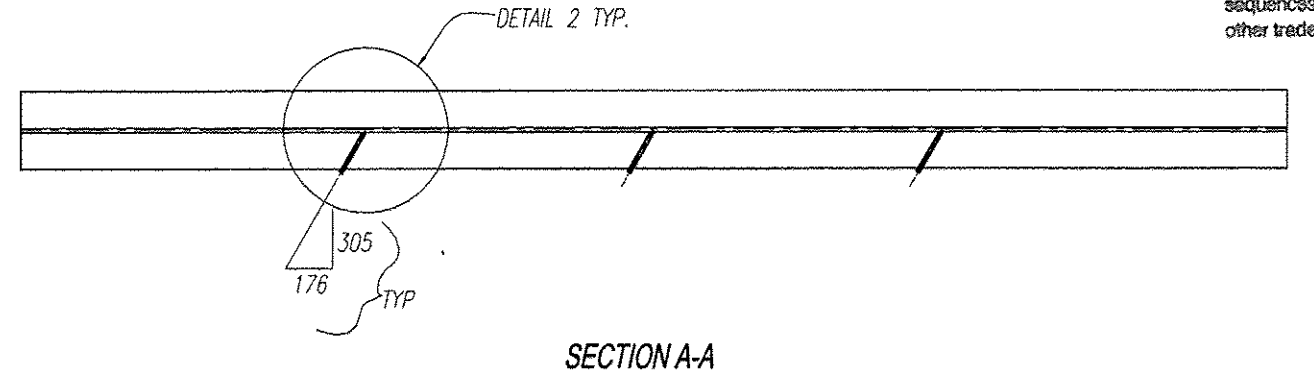


Reviewed
 Rejected
 Furnish as Corrected
 Revise and Resubmit
 Submit Specified Item

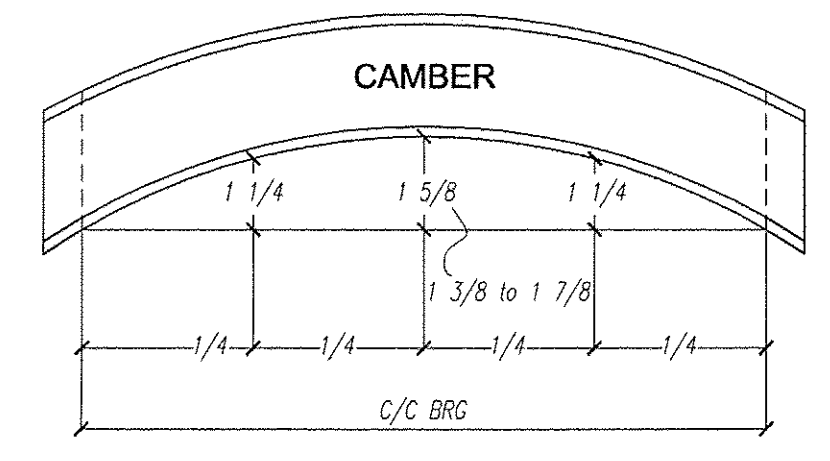
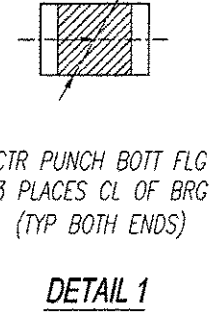
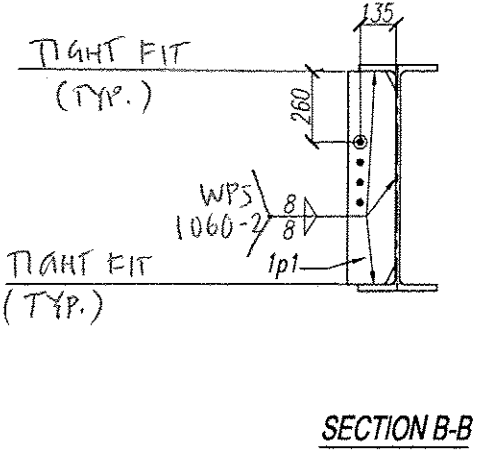
This review is only for general conformance with the design concept and the information given in the Construction Documents. Comments or corrections made on the shop drawings during this review do not relieve the contractor from compliance with the requirements of the plans and specifications. Review of a specific item shall not include review of an assembly of which the item is a component. The Contractor is responsible for dimensions to be confirmed and consistent at the job site. Information that pertains solely to the fabrication process or to the means, methods, techniques, sequences and procedures of construction; coordination of the Work with that of other trades and performing all Work in a safe and satisfactory manner.

BILL OF MATERIALS									
ITEM NO.	QTY	UNIT	DESCRIPTION	LENGTH M	REMARKS	MATERIAL		ITEM WEIGHT KG	HEAT NO
						QTY	WEIGHT KG		
1	1	S1	FRAME	17807					
2	1	PL	12.5x100	17807					
3	1	PL	12.5x100	17807					
4	1	PL	12.5x100	17807					
5	1	PL	12.5x100	17807					
6	1	PL	12.5x100	17807					
7	1	PL	12.5x100	17807					
8	1	PL	12.5x100	17807					
9	1	PL	12.5x100	17807					
10	1	PL	12.5x100	17807					
11	1	PL	12.5x100	17807					
12	1	PL	12.5x100	17807					
13	1	PL	12.5x100	17807					
14	1	PL	12.5x100	17807					
15	1	PL	12.5x100	17807					
16	1	PL	12.5x100	17807					
17	1	PL	12.5x100	17807					
18	1	PL	12.5x100	17807					
19	1	PL	12.5x100	17807					
20	1	PL	12.5x100	17807					
21	1	PL	12.5x100	17807					
22	1	PL	12.5x100	17807					
23	1	PL	12.5x100	17807					
24	1	PL	12.5x100	17807					



WORK THIS DWG WITH DWG S1B

NOTES:
 1. FOR GENERAL NOTES SEE DWG 001
 2. ALL DIMENSIONS (RD'S) ARE ALONG BOTTL FLG. PRIOR TO CAMBER
 3. CLEAN UP PRIOR TO FRAME ASSEMBLY
 4. LOCATE ON DWG E1



NO.	REV.	DATE	BY
1		7/9/2010	RMR

STS STEEL, INC.
 ENGINEERS • FABRICATORS • ERECTORS
 10000 W. 100th St. • Overland Park, KS 66214-3000
 913.646.2000 • Fax 913.646.2001
 www.stssteel.com

PROJECT: THE FORT MILLER CO. INC.
 DRAWING: THE FORT MILLER CO. INC.
 SHEET: S1A
 DATE: 5-11-10