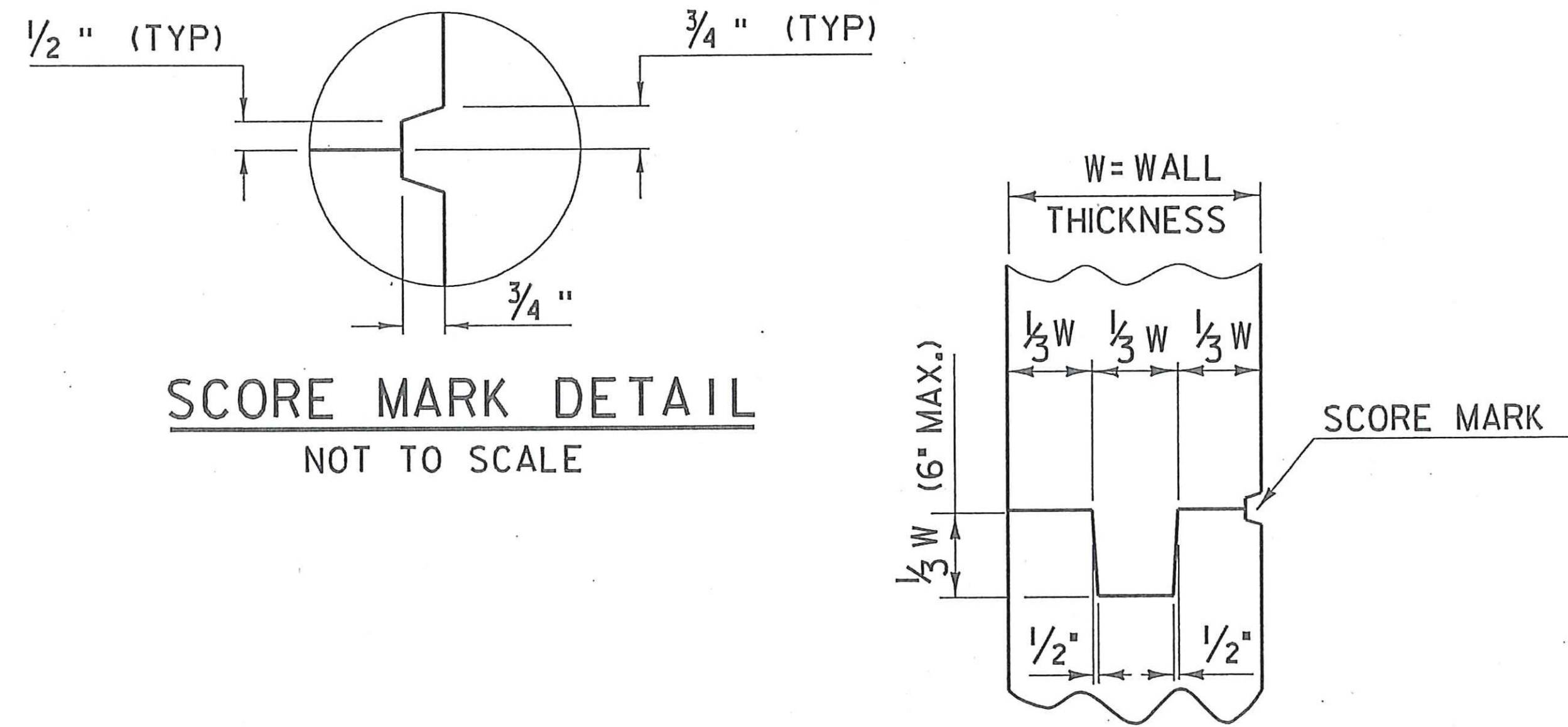
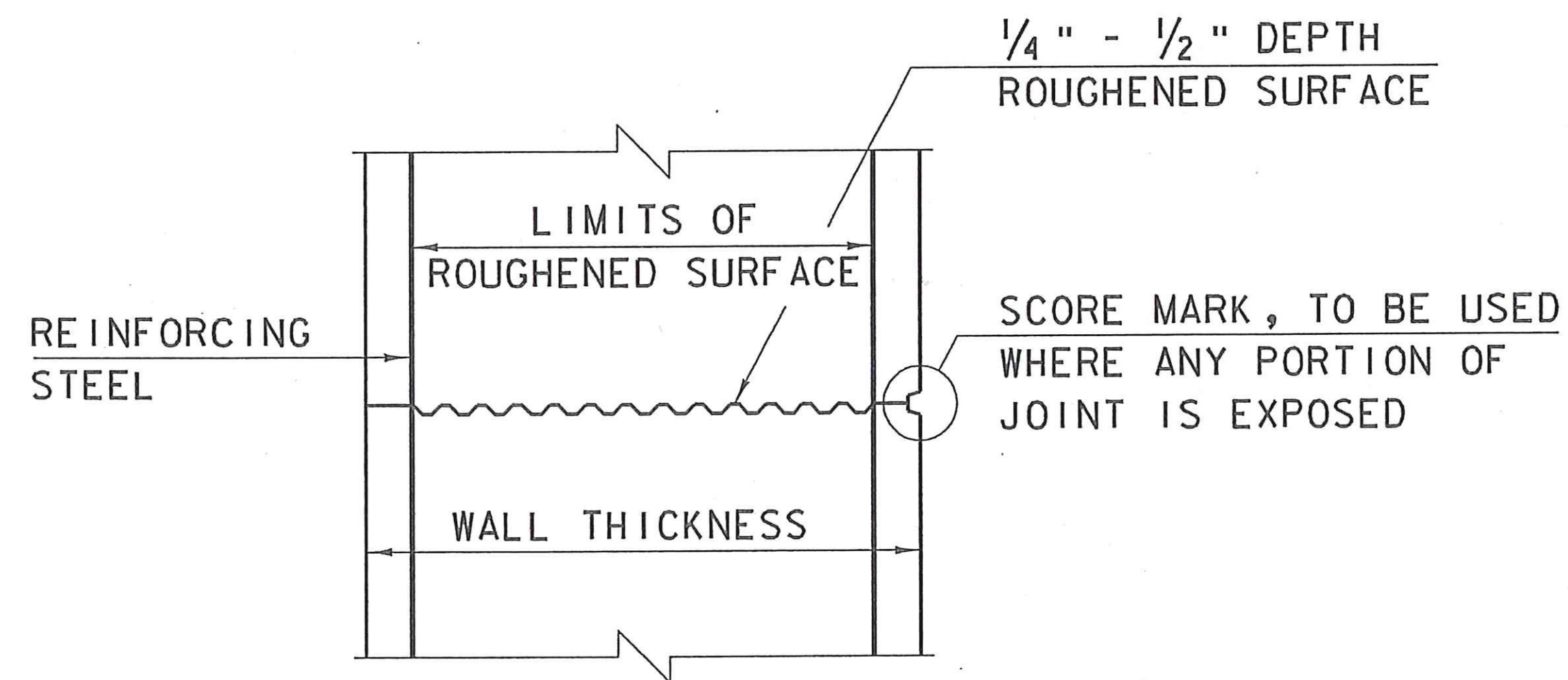


CONCRETE CONSTRUCTION JOINTS AND SCORE MARK DETAILS - NOT TO SCALE



TYPICAL CONCRETE CONSTRUCTION JOINT



TYPICAL HORIZONTAL CONSTRUCTION JOINT
(NOT TO SCALE)

1. THE SURFACE OF THE CONCRETE CONSTRUCTION JOINTS SHALL BE CLEANED AND FREE OF LAITANCE.
2. IMMEDIATELY BEFORE NEW CONCRETE IS PLACED, ALL CONSTRUCTION JOINTS SHALL BE WETTED AND STANDING WATER REMOVED.

RIPTON FH 010-1(42)
Sherward Farnsworth
Sept. 9, 2010
- Score Mark Detail -

70F7