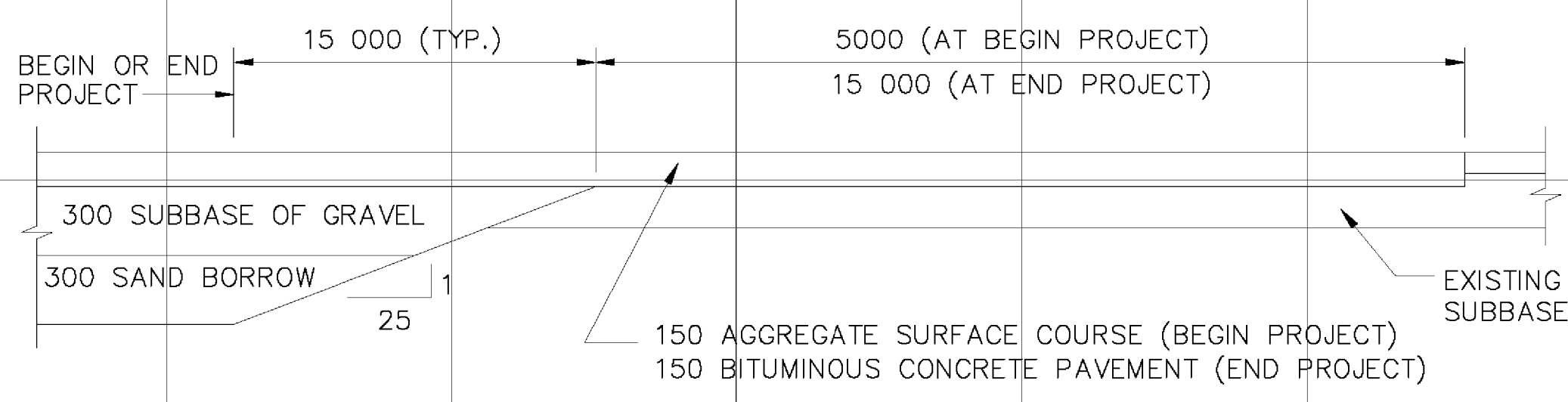
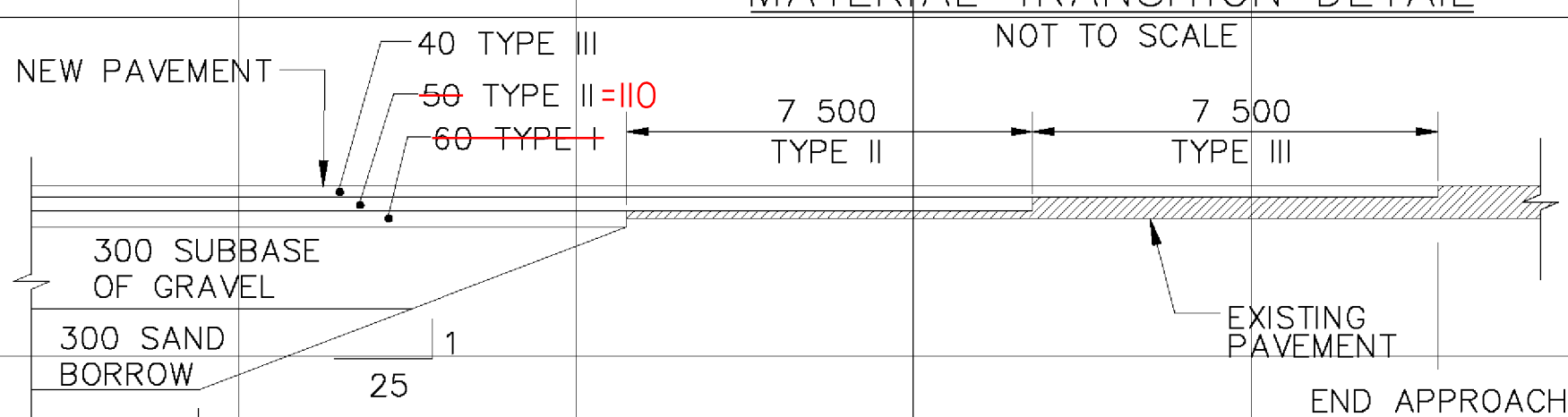


STA 2+020.000
END APPROACH
BEGIN PROJECT

STA 2+000.000
BEGIN APPROACH
MATCH EXISTING



MATERIAL TRANSITION DETAIL



COLD PLANNING SECTION
NOT TO SCALE

REVISIONS
REVISED EDGE OF RIVER LINE AND SLOPES
IN CROSS SECTIONS

STA. 2+000 - STA. 2+060

STATE OF VERMONT
AGENCY OF TRANSPORTATION

Town Of	RIPTON	Bridge No.	BRIDGE #17
Highway No.	TH 18	Log Sta.	
TH 18 OVER SOUTH BRANCH MIDDLEBURY RIVER ROADWAY CROSS SECTIONS (1)			
Designed By	Y I LIU	Drawn By	W J GAYNOR
Checked By	B P GUZAS	Date	8/09
		Bridge Design Supervisor	R L JOY
		Date	10/09
PROJECT	RIPTON	PROJECT NO.	FH 010-1(2)
I.G.C. Info.			
Bridge Sheet No.		Sheet	23R of 26