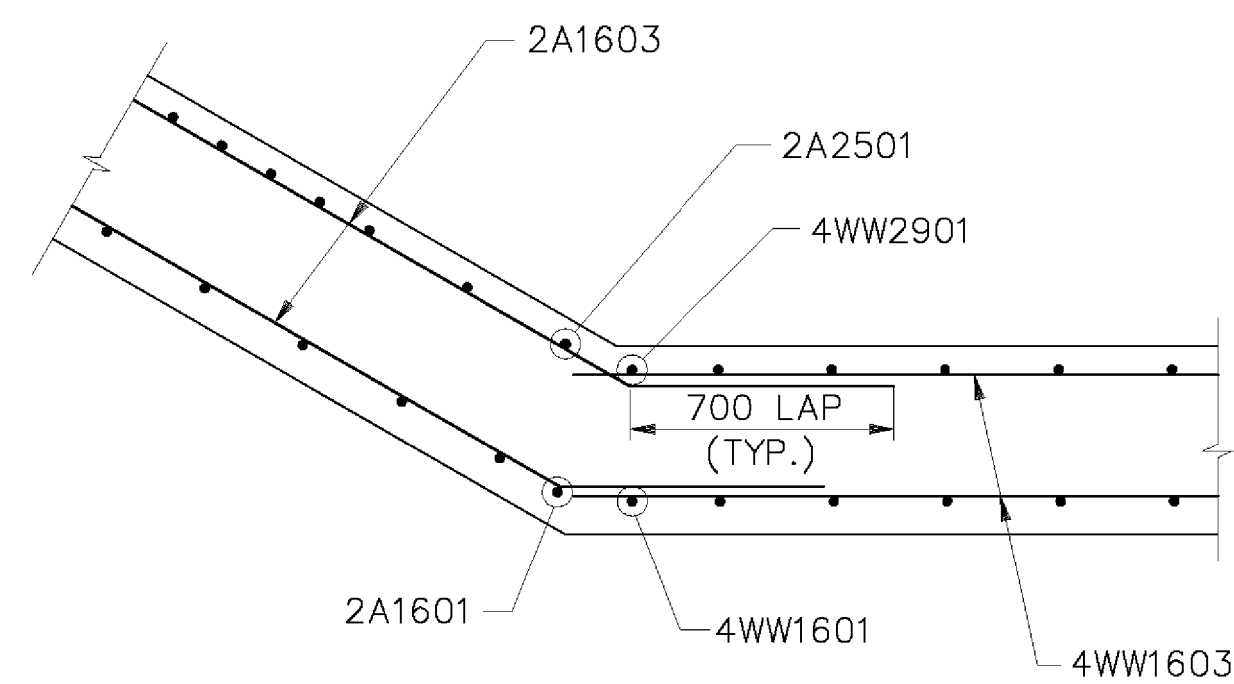
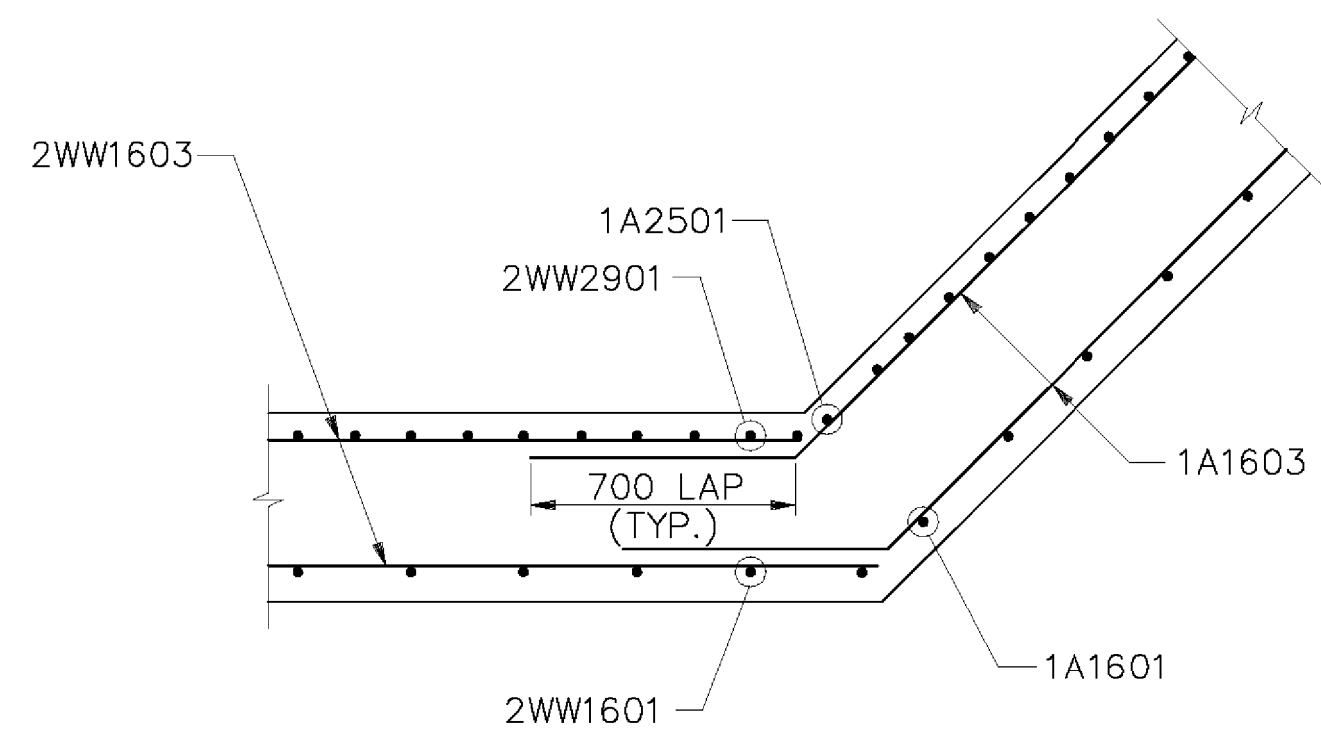
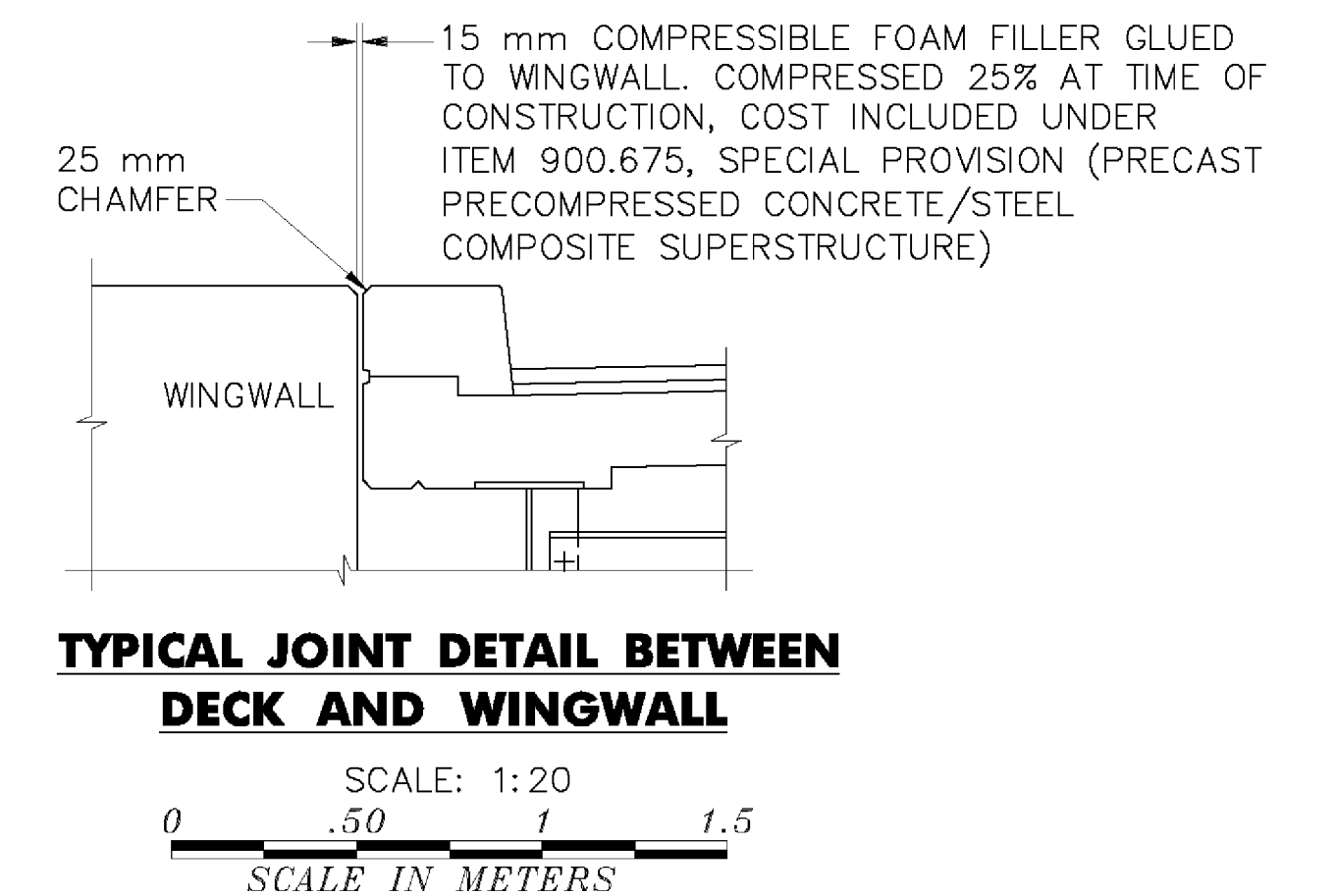
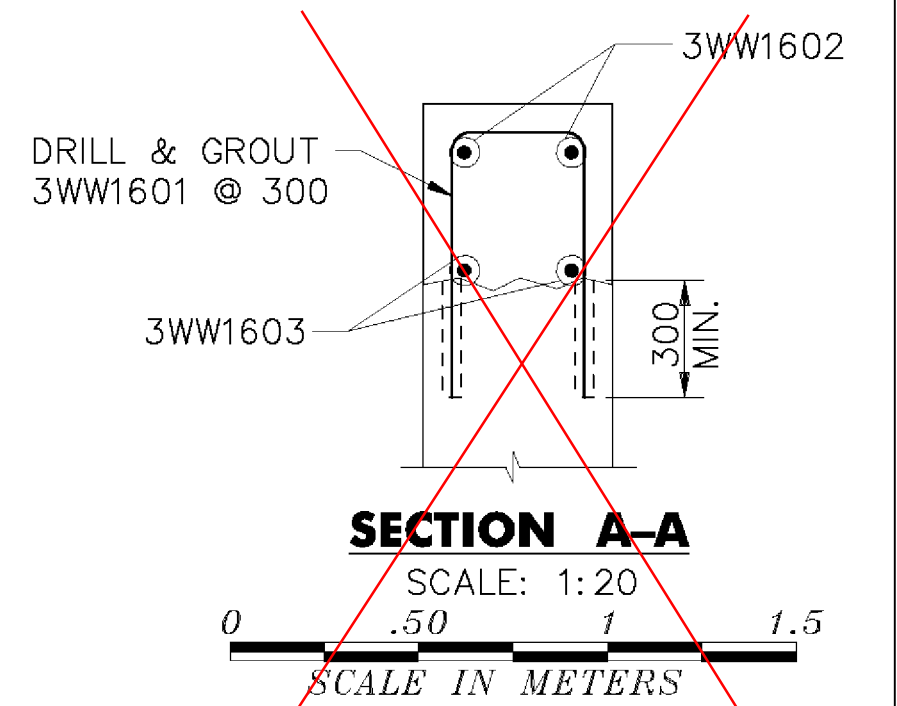
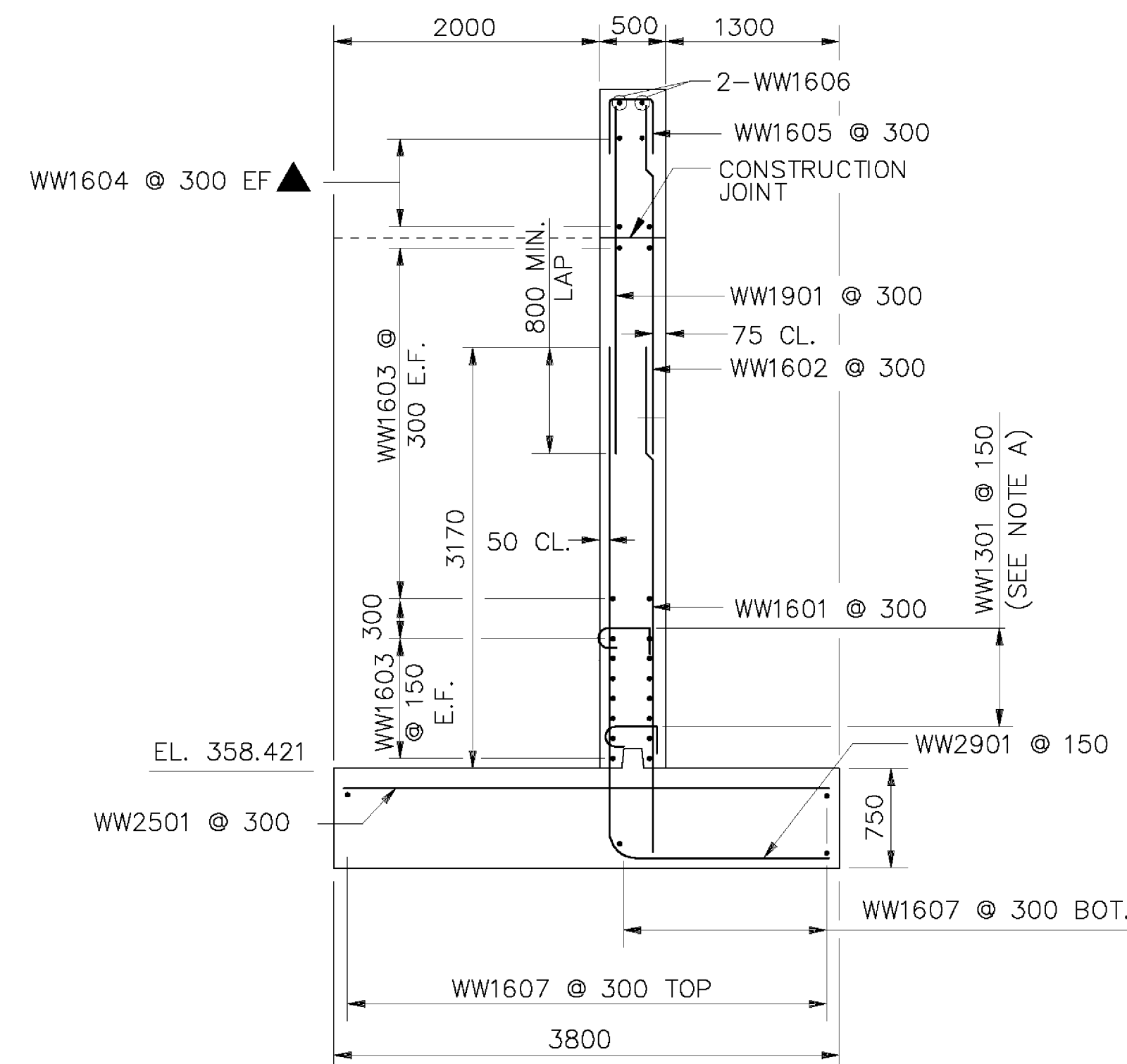
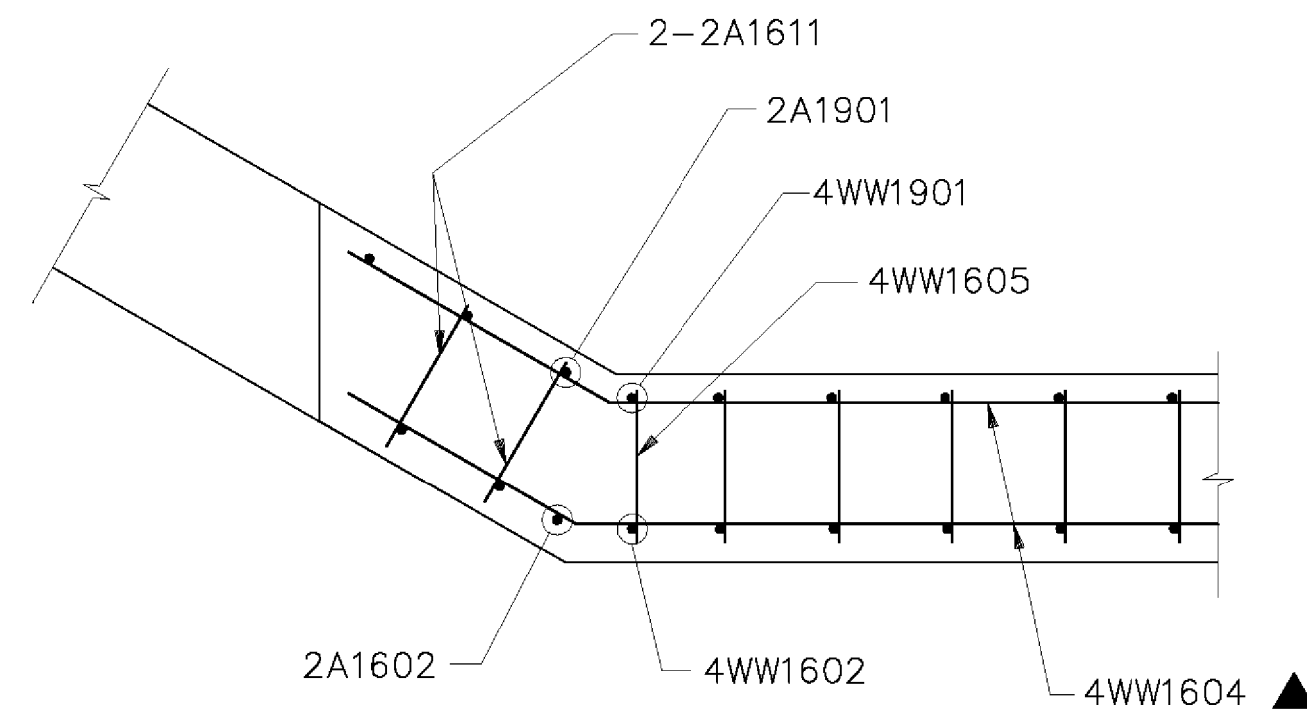
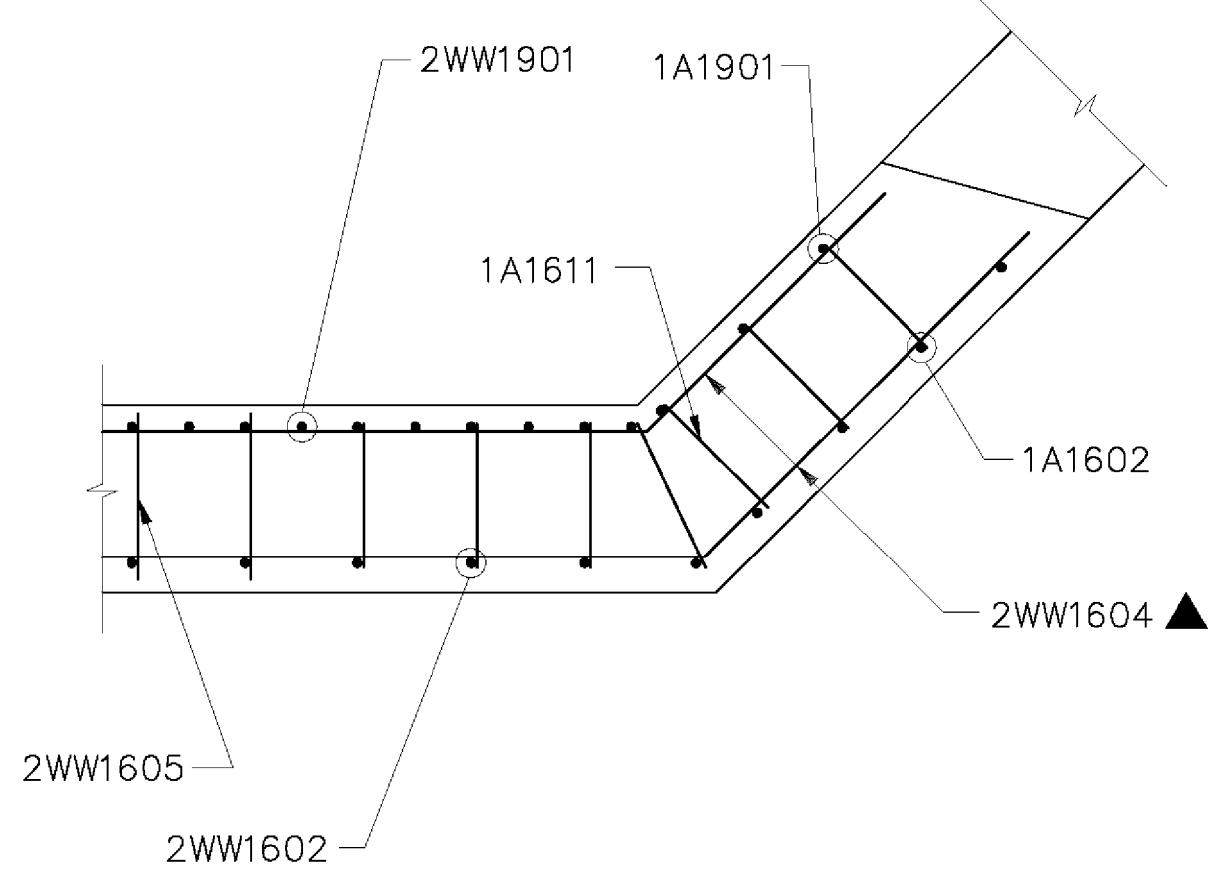


NOTE A:
BEGIN VERTICAL STIRRUP SPACING AT FIRST HORIZONTAL REINFORCING BAR ABOVE SHEAR KEY AT BASE OF STEM.



- ▲ = CUT TO FIT IN FIELD
- E = EPOXY COATED
- EE = EACH END
- EF = EACH FACE
- FF = FAR FACE
- NF = NEAR FACE

REVISIONS

REVISED WINGWALL 2.

STATE OF VERMONT AGENCY OF TRANSPORTATION	
Town Of RIPTON	Bridge No. BRIDGE #17
Highway No. TH 18	Log Sta. Surv. Sta.
TH 18 OVER SOUTH BRANCH MIDDLEBURY RIVER WINGWALL DETAILS	
Designed By Y I LIU	Drawn By W J GAYNOR
Checked By B P GUZAS	Bridge Design Supervisor Date 8/09
PROJECT RIPTON	R L JOY Date 10/09
I.G.C. Info.	PROJECT NO. FH 010-1(2)
Bridge Sheet No.	Sheet 21R of 26