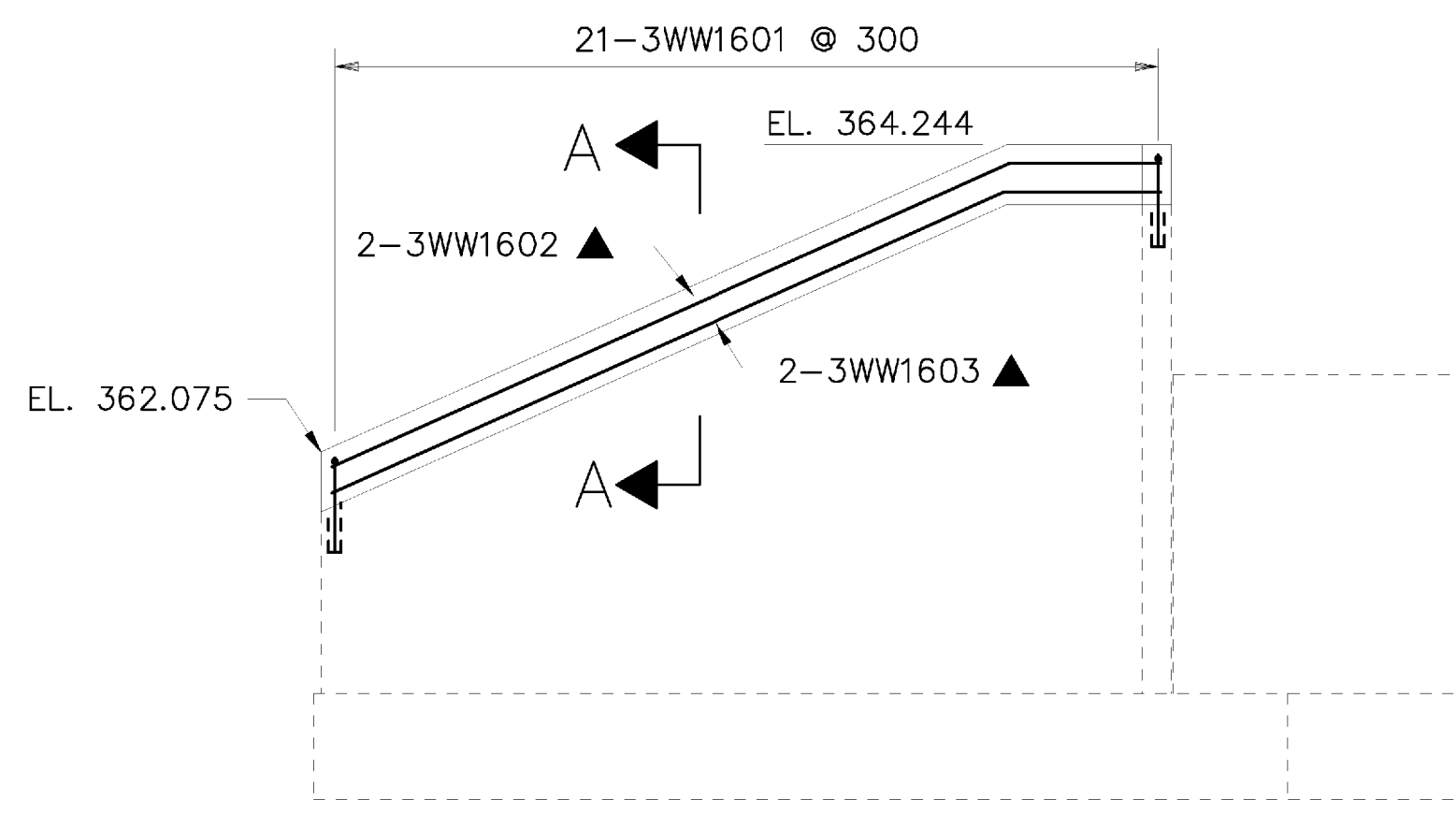
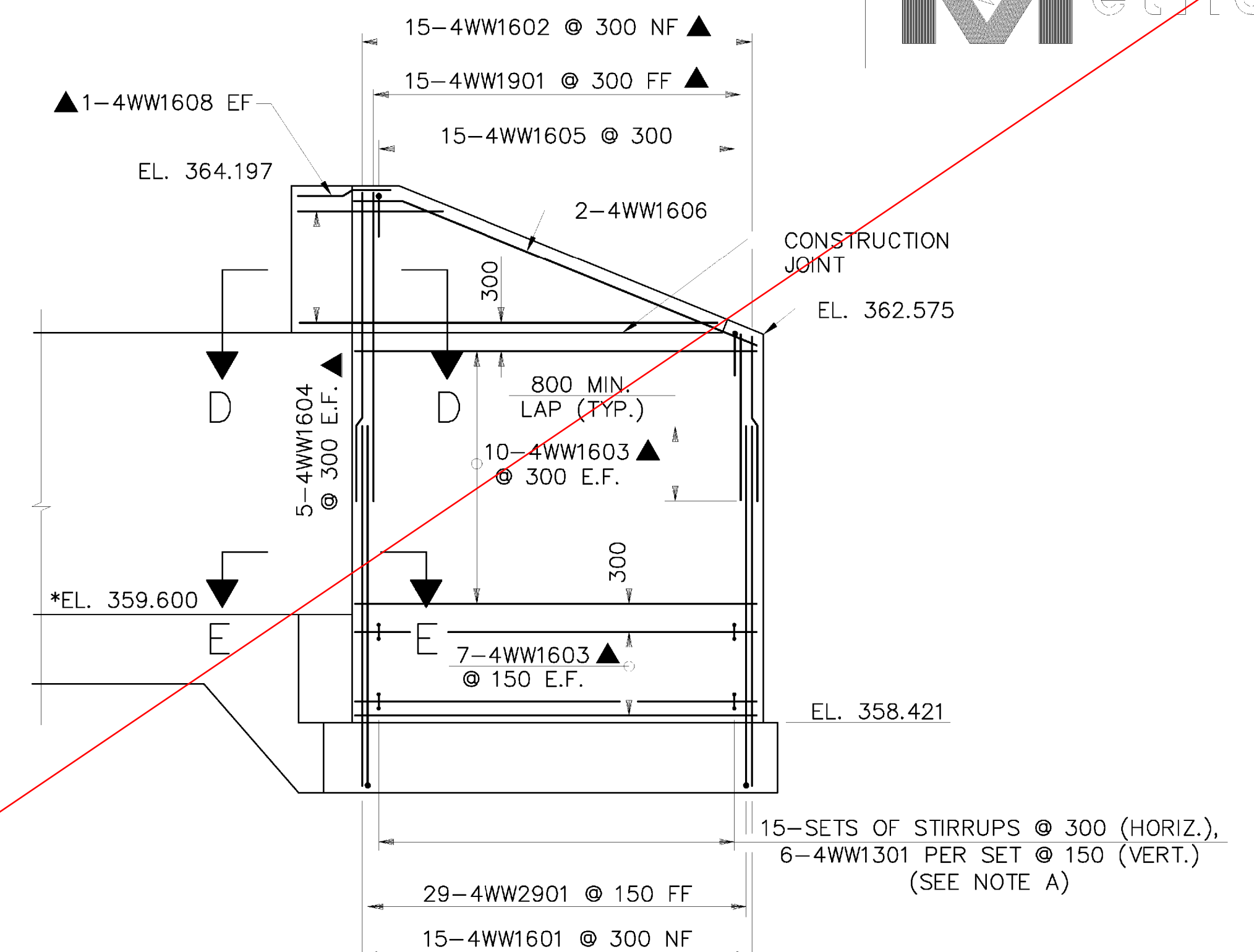


**WINGWALL 2 ELEVATION**  
 SCALE: 1:50  
 SCALE IN METERS

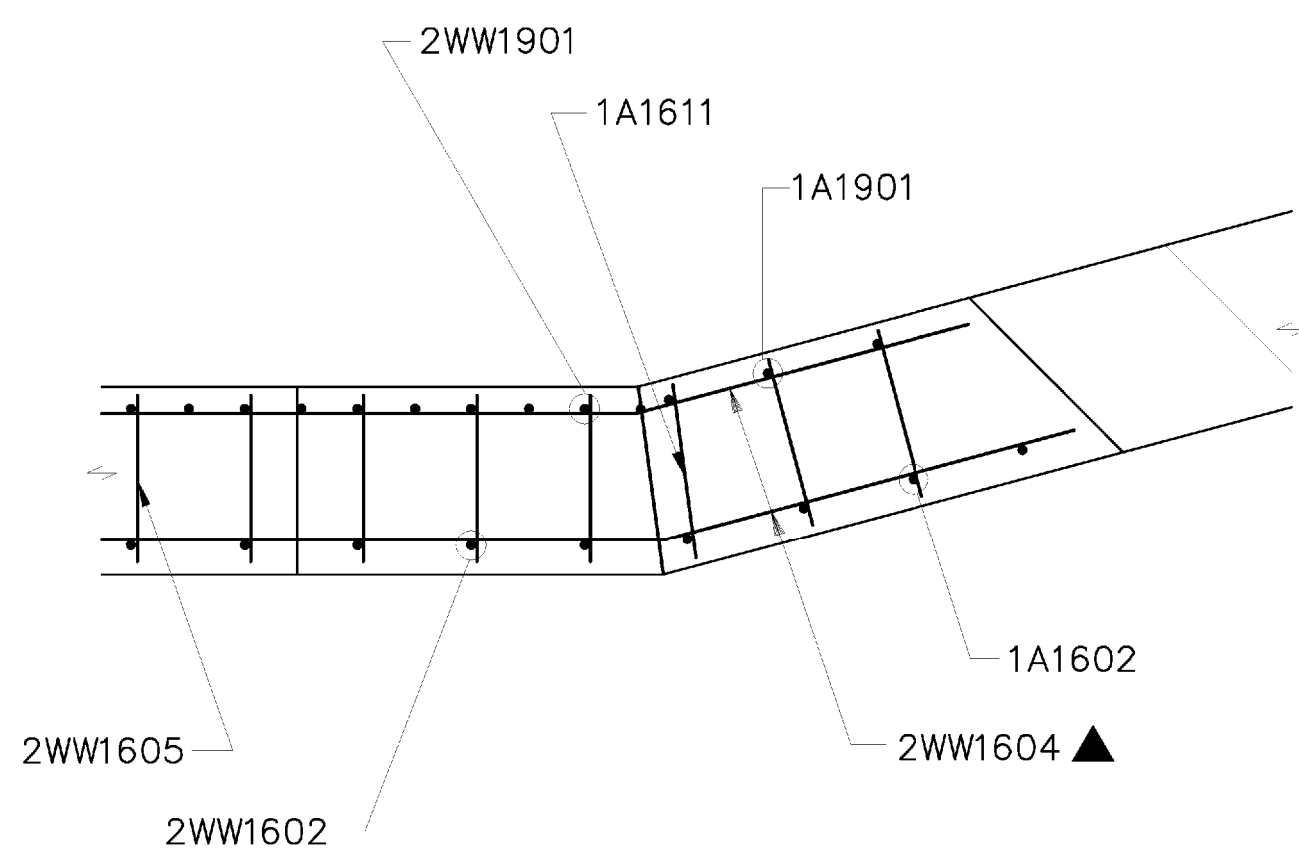


**WINGWALL 3 ELEVATION**  
 SCALE: 1:50  
 SCALE IN METERS

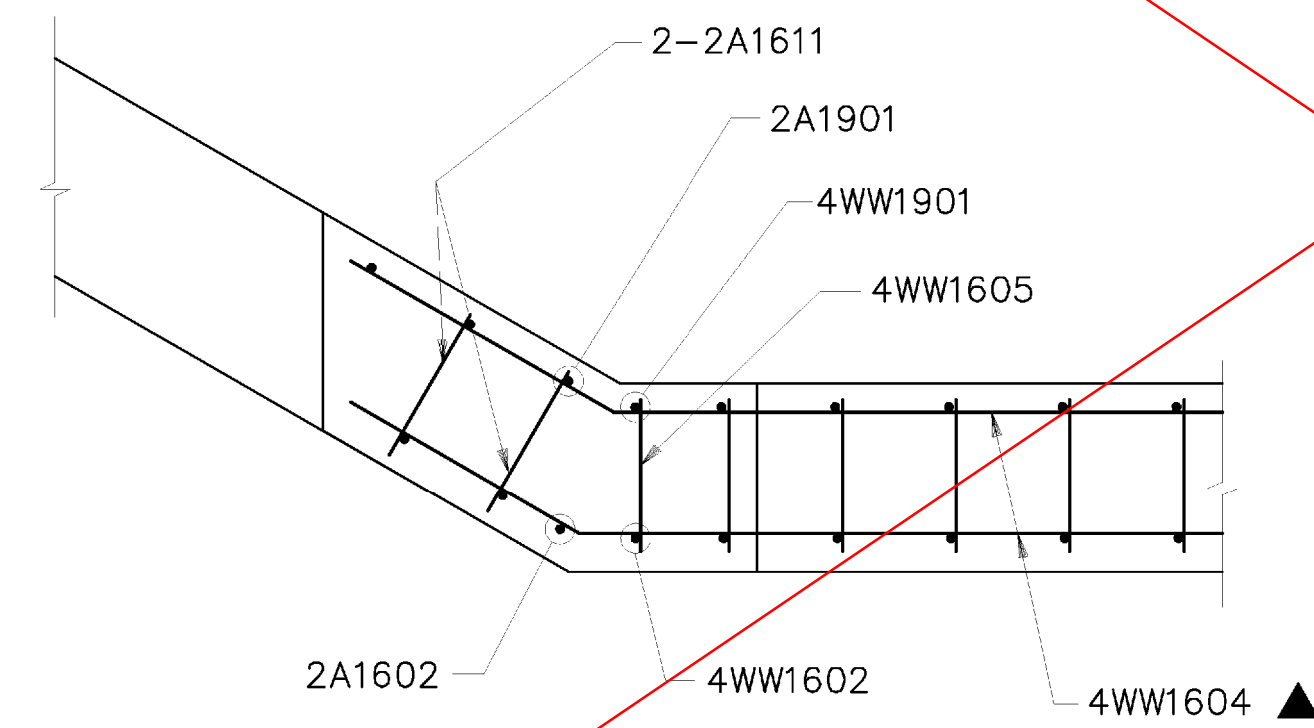


**WINGWALL 4 ELEVATION**  
 SCALE: 1:50  
 SCALE IN METERS

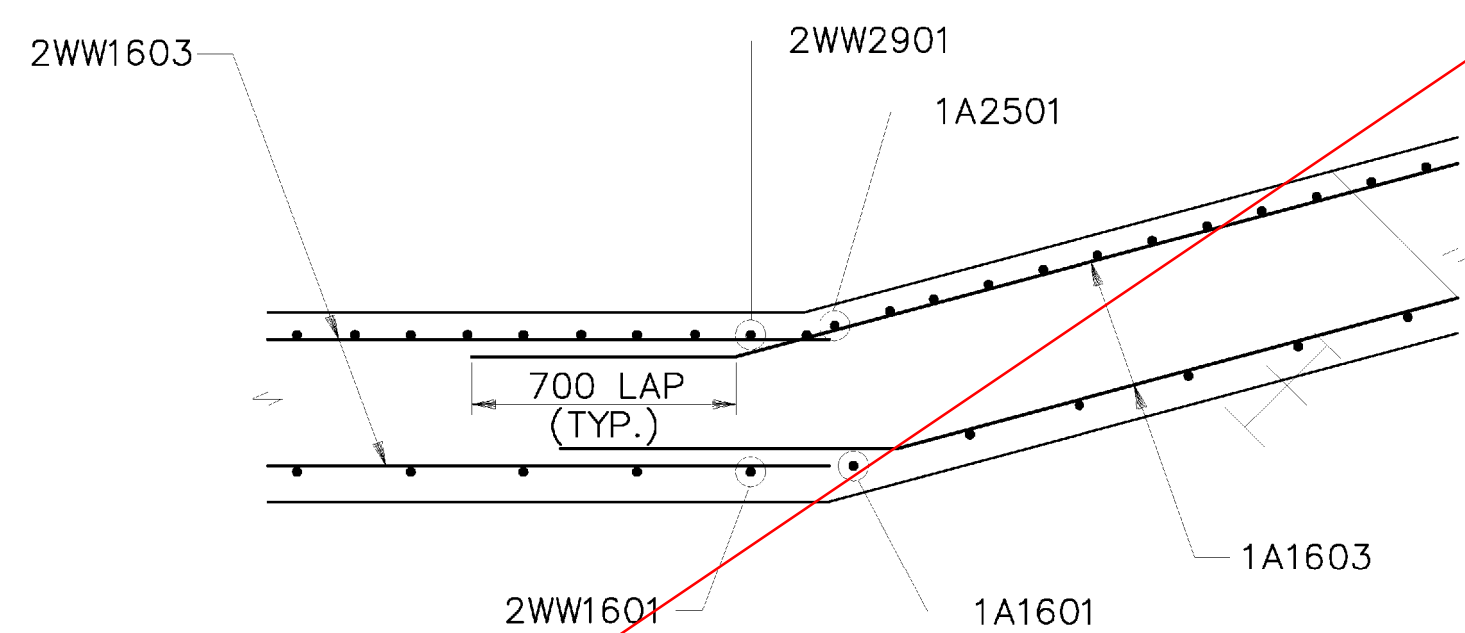
\* EXISTING ELEVATIONS ARE APPROXIMATE  
 NOTE A:  
 BEGIN VERTICAL STIRRUP SPACING AT  
 FIRST HORIZONTAL REINFORCING BAR  
 ABOVE SHEAR KEY AT BASE OF STEM.



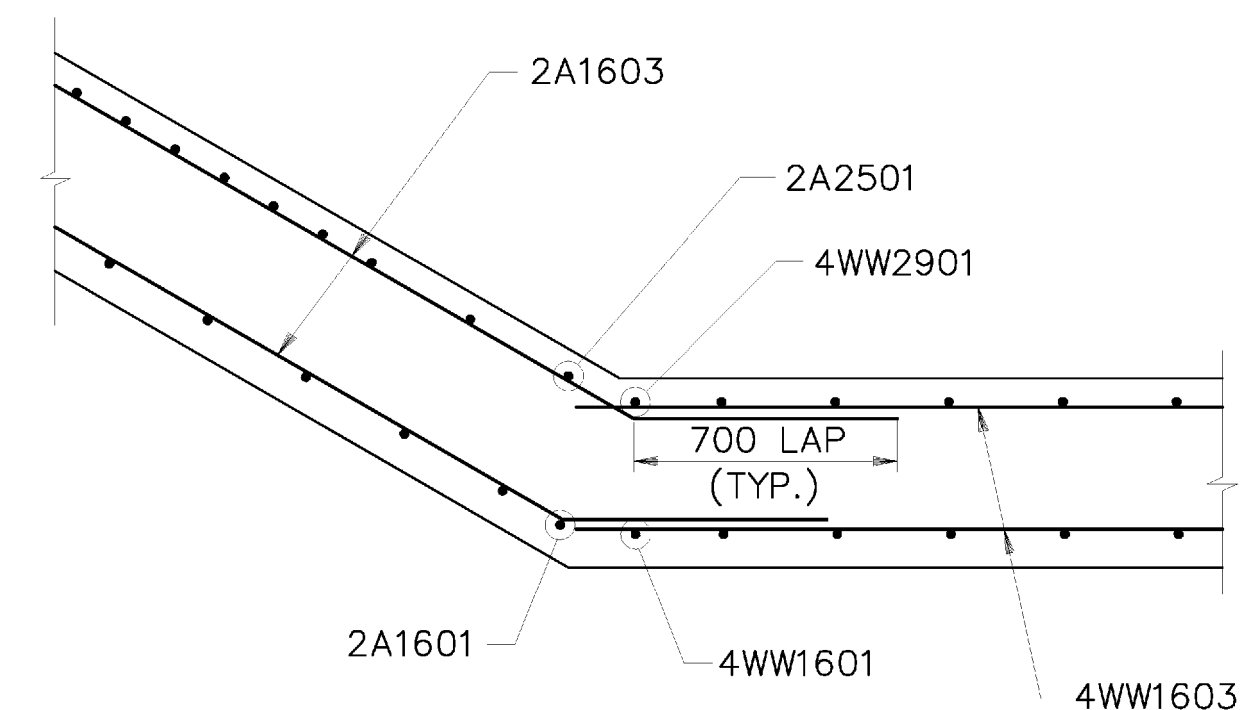
**SECTION B-B**  
 SCALE: 1:20  
 SCALE IN METERS



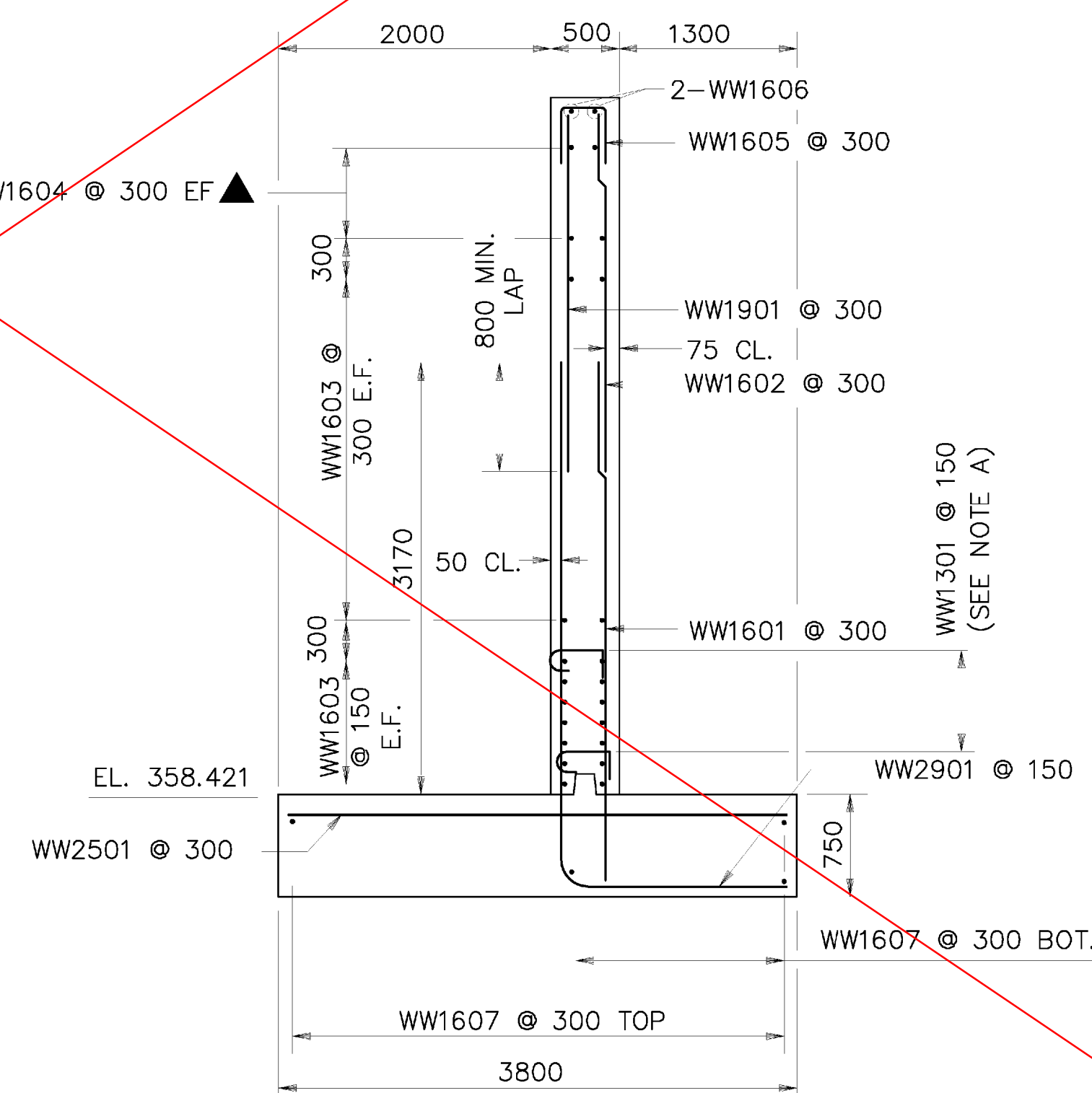
**SECTION D-D**  
 SCALE: 1:20  
 SCALE IN METERS



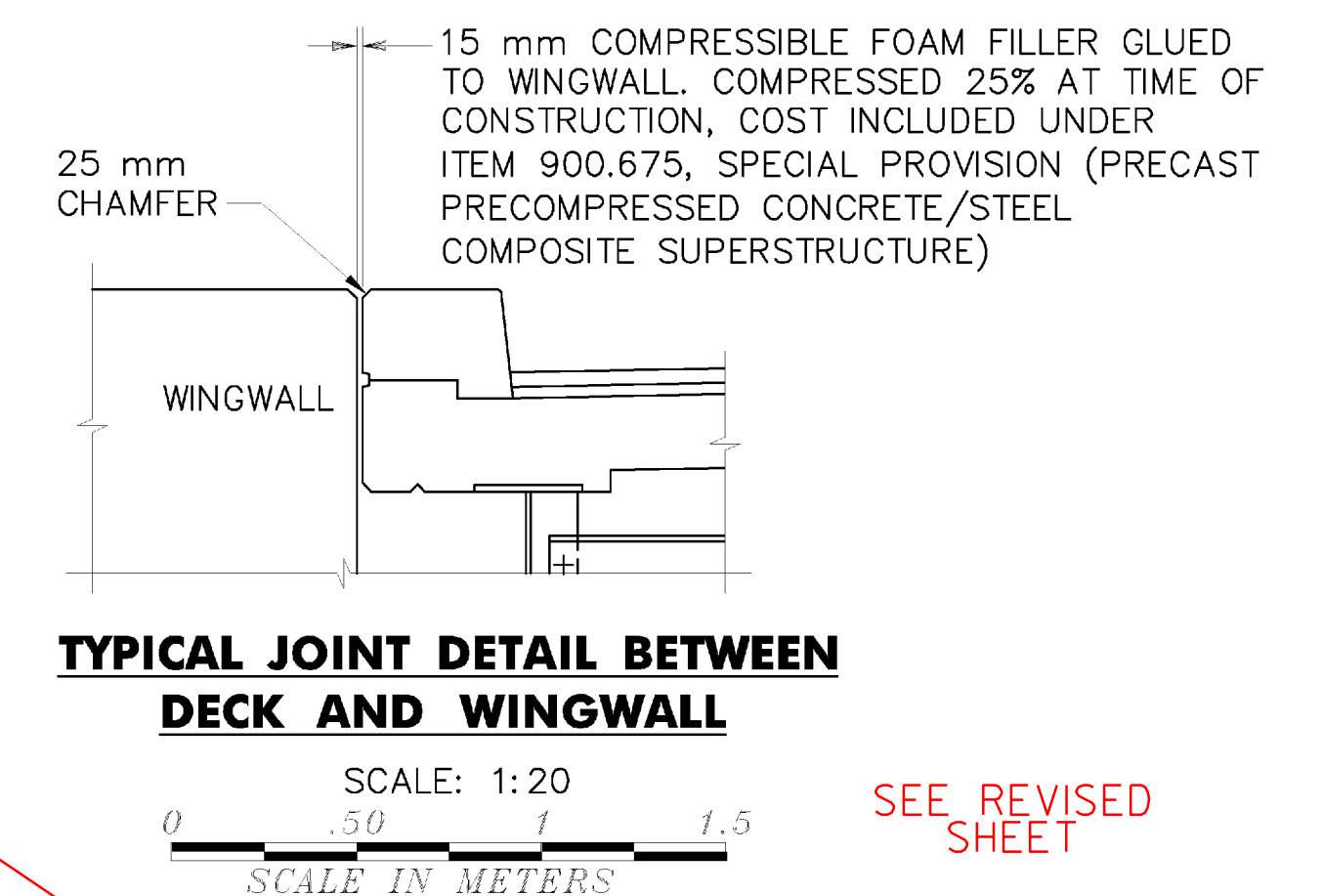
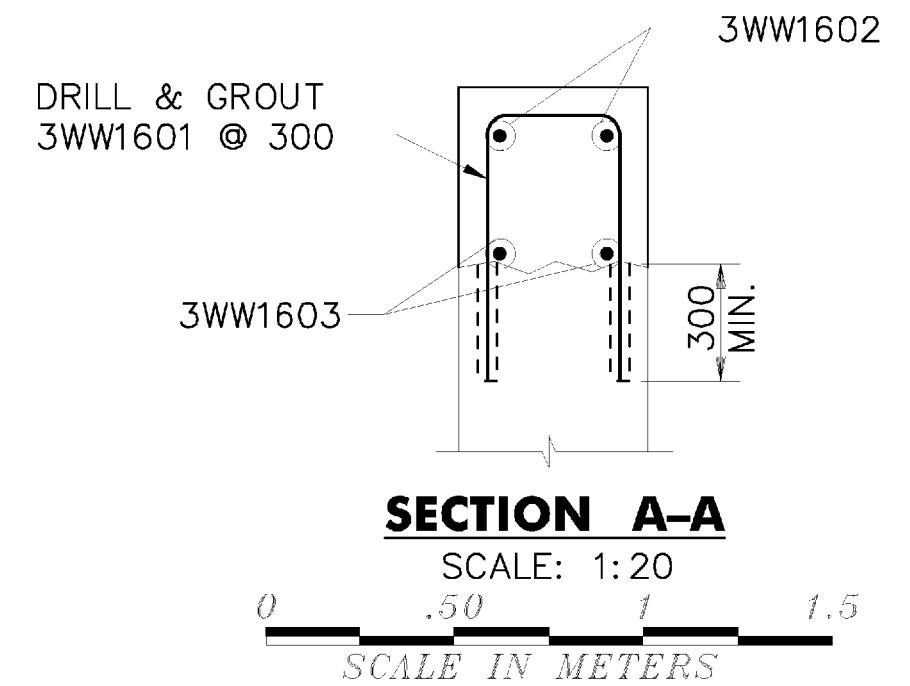
**SECTION C-C**  
 SCALE: 1:20  
 SCALE IN METERS



**SECTION E-E**  
 SCALE: 1:20  
 SCALE IN METERS



**TYPICAL WINGWALL SECTION**  
 SCALE: 1:40  
 SCALE IN METERS



▲ = CUT TO FIT IN FIELD  
 E = EPOXY COATED  
 EE = EACH END  
 EF = EACH FACE  
 FF = FAR FACE  
 NF = NEAR FACE