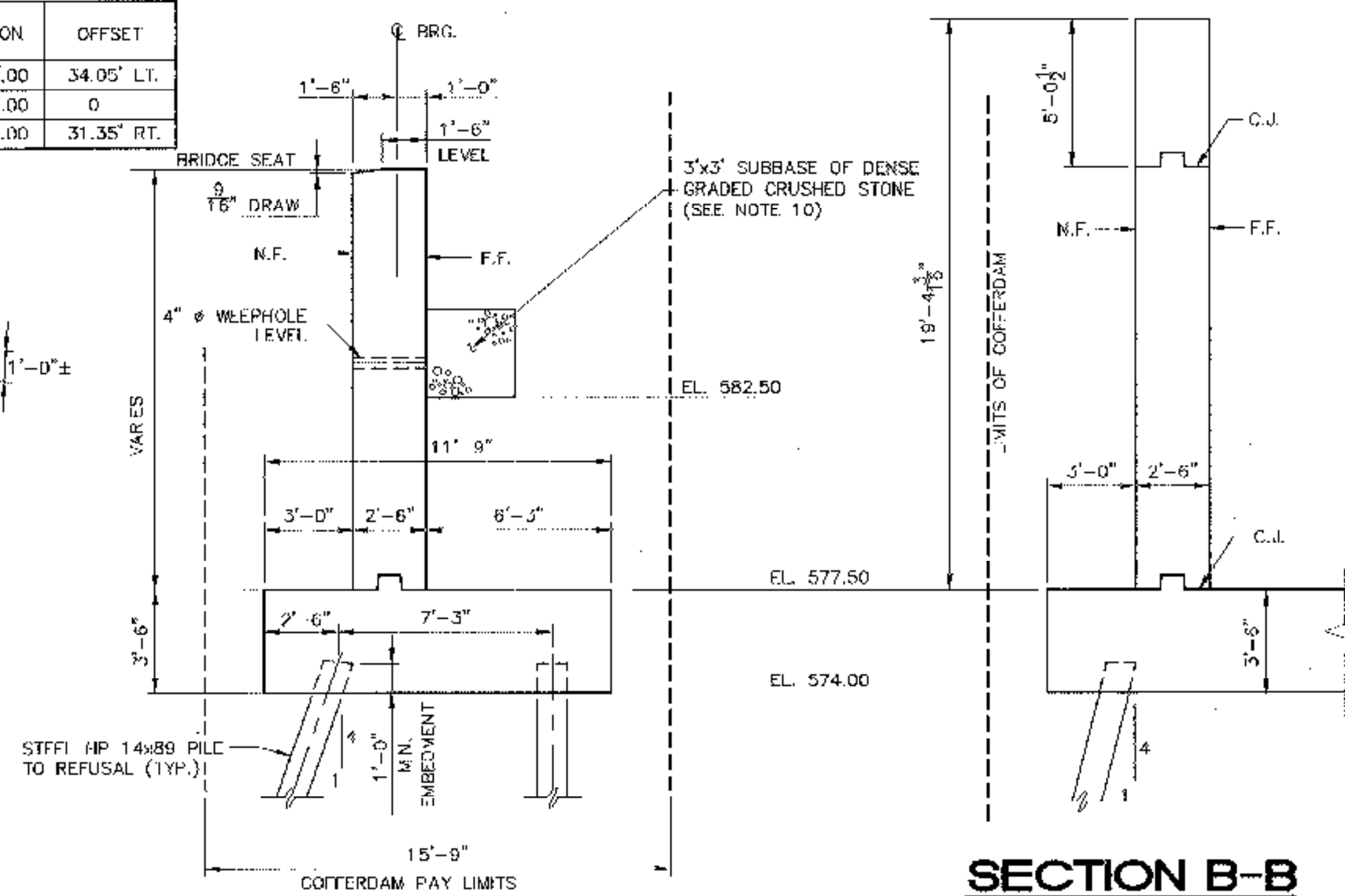


PLAN
SCALE: 1/4" = 1'-0"

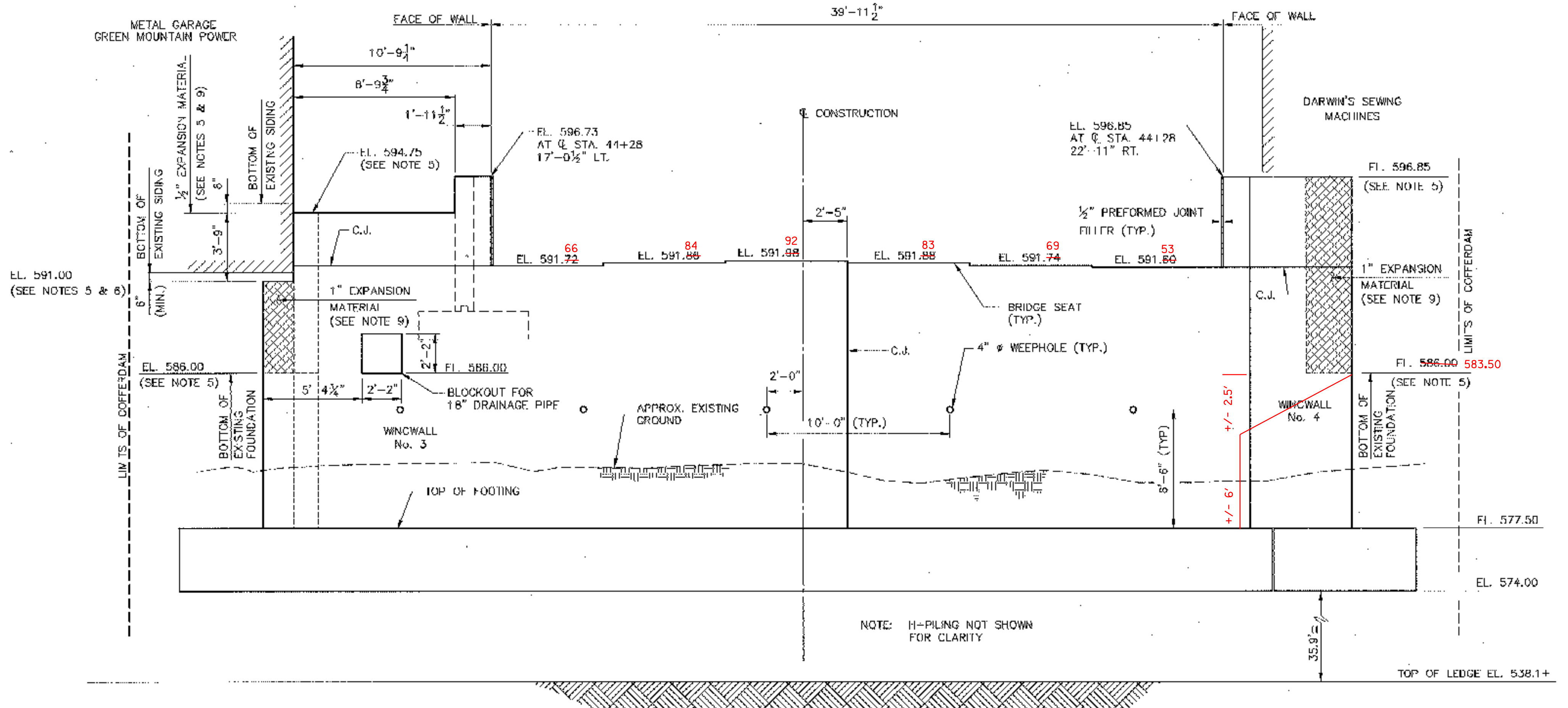


SECTION A-A
SCALE: 1/4" = 1'-0"

SECTION B-B
SCALE: 1/4" = 1'-0"

NOTES:

- FOR ABUTMENT REINFORCING, SEE BRIDGE SHEET BR115.
- FOR WINGWALL REINFORCING, SEE BRIDGE SHEET BR116.
- FOR CONSTRUCTION JOINT DETAIL, SEE BRIDGE SHEET BR119.
- BRIDGE SEAT ELEVATIONS SHOWN AT ϕ BEARING.
- THE CONTRACTOR SHALL VERIFY ALL ELEVATIONS AND DIMENSIONS ADJACENT TO EXISTING STRUCTURES PRIOR TO THE INITIATION OF WORK.
- THE CONTRACTOR SHALL LOCATE SHIELD PILING ADJACENT TO EXISTING BUILDINGS, FOUNDATIONS AND/OR RETAINING WALLS AS CLOSE AS POSSIBLE AND OF SUFFICIENT DEPTH AS TO INSURE BUILDING AND COFFERDAM STABILITY THROUGHOUT THE CONSTRUCTION PERIOD. FIELD ADJUSTMENTS TO CONTRACT PLAN DIMENSIONS FOR COFFERDAMS MAY BE MADE ONLY WITH THE APPROVAL OF THE ENGINEER.
- THE CONTRACTOR SHALL REMOVE SHIELD PILING TO THE BOTTOM OF EXISTING BUILDING FOUNDATION AS REQUIRED TO CONSTRUCT CANTILEVERED WALLS ADJACENT TO EXISTING BUILDINGS. PRECAUTIONS SHALL BE TAKEN TO TEMPORARILY SHORR EXISTING STRUCTURES AS DIRECTED BY THE ENGINEER. TEMPORARY SHORING SHALL BE SUBSIDIARY TO ITEM 204.40, COFFERDAM. SEE SOUTHEAST CORNER DETAIL ON BRIDGE SHEET BR117.
- ANY PORTION OF COFFERDAM REQUIRED TO BE LEFT IN PLACE DURING CONSTRUCTION OF ABUTMENT SHALL BE INCLUDED IN THE UNIT BID PRICE FOR COFFERDAM (ITEM 204.40).
- PLACE EXPANSION MATERIAL AGAINST EXISTING CONCRETE PRIOR TO PLACEMENT OF CONCRETE FOR NEW WALLS.
- SUBBASE OF DENSE GRADED CRUSHED STONE SHALL BE PLACED FOR THE ENTIRE LENGTH OF BOTH WINGWALLS AND THE ABUTMENTS AND SHALL BE PAID FOR UNDER ITEM 301.35.
- THE DESIGN OF THE COFFERDAM SHALL BE THE RESPONSIBILITY OF THE CONTRACTOR AND SHALL CONFORM TO THE STATE OF VERMONT AGENCY OF TRANSPORTATION STANDARD SPECIFICATIONS FOR CONSTRUCTION 1990, AND ITS LATEST REVISIONS.
- COFFERDAMS ADJACENT TO EXISTING STRUCTURES SHALL BE SUFFICIENTLY SHIELD AND BRACED TO SUPPORT THE STRUCTURE THROUGHOUT CONSTRUCTION. DAMAGE TO EXISTING STRUCTURES SHALL BE THE RESPONSIBILITY OF THE CONTRACTOR.



EAST ELEVATION
SCALE: 1/4" = 1'-0"

LEGEND

N.F.	NEAR FACE
F.F.	FAR FACE
C.J.	CONSTRUCTION JOINT

STATE OF VERMONT
AGENCY OF TRANSPORTATION

CITY OF	BARRE	BRIDGE NO.	B-10
STREET NAME	BLACKWELL STREET	LOG STA.	
		SURV. STA.	
BLACKWELL STREET BRIDGE OVER STEVENS BRANCH			
ABUTMENT 2 MASONRY			
DESIGNED BY	V. DeANGELO	DRAWN BY	S. BELANGER
CHECKED BY	J. PATUSKY	DATE	12/98
		BRIDGE DESIGN SUPERVISOR	J. PATUSKY
		DATE	12/98
PROJECT	BARRE CITY	PROJECT NO.	BRM 6000(13)
BA&C DRAWING NO.	BLACK01/48	DATE	12/98
BRIDGE SHEET NO.	BR114	SHEET	27 OF 46

BETTIGOLE ANDREWS & CLARK, INC.
Consulting Engineers