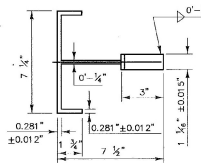
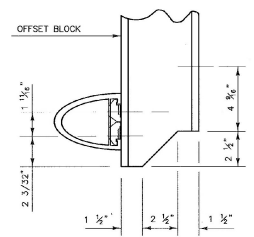


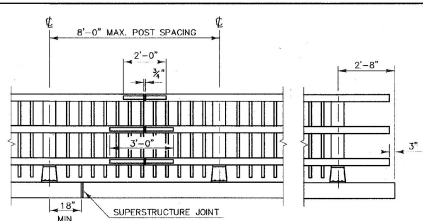
POST SIDE VIEW



POST PLAN VIEW



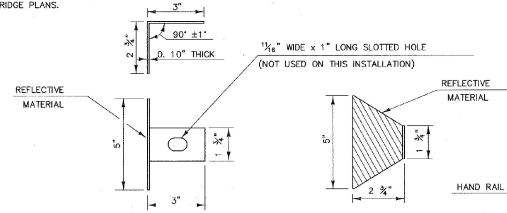
COPING DETAIL



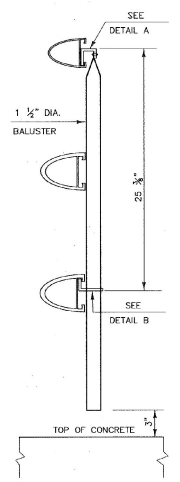
FRONT ELEVATION OF THREE RAIL WITH SPINDLES

NOTE: RAIL POSTS ARE TO BE SET NORMAL TO GRADE UNLESS OTHERWISE DESIGNATED ON BRIDGE PLANS. ALL DIMENSIONS ARE TYPICAL UNLESS OTHERWISE DESIGNATED ON BRIDGE PLANS.

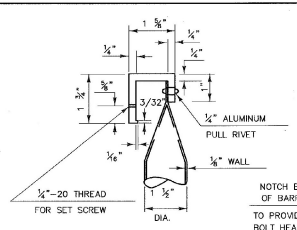
* THIS REFLECTORIZED ALUMINUM DELINEATOR IS TO BE ERRECTED EVERY 30 FEET (OR CLOSEST POST) WITH 2 NO. 8 X 3/4" SELF-TAPPING SCREWS. DELINEATORS SHALL MEET SPECIFICATION REQUIREMENTS FOR ASTM B209 ALLOY 5052-H32. REFLECTIVE MATERIAL SHALL MEET THE REQUIREMENTS OF SUBSECTION 750.08 AND SHALL BE OF ENCAPSULATED LENS SILVER OR AMBER. AMBER IS TO BE INSTALLED ON THE DRIVER'S LEFT AND SILVER ON THEIR RIGHT. PAYMENT SHALL BE SUBSIDIARY TO ALL OTHER ITEMS.



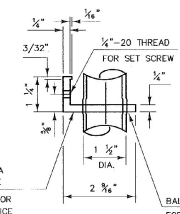
REFLECTOR DETAILS



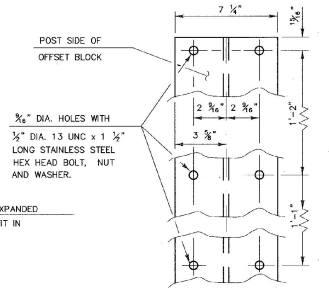
SECTION AA



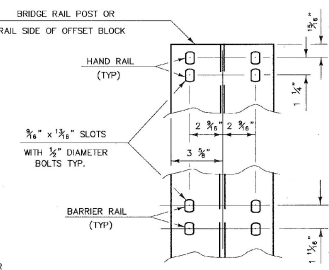
DETAIL A



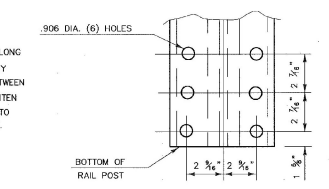
DETAIL B



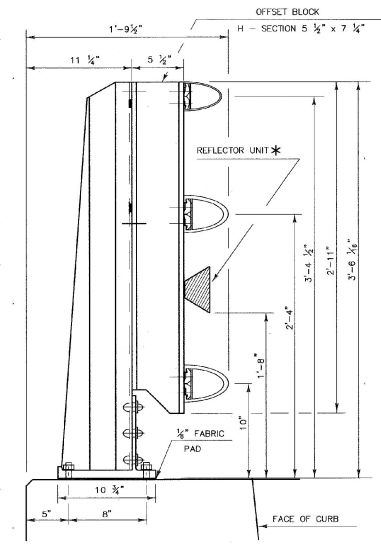
OFFSET BLOCK CONNECTION



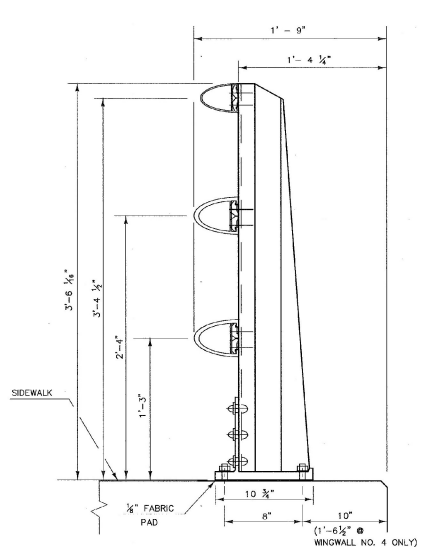
RAIL CONNECTION



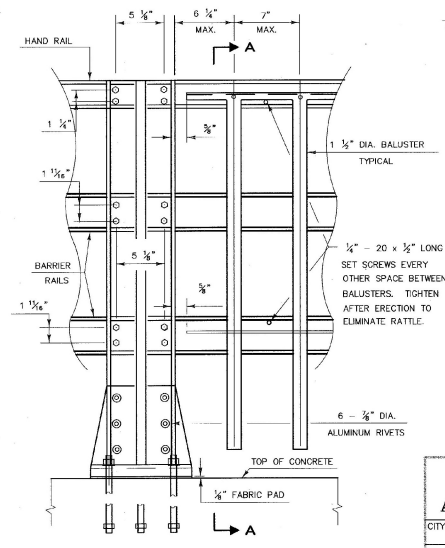
POST BASE BOLT HOLE DETAILS



SIDE ELEVATION OF THREE RAIL TO BE USED ON CURB SIDE



SIDE ELEVATION OF THREE RAIL TO BE USED ON SIDEWALK SIDE



OUTSIDE ELEVATION OF THREE RAIL POST & SPINDLES

BETTIGOLE ANDREWS & CLARK, INC.
Consulting Engineers

STATE OF VERMONT AGENCY OF TRANSPORTATION			
CITY OF	BARRE	BRIDGE NO.	B-10
STREET NAME	BLACKWELL STREET	LOG STA.	
		SURV. STA.	
BLACKWELL STREET OVER STEVENS BRANCH			
ALUMINUM BRIDGE RAILING DETAILS			
DESIGNED BY	J. Patusky	DRAWN BY	S. Belanger
CHECKED BY	V. DeAngelo	BRIDGE DESIGN SUPERVISOR	
DATE	11/98	DATE	1/98
PROJECT	BARRE CITY	PROJECT NO.	BRM 6000(13)
BAC&C DRAWING NO.	BLACK14/1	DATE	12/98
BRIDGE SHEET NO.	BR121	SHEET	34 OF 46