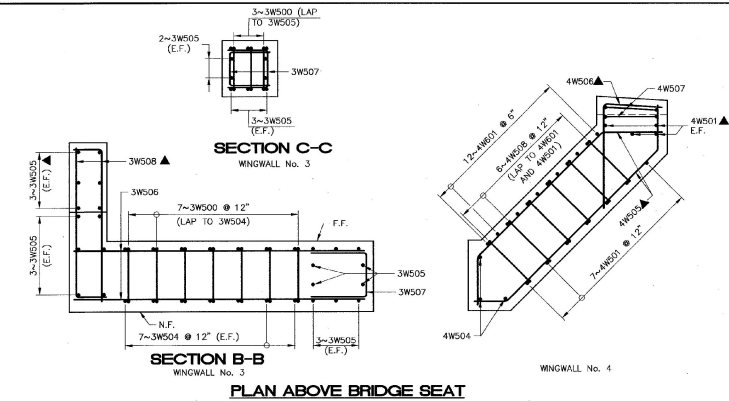
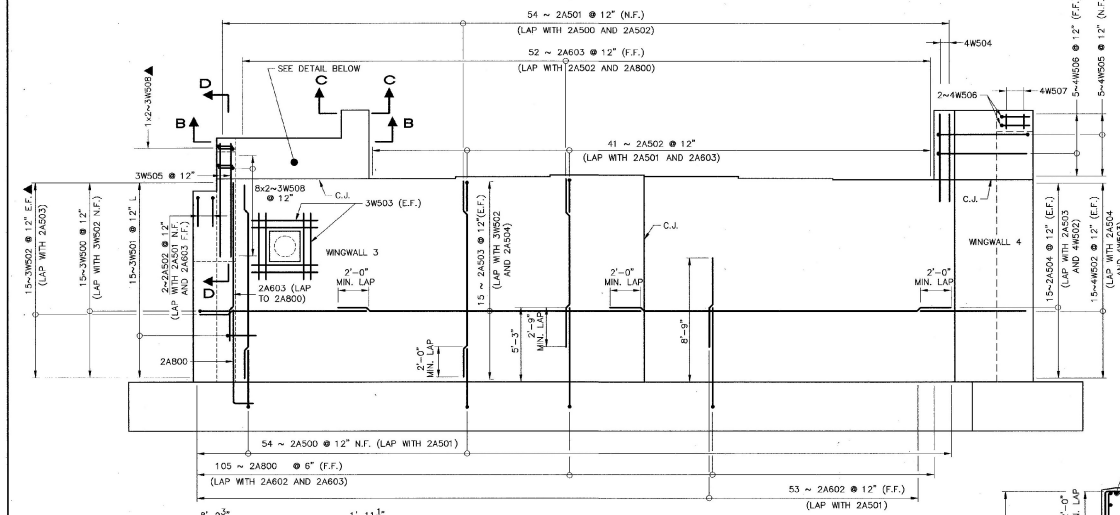


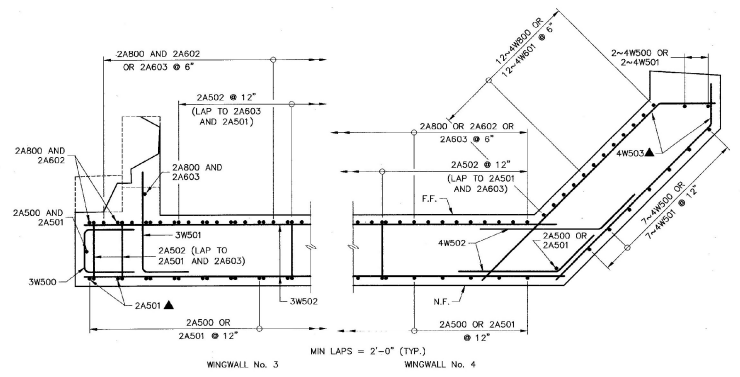
FOOTING REINFORCEMENT PLAN
SCALE: 1/4" = 1'-0"



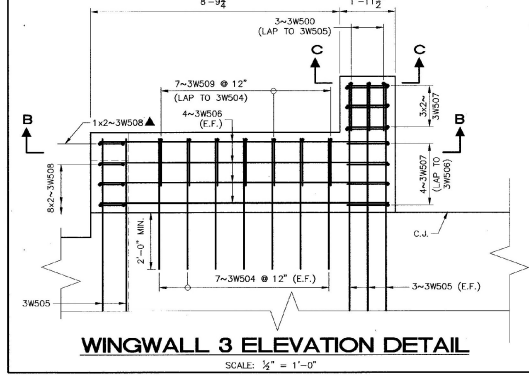
SECTION C-C
WINGWALL No. 3
SECTION B-B
WINGWALL No. 4
PLAN ABOVE BRIDGE SEAT



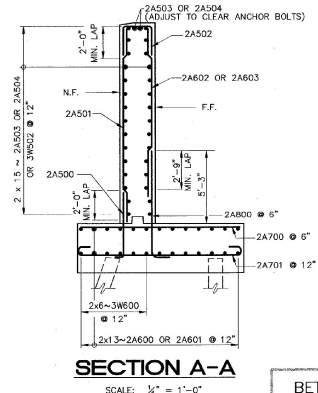
EAST ELEVATION
SCALE: 1/4" = 1'-0"



PLAN BELOW BRIDGE SEAT
CORNER REINFORCEMENT PLAN
SCALE: 1/2" = 1'-0"



WINGWALL 3 ELEVATION DETAIL
SCALE: 1/2" = 1'-0"



SECTION A-A
SCALE: 1/4" = 1'-0"

- LEGEND**
- N.F. NEAR FACE
 - F.F. FAR FACE
 - E.F. EACH FACE
 - C.J. CONSTRUCTION JOINT
 - ▲ CUT TO FIT IN FIELD

NOTE
1. FOR SECTION D-D, WINGWALL 3 AND WINGWALL 4 REINFORCEMENT, SEE BRIDGE SHEET BR115.

STATE OF VERMONT	
AGENCY OF TRANSPORTATION	
CITY OF BARRE	BRIDGE NO. B-10
STREET NAME BLACKWELL STREET	LOG STA.
BLACKWELL STREET BRIDGE OVER STEVENS BRANCH	
ABUTMENT 2 REINFORCING	
DESIGNED BY V. DeAngelo	DRAWN BY S. Belonger
CHECKED BY J. Patusky	DATE 12/98
BRIDGE DESIGN SUPERVISOR	
PROJECT NO. BRM 6000(13)	
DATE 12/98	
SHEET 28 OF 46	

BETTIGOLE ANDREWS & CLARK, INC.
Consulting Engineers