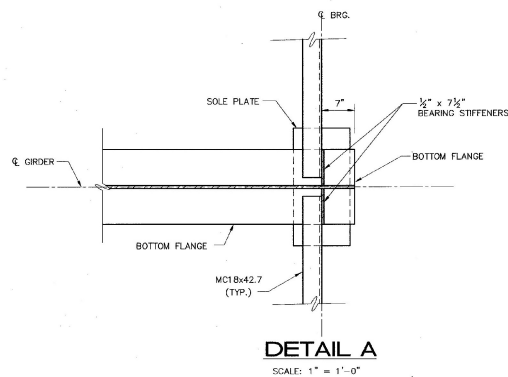


- LEGEND**
- ① DIAPHRAGM TYPE 1 (PAINTED)
 - ② DIAPHRAGM TYPE 2 (PAINTED)
 - ③ DIAPHRAGM TYPE 3 (PAINTED)
 - ④ DIAPHRAGM TYPE 4 (PAINTED)
 - ⑤ DIAPHRAGM TYPE 5 (GALVANIZED)



- NOTES:**
1. FOR DRIP PLATE DETAIL SEE BRIDGE SHEET BR119.
 2. FOR DIAPHRAGM TYPES 3, 4, AND 5, SEE BRIDGE SHEET BR109.
 3. MEMBER LINES OF ACTION SHALL PASS AS CLOSE AS PRACTICAL TO THE TOP AND BOTTOM OF THE ORDER WEB, EXCEPT AS SHOWN.
 4. ALL BOLTS SHALL BE FULLY TIGHTENED BEFORE THE CONCRETE DECK IS POURED.
 5. ALL STEEL IS PAINTED UNLESS OTHERWISE NOTED.

STATE OF VERMONT AGENCY OF TRANSPORTATION	
CITY OF BARRE	BRIDGE NO. B10
STREET NAME BLACKWELL STREET	LOC. STA.
BLACKWELL STREET BRIDGE OVER STEVENS BRANCH	
FRAMING PLAN	
DESIGNED BY V. DeAngelo	DRAWN BY S. Belonger
CHECKED BY J. Patusky	DATE 12/98
PROJECT NO. BRM 6000(13)	
BARRE CITY	
DATE 12/98	DATE 12/98
BRIDGE SHEET NO. BR108	SHEET 21 OF 46

BETTIGOLE ANDREWS & CLARK, INC.
Consulting Engineers