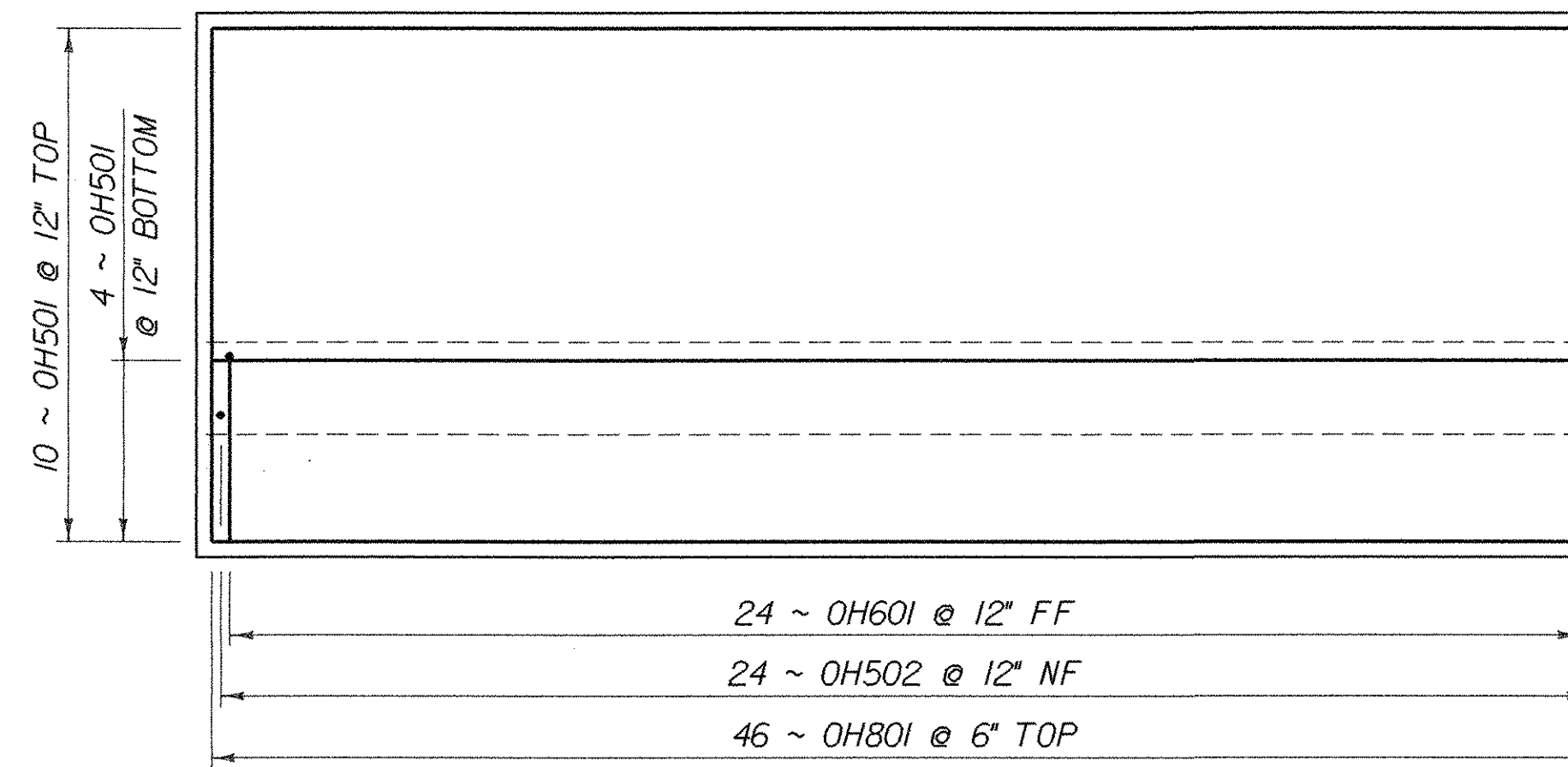


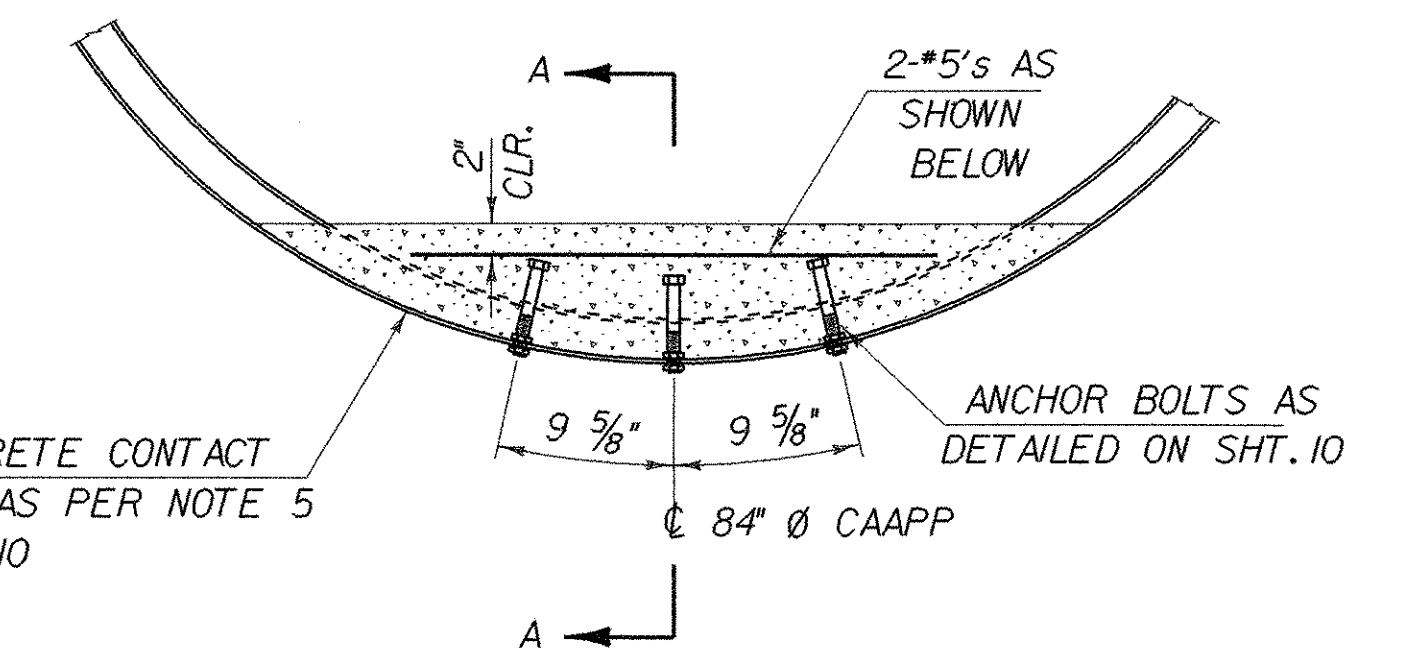
OUTLET HEADWALL PLAN

SCALE: 3/8" = 1'-0"



OUTLET HEADWALL FOOTING REINFORCING

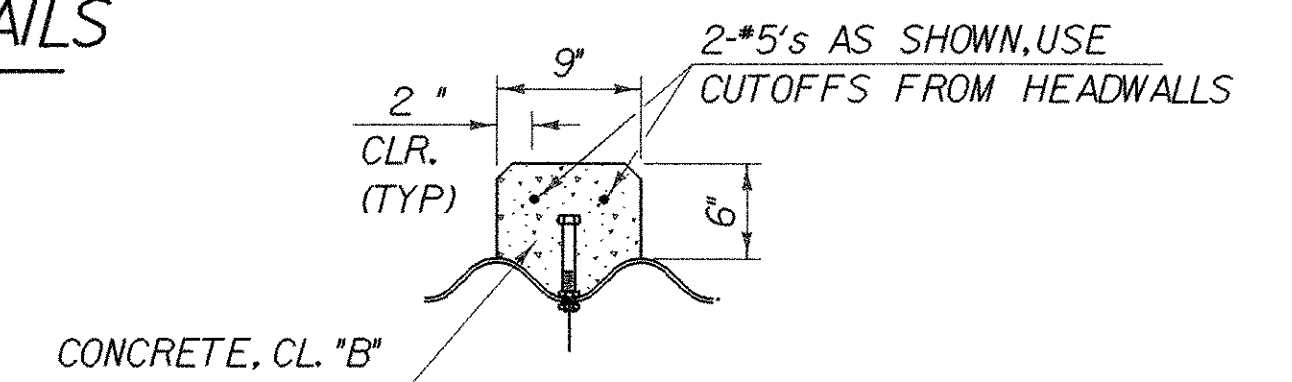
SCALE: 3/8" = 1'-0"



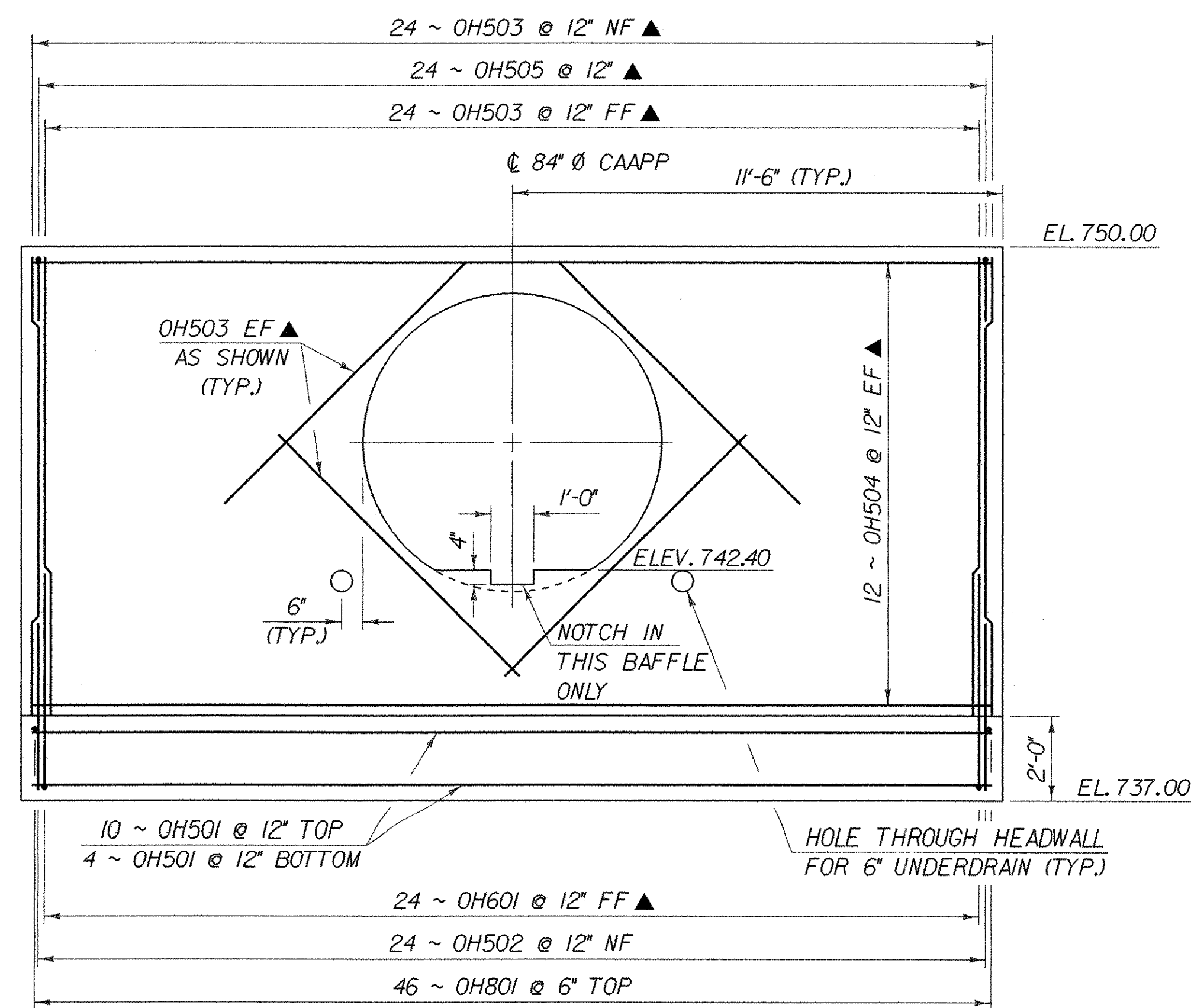
PARTIAL PIPE SECTION

PIPE BAFFLE DETAILS

SCALE: 1" = 1'-0"

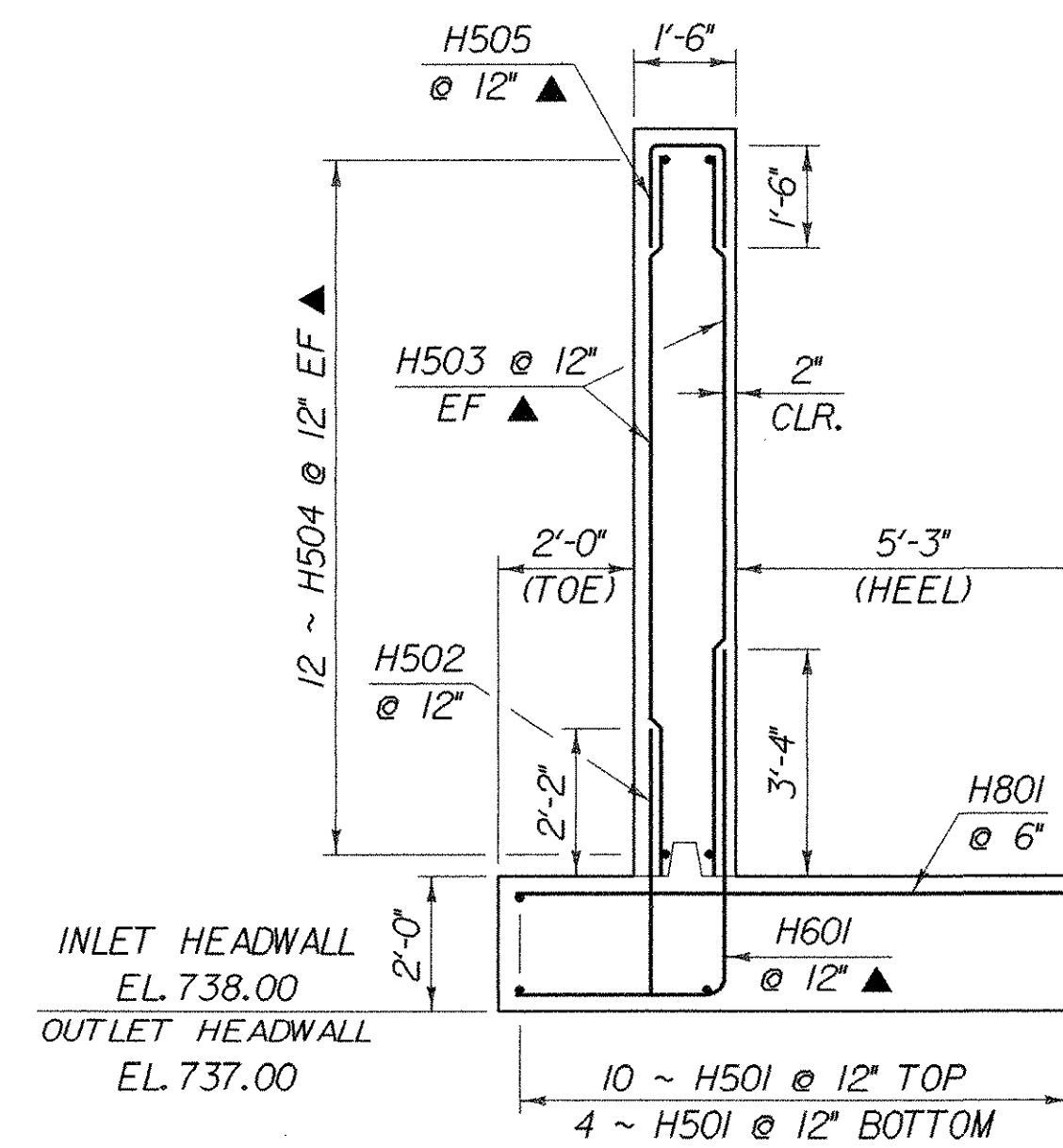


SECTION A - A



OUTLET HEADWALL ELEVATION

SCALE: 3/8" = 1'-0"



TYPICAL HEADWALL & WINGWALL SECTION

SCALE: 3/8" = 1'-0"

NOTE:

- NF = NEAR FACE
 - FF = FAR FACE
 - EF = EACH FACE
 - ▲ = CUT TO FIT IN FIELD
- 3" CLR. UNLESS OTHERWISE SPECIFIED ON THE PLANS.

THE BAFFLES LOCATED WITHIN THE PIPE SHALL NOT BE INSTALLED UNTIL THE FULL DEPTH OF THE GRANULAR BORROW BACKFILL HAS BEEN PLACED.

ALL COSTS OF PLACING THE PIPE BAFFLES SHALL BE INCLUDED IN THE PRICE BID FOR THE 8" CAAPP.

SEE SHEET 10 FOR BAFFLE LOCATIONS. THE SPACING WILL BE ADJUSTED TO BE CENTERED ON THE NEAREST CORRUGATION VALLEY.

STATE OF VERMONT AGENCY OF TRANSPORTATION

Town Of	DERBY	Bridge No.	13
Highway No.	T. H. 6	Log Sta.	
	T. H. 6 OVER BROOK	Surv. Sta.	
OUTLET HEADWALL DETAILS			
Designed By	R. WHITCOMB	Drawn By	G. ROY
Checked By	R. WHITCOMB	Date	12/95
		Bridge Design Supervisor	J. H. WEAVER
		Date	12/95
PROJECT	DERBY	PROJECT NO.	TH 2 - 8910
I.G.C. Info. /str3/88/III/s/IIIhw.dgn		s/jllhw.j	
Bridge Sheet No.		Sheet	13 of 29