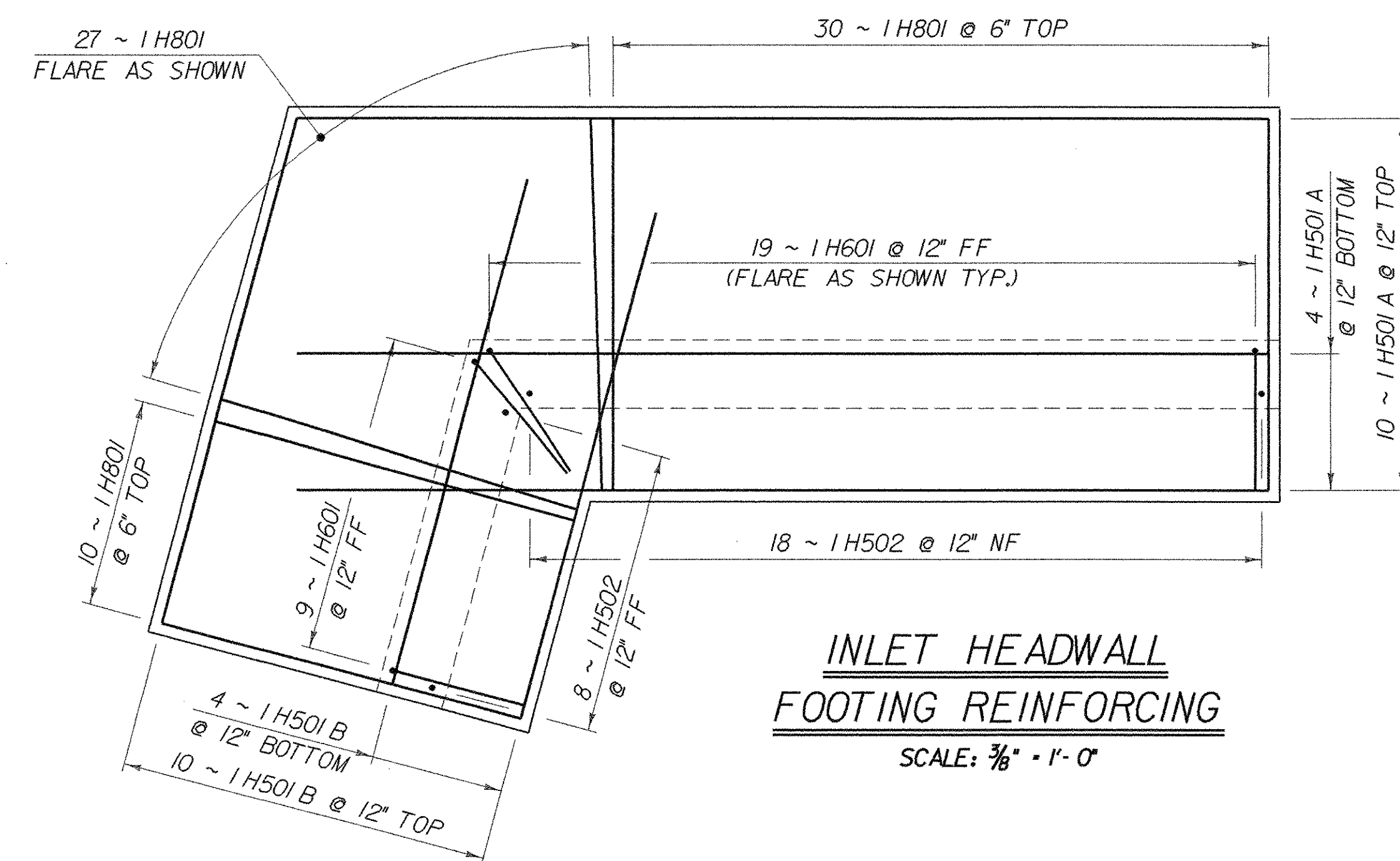
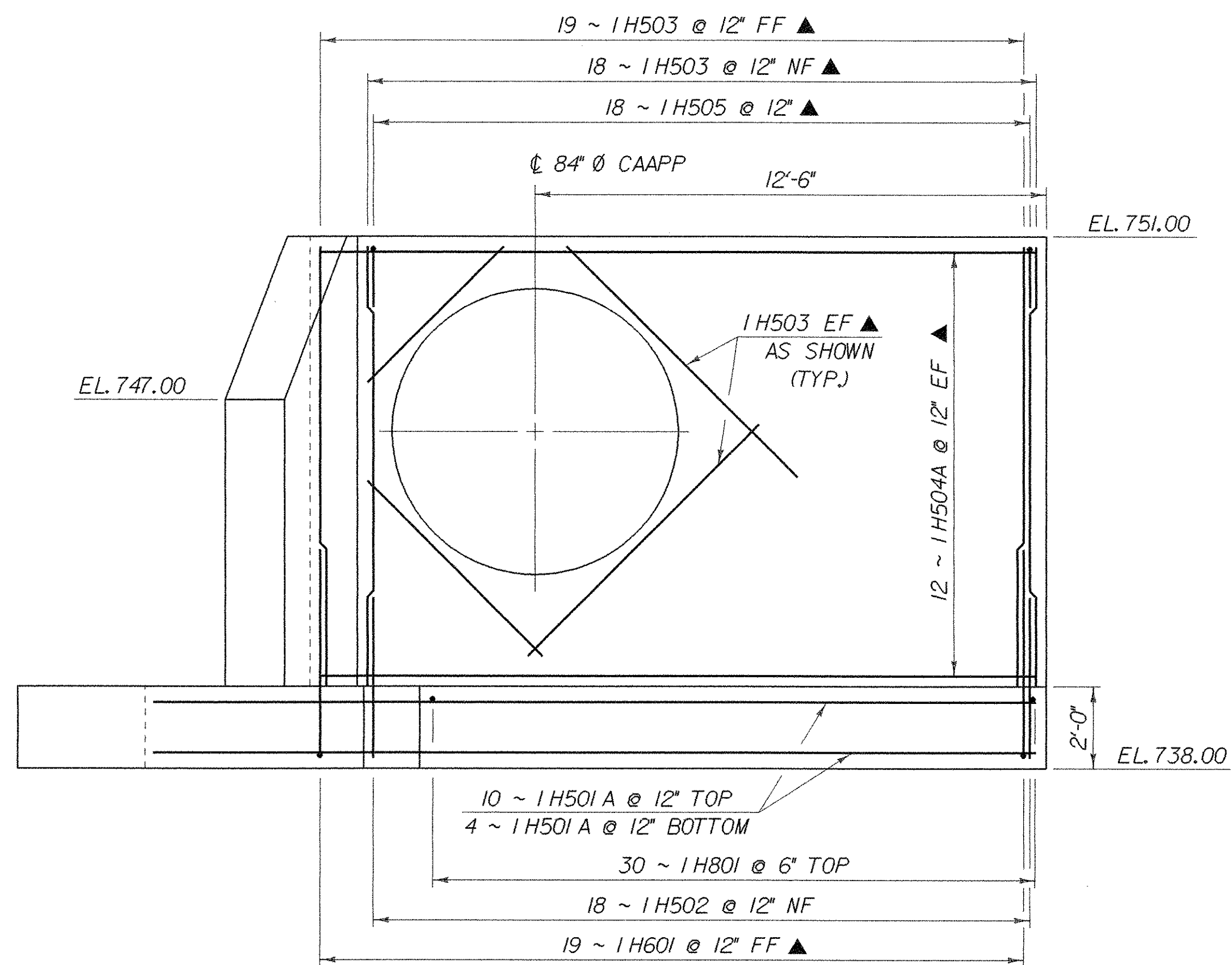


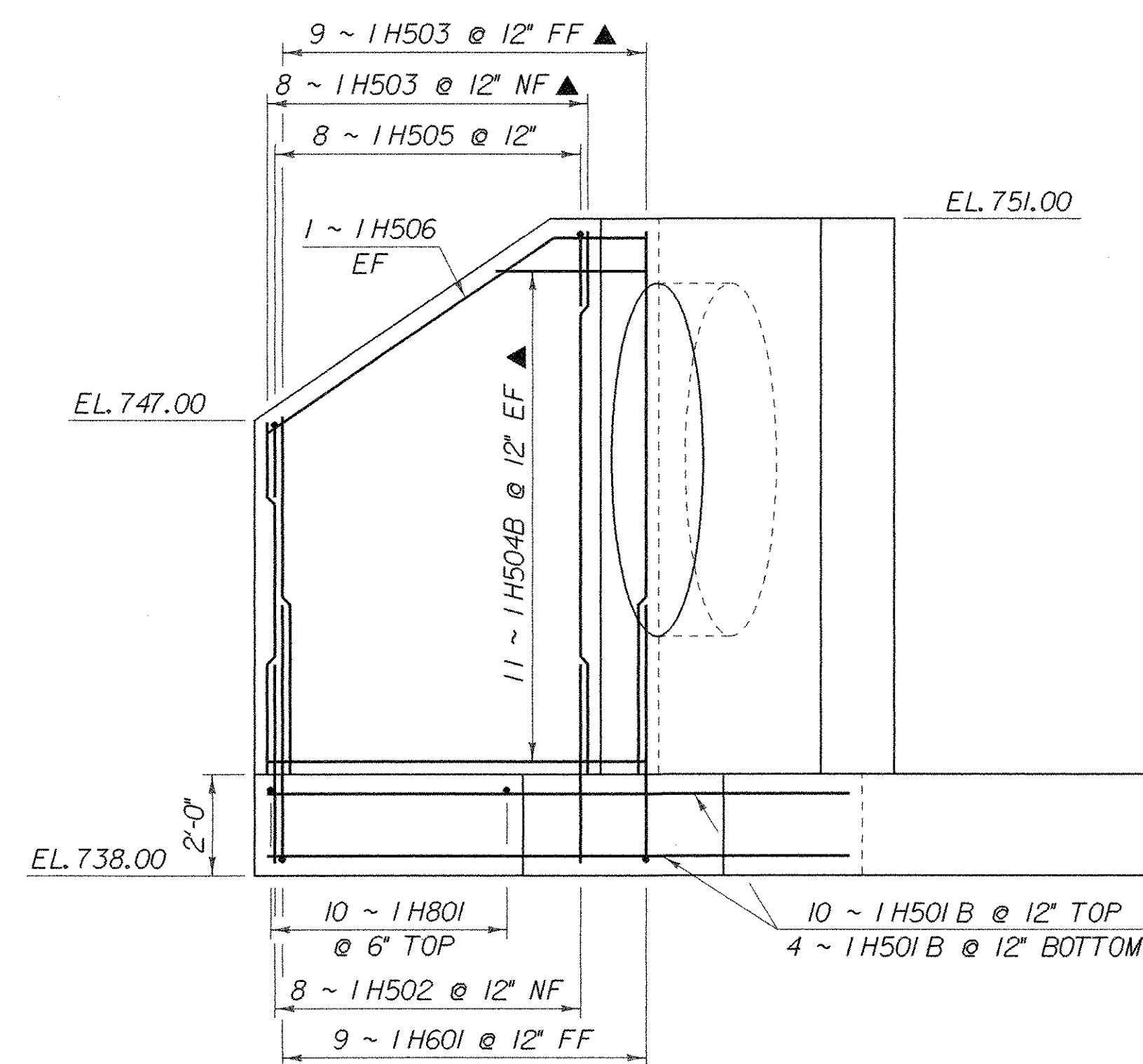
INLET HEADWALL PLAN
SCALE: 3/8" = 1'-0"



INLET HEADWALL FOOTING REINFORCING
SCALE: 3/8" = 1'-0"



INLET HEADWALL ELEVATION
SCALE: 3/8" = 1'-0"



WINGWALL ELEVATION
SCALE: 3/8" = 1'-0"

NOTE:

- NF = NEAR FACE
- FF = FAR FACE
- EF = EACH FACE
- ▲ = CUT TO FIT IN FIELD
- 3" CLR. UNLESS OTHERWISE SPECIFIED ON THE PLANS.

STATE OF VERMONT AGENCY OF TRANSPORTATION

Town Of	DERBY	Bridge No.	13
Highway No.	T. H. 6	Log Sta.	_____
		Surv. Sta.	_____
T. H. 6 OVER BROOK			
INLET HEADWALL DETAILS			
Designed By	R. WHITCOMB	Drawn By	G. ROY
Checked By	R. WHITCOMB	Bridge Design Supervisor	J. H. WEAVER
Date	12/95	Date	12/95
PROJECT	DERBY	PROJECT NO.	TH 2 - 8910
I.G.C. Info. /str3/88jll/sjllthw.dgn		sjllthw.j	
Bridge Sheet No.		Sheet	12 of 29