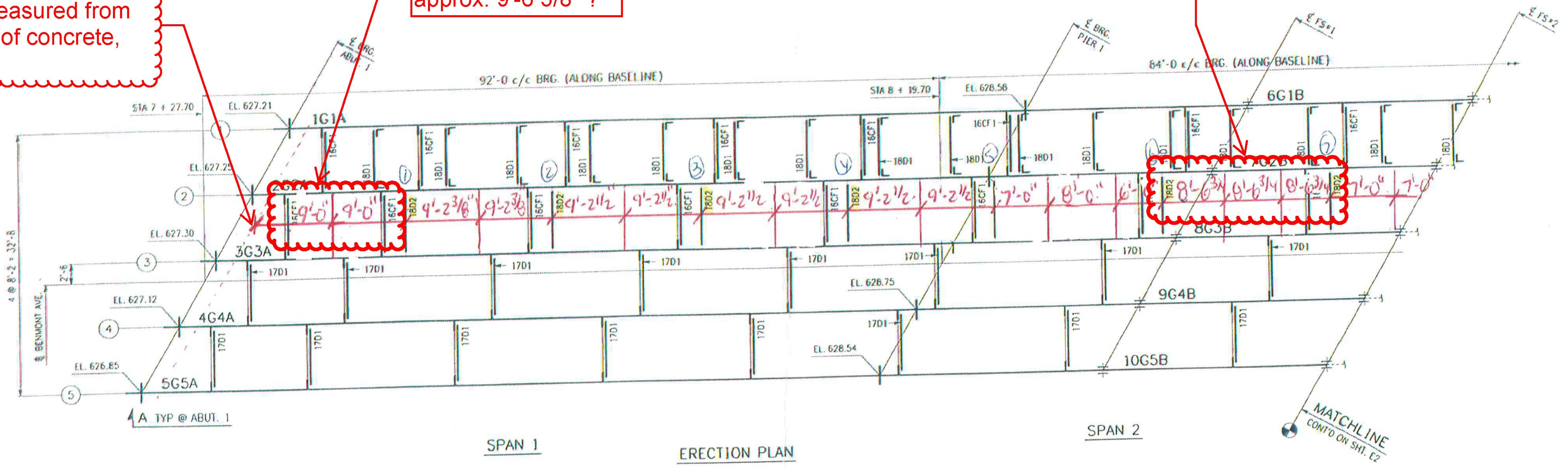


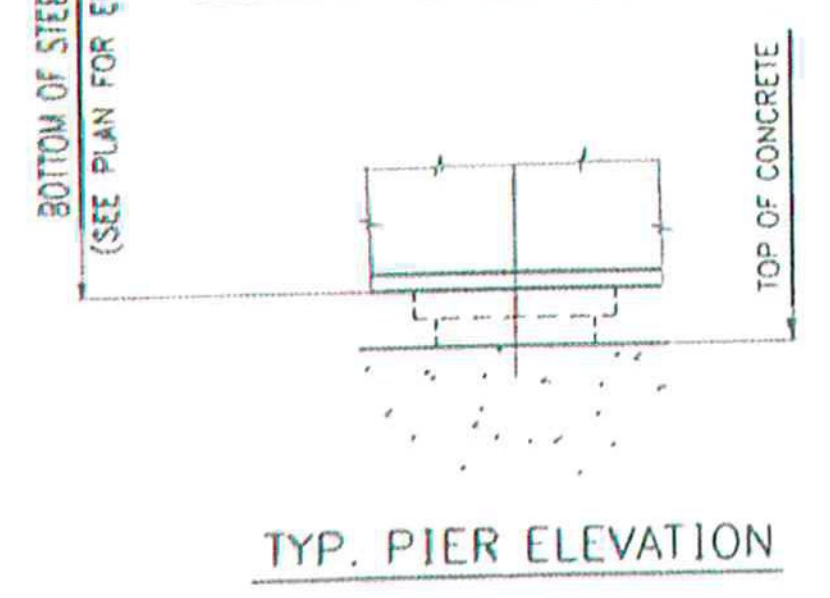
Assume proposing to measured from face of concrete, OK.

Should this be 2 @ approx. 9'-6 5/8" ?

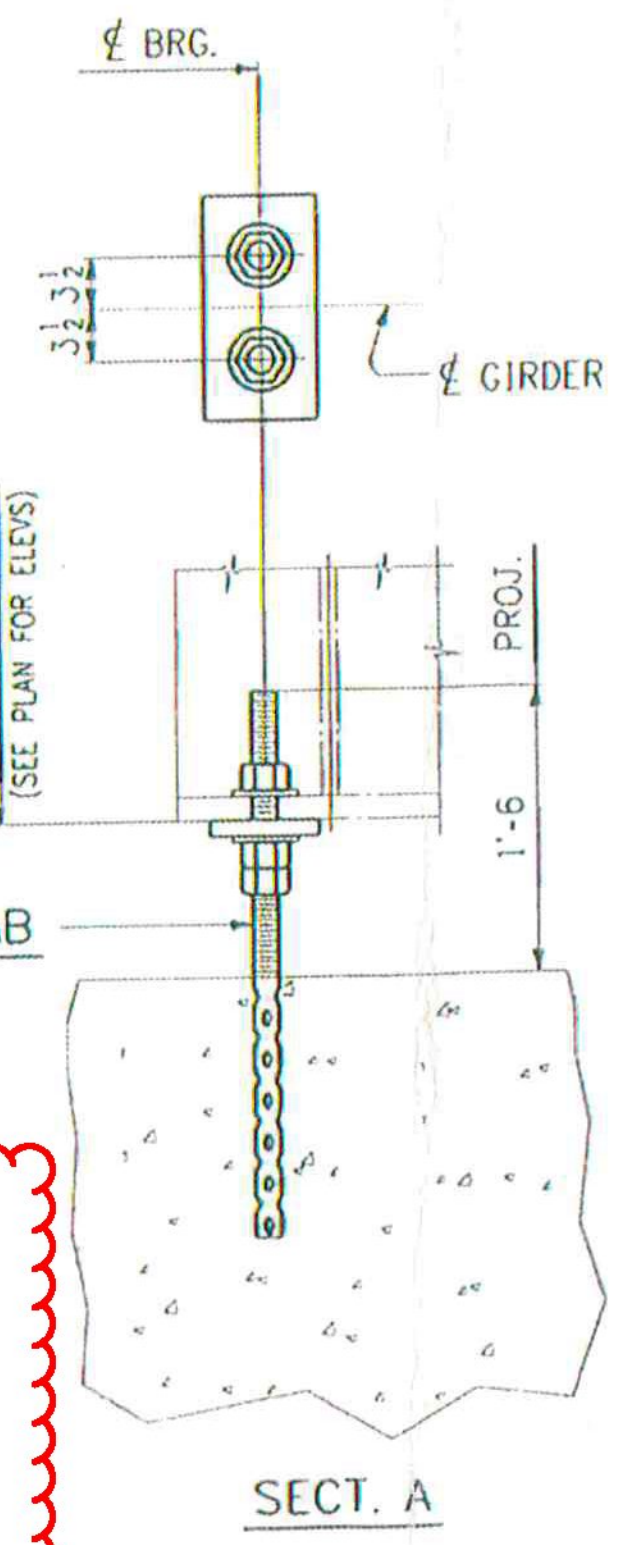
Should this be 3 @ approx. 7'-0" ?



**CONTRACTOR NOTE:**  
ELEVATIONS ARE GIVEN TO BOTTOM OF STEEL - DO NOT POUR TO FINAL ELEVATIONS WITHOUT VERIFICATION OF BEARING HEIGHTS AND BRIDGE SEATS.



LEVELING BOLT ASSEMBLY ~ 19AB  
(ABUT. 1 & 2)



Ok with general spacings as indicated. Did find some minor discrepancies with summations for spacings in comparison to locations of utility supports shown in approved shop drawings. Just check/verify spacings as noted.

- NOTES:**
- FOR GENERAL NOTES, SEE DWG. GN1.
  - ALL DIMENSIONS ARE GIVEN IN A HORIZONTAL PLANE.

**T.Y. LIN INTERNATIONAL**  
THE STAMPED DOCUMENTS ARE HEREBY:

APPROVED  
 APPROVED AS NOTED  
 REVISE AND RESUBMIT

SEE TRANSMITTAL FOR ADDITIONAL INFORMATION AS APPLICABLE.

THIS REVIEW IS FOR GENERAL CONFORMANCE WITH DESIGN CONCEPT ONLY. ANY DEVIATION FROM THE PLANS OR SPECIFICATIONS NOT CLEARLY NOTED BY THE CONTRACTOR HAS NOT BEEN REVIEWED. REVIEW BY THE ENGINEER SHALL NOT RELIEVE THE CONTRACTOR OF THE CONTRACTUAL RESPONSIBILITY FOR ANY ERRORS OR DEVIATION FROM THE CONTRACT REQUIREMENTS.

\_\_\_\_\_  
RICK HEBERT  
REVIEWER

\_\_\_\_\_  
7/8/2015  
DATE

NO.	DATE	REMARKS	BY
REVISIONS			
		<b>CASCO BAY STEEL STRUCTURES</b> ONE WALLACE AVENUE PHONE: 207-780-6722 SOUTH PORTLAND, ME 04106 FAX: 207-780-6726	
STRUCTURE <u>BENMONT AVE. (TH-7) (URBAN MINOR ARTERIAL)</u>			
LOCATION <u>TOWN OF BENNINGTON, VERMONT</u>			
PROJECT NO. <u>BRIDGE NO. 57 PROJECT NO. BR 1000(16)</u>			
ENGINEER <u>STATE OF VERMONT AGENCY OF TRANSPORTATION</u>			
CUSTOMER <u>ALPINE CONSTRUCTION</u>			
ITEM <u>ERECTION PLAN</u>			
SURFACE PREP. <u>OPEN HOLES</u>			
PAINT _____			
APPROVAL	DRAWN <u>FM</u>	12-3-14	SHEET NO. <u>E1</u>
SHOP	CHECKED <u>FM</u>	1-6-15	JOB NO. <u>605</u>