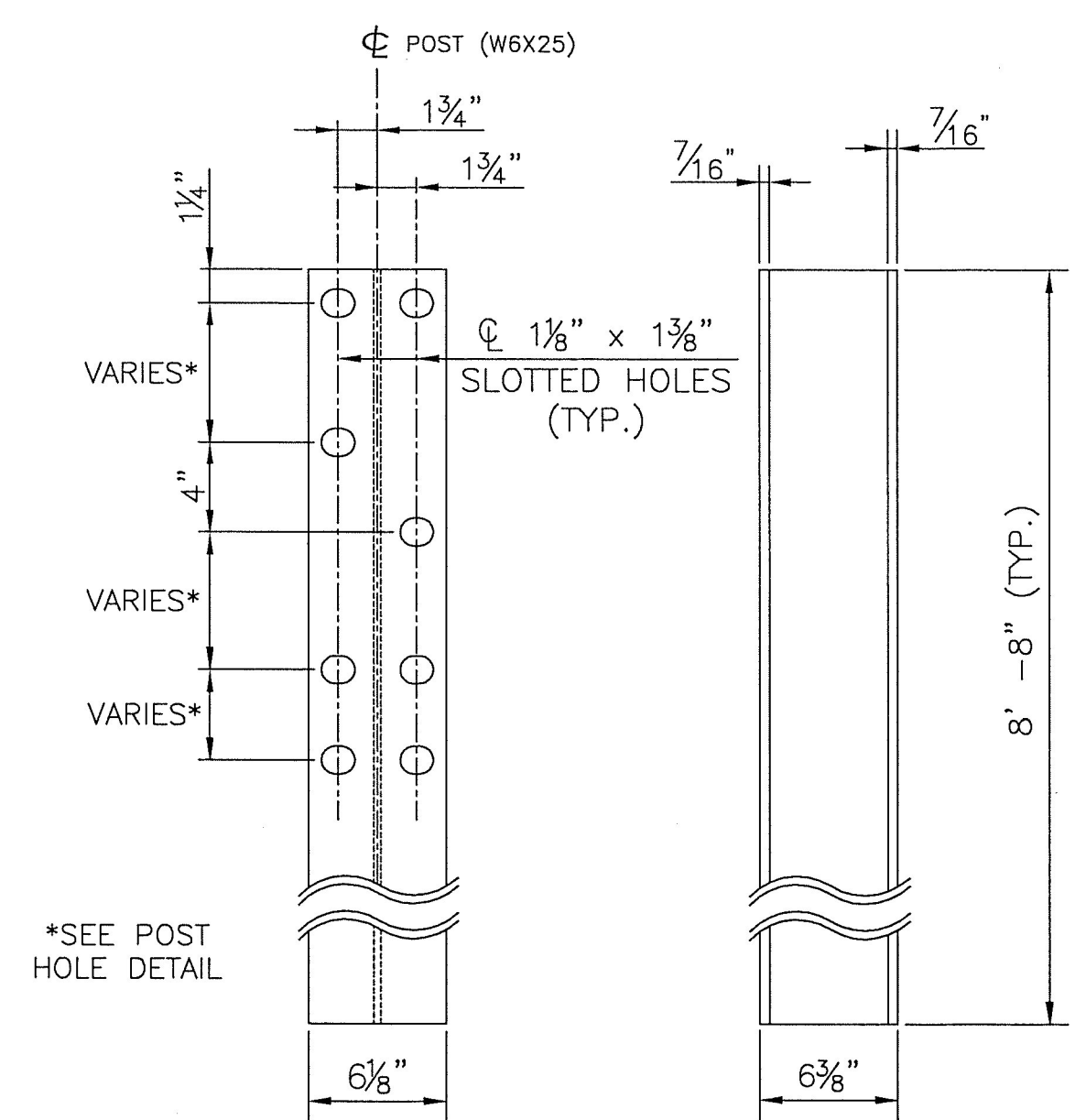


BRIDGE RAILING ELEVATION

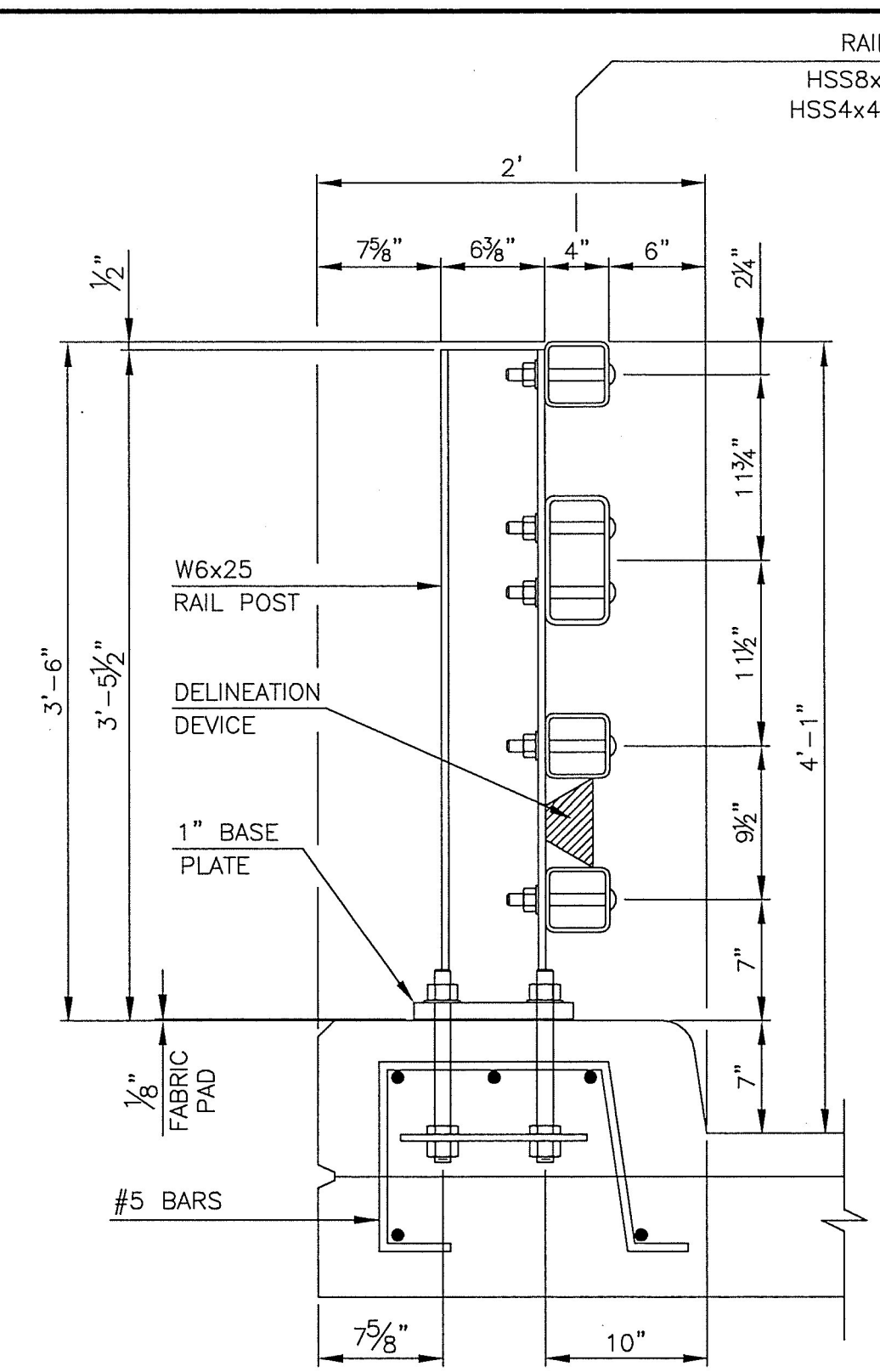
T.Y. LIN INTERNATIONAL
 THE STAMPED DOCUMENTS ARE HEREBY:
 APPROVED
 APPROVED AS NOTED
 REVISE AND RESUBMIT

SEE TRANSMITTAL FOR ADDITIONAL INFORMATION AS APPLICABLE.
 THIS REVIEW IS FOR GENERAL CONFORMANCE WITH DESIGN CONCEPT ONLY. ANY DEVIATION FROM THE PLANS OR SPECIFICATIONS NOT CLEARLY NOTED BY THE CONTRACTOR HAS NOT BEEN REVIEWED. REVIEW BY THE ENGINEER SHALL NOT RELIEVE THE CONTRACTOR OF THE CONTRACTUAL RESPONSIBILITY FOR ANY ERRORS OR DEVIATION FROM THE CONTRACT REQUIREMENTS.

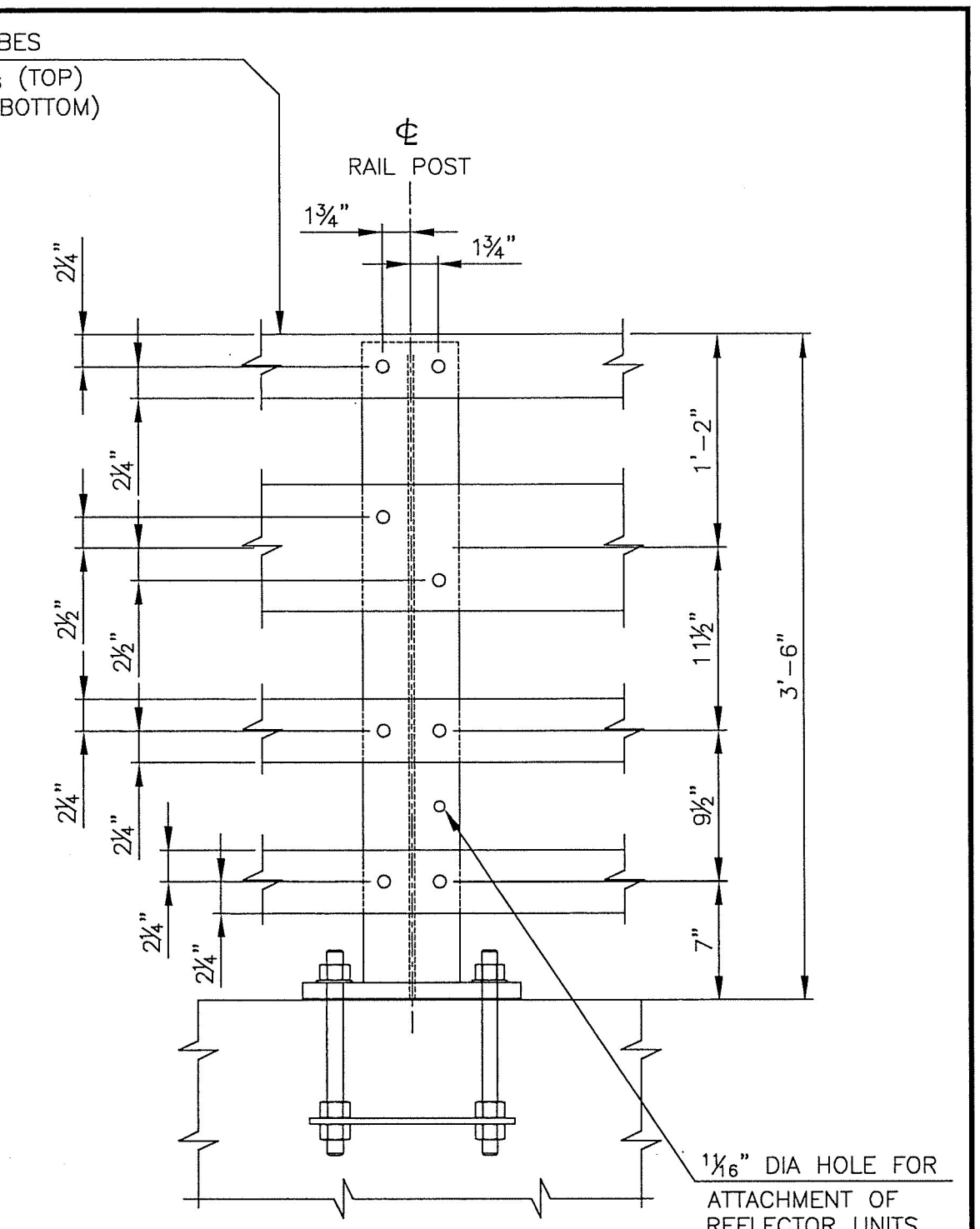
RICK HEBERT REVIEWER 3/30/2015 DATE



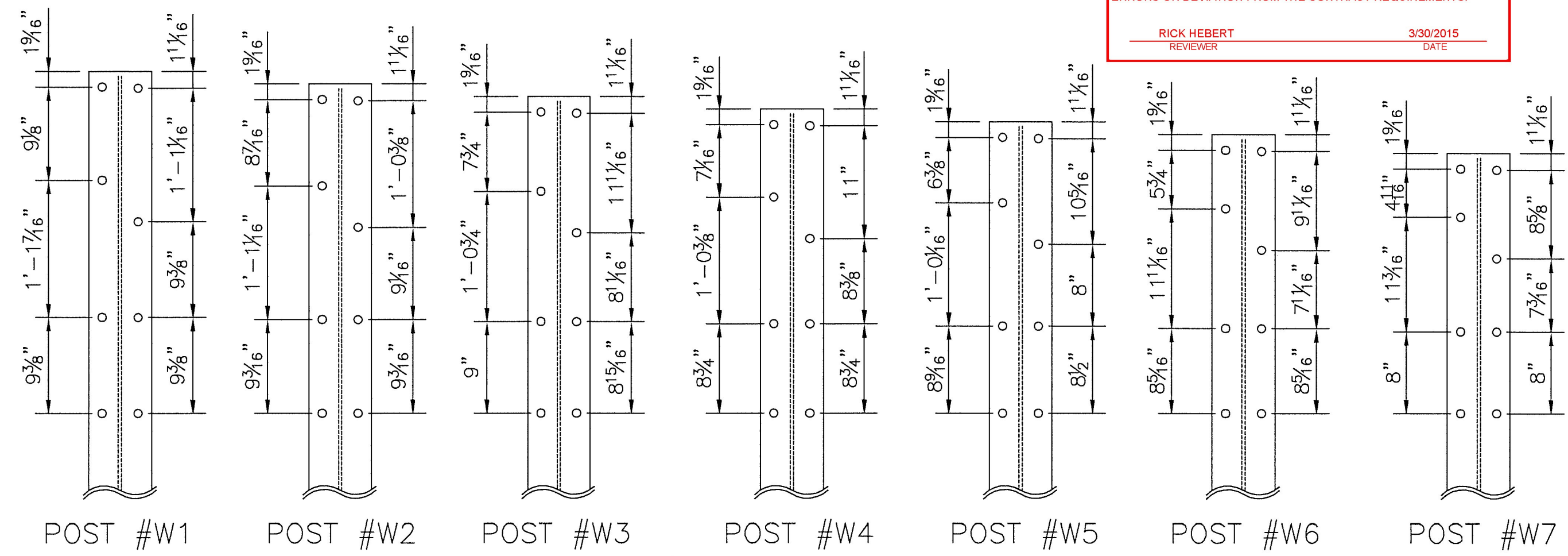
RAIL POST (NOT TO SCALE)



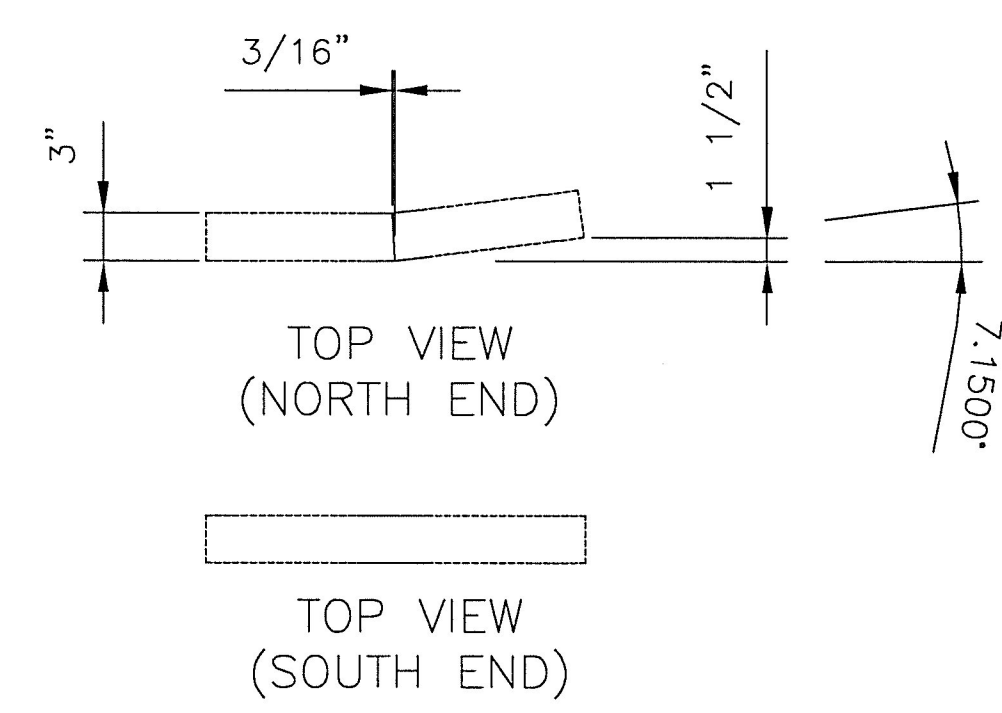
TYPICAL SECTION



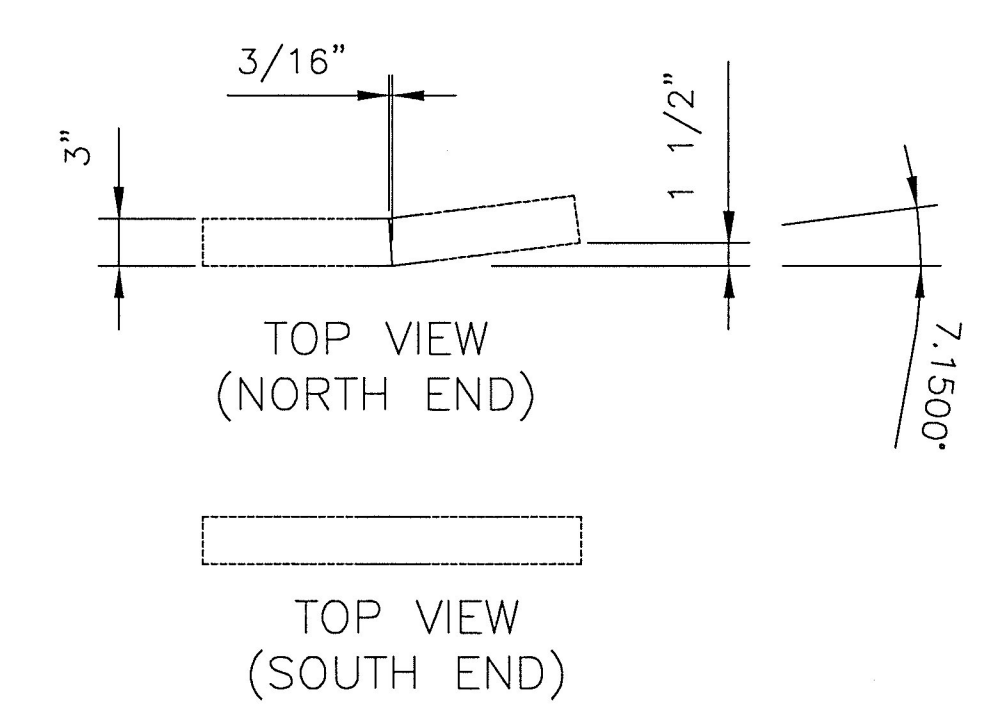
PARTIAL RAIL ELEVATION



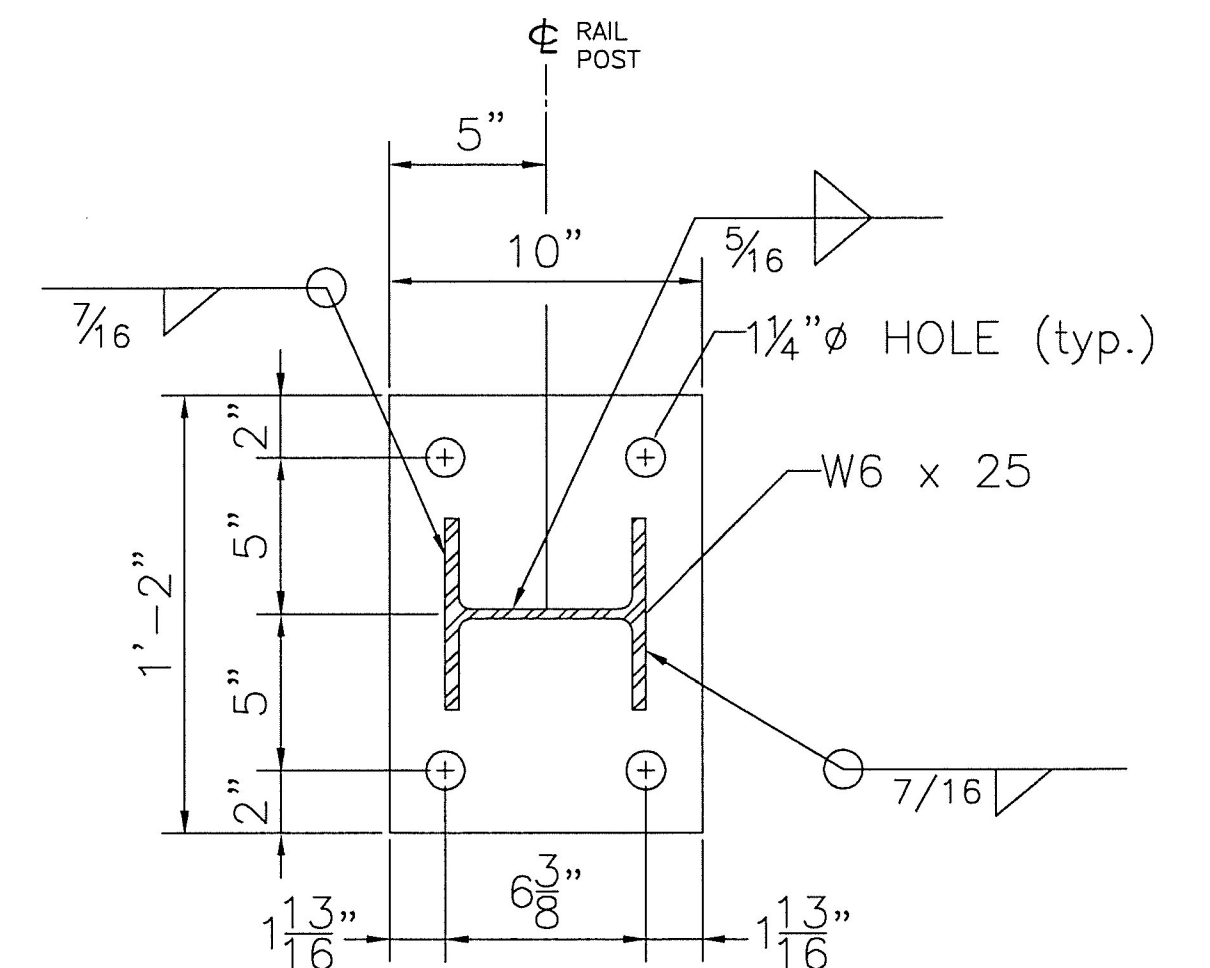
WEST APPROACH POST HOLE DETAIL



TOP VIEW (SOUTH END)

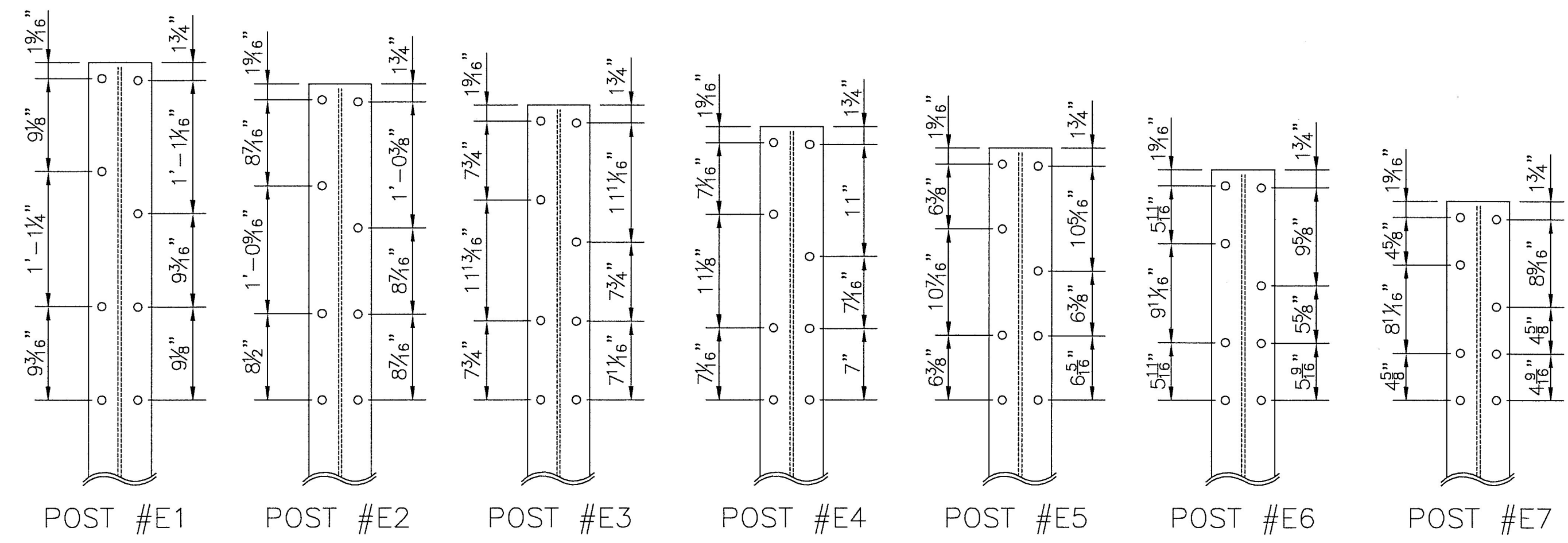


TOP VIEW (SOUTH END)

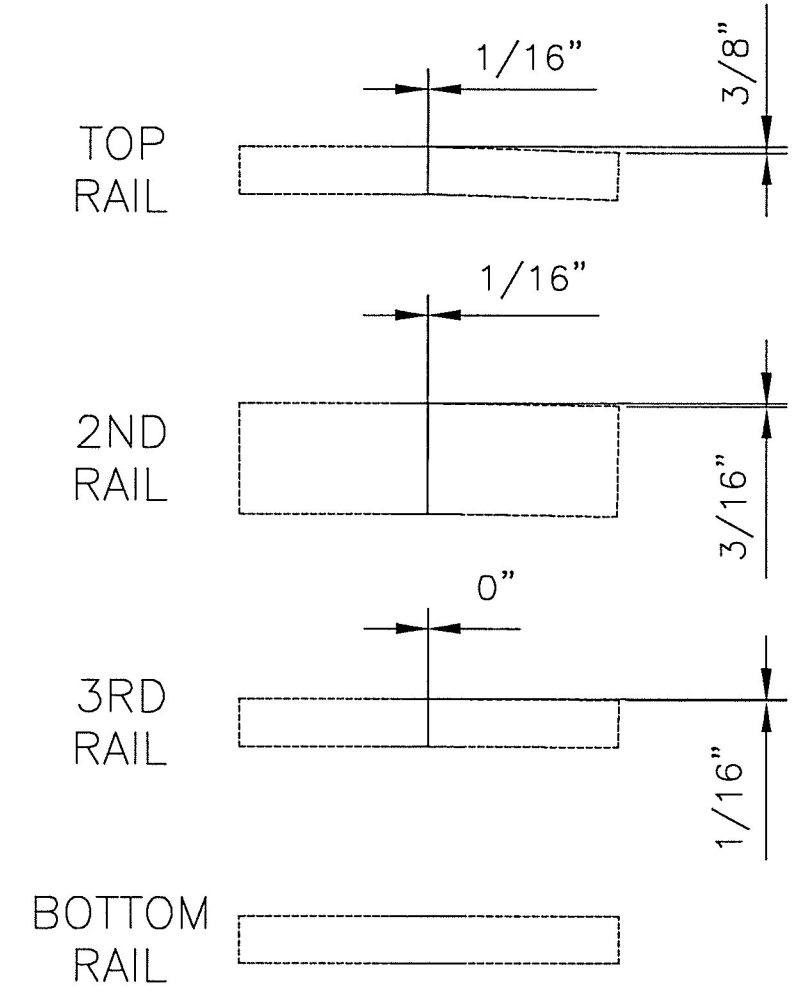


POST BASE PLATE
 1" x 10" x 14" BASE PLATE

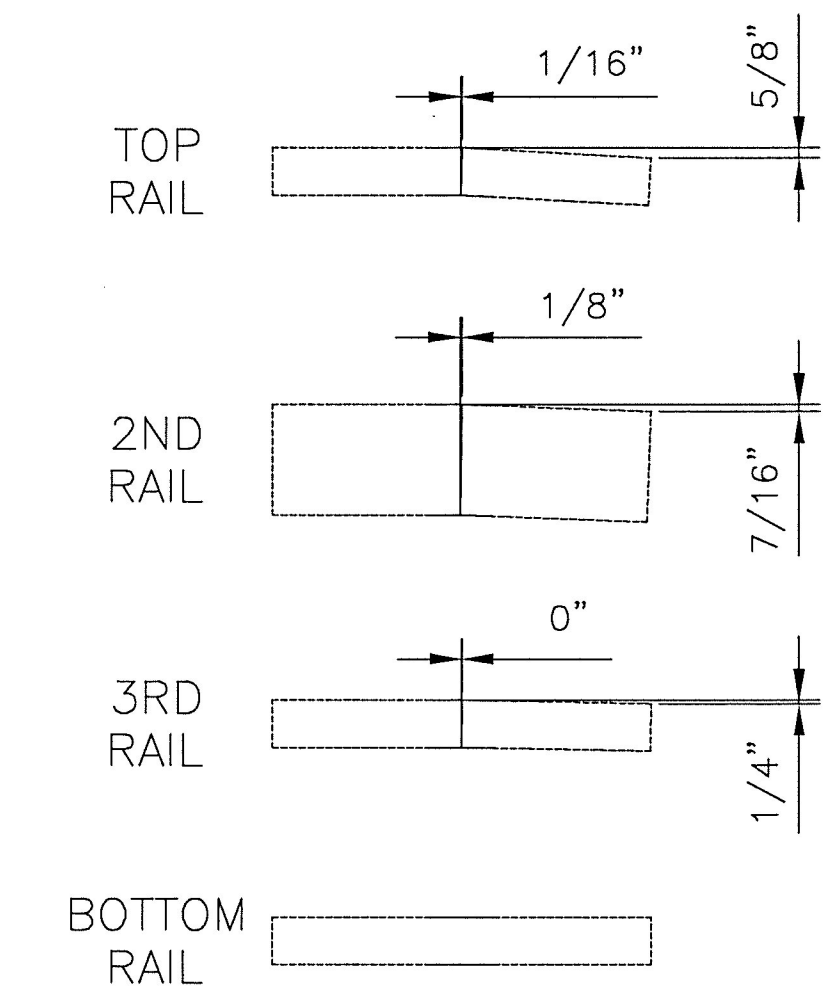
NOTE:
 BEARING PAD TO HAVE SAME SHAPE AND DIMENSIONS AS BASE PLATE.



EAST APPROACH POST HOLE DETAIL



WEST APPROACH SPLICE TUBES



EAST APPROACH SPLICE TUBES

HIGHWAY SAFETY CORP
 GLASTONBURY, CT
 860-633-9445

ITEM 525.34 4-BAR BRIDGE RAIL
 BRIDGE IMPROVEMENT
 BENMONT AVE. OVER ROARING BRANCH RIVER
 B.I.N. 57 P.I.N. BR 1000 (16)
 TOWN OF BENNINGTON, BENNINGTON COUNTY

GENERAL CONTRACTOR
 SUB CONTRACTOR
 LAFAYETTE

DATE 2-17-15 SCALE NONE SIZE D

HSC JOB NO. 2026
 SHEET NO. 4 of 6