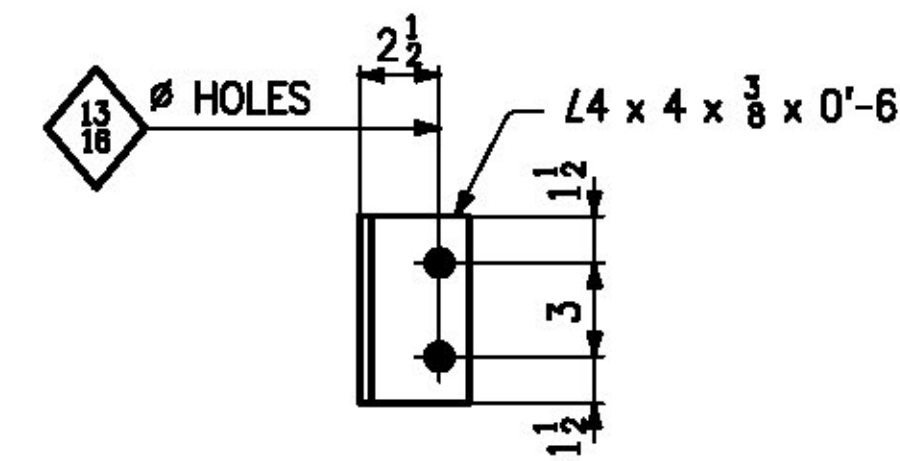
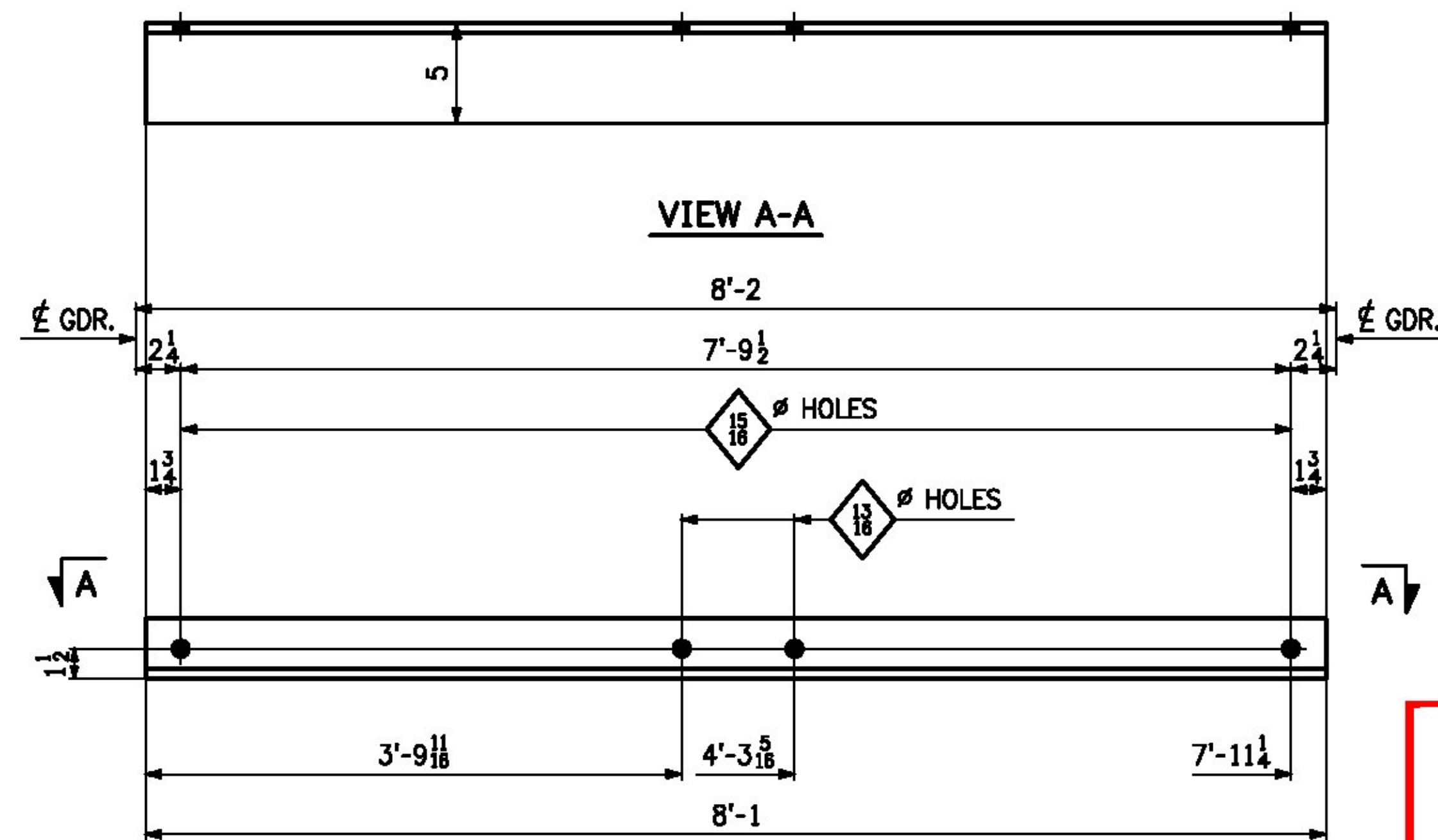


28 ~ WATERLINE UTILITY SUPPORT ~ 18D1



DETAIL OF b18



13 ~ 6" DUCT BANK SUPPORTS ~ 18D2

LINE NO.	NO. OF PCS.	SHIP MARK	ASS'Y MARK	MATERIAL					REMARKS	
				SHAPE	SECTION	LENGTH FT.	IN.	MATERIAL SPEC.		ITEM NO.
1	28	18D1		WATERLINE UTILITY SUPPORTS					7182 lbs.	
2	28		a18	W	8 x 31	7	11 1/2	M270-50W	6	6908 lbs.
3	56		b18	L	4 x 4 x 3/8	0	6	M270-50W	7	274 lbs.
4				DUCT BANK SUPPORTS						
6	13	18D2		L	5 x 3 x 3/8	8	1	M270-50W	5	1030 lbs.
7										
8										
9										
10										
11										
12										
13										
14										
15										
16										
17										
18										
19										
20										
21										
22										
23										
24										
25										

NOTES:

- FOR GENERAL NOTES, SEE SHIT. GN1.

T.Y. LIN INTERNATIONAL

THE STAMPED DOCUMENTS ARE HEREBY:

- APPROVED
- APPROVED AS NOTED
- REVISE AND RESUBMIT

SEE TRANSMITTAL FOR ADDITIONAL INFORMATION AS APPLICABLE.

THIS REVIEW IS FOR GENERAL CONFORMANCE WITH DESIGN CONCEPT ONLY. ANY DEVIATION FROM THE PLANS OR SPECIFICATIONS NOT CLEARLY NOTED BY THE CONTRACTOR HAS NOT BEEN REVIEWED. REVIEW BY THE ENGINEER SHALL NOT RELIEVE THE CONTRACTOR OF THE CONTRACTUAL RESPONSIBILITY FOR ANY ERRORS OR DEVIATION FROM THE CONTRACT REQUIREMENTS.

RICK HEBERT
REVIEWER

2/2/2015
DATE

NO.	DATE	REMARKS	BY
REVISIONS			
		CASCO BAY STEEL STRUCTURES ONE WALLACE AVENUE PHONE: 207-780-6722 SOUTH PORTLAND, ME 04106 FAX: 207-780-6726	
STRUCTURE	BENMONT AVE. (TH-7) (URBAN MINOR ARTERIAL)		
LOCATION	TOWN OF BENNINGTON, VERMONT		
PROJECT NO.	BRIDGE NO. 57 PROJECT NO. BRF 1000(16)		
ENGINEER	STATE OF VERMONT AGENCY OF TRANSPORTATION		
CUSTOMER	ALPINE CONSTRUCTION		
ITEM	UTILITY SUPPORTS		
SURFACE PREP.	SSPC-SP10	OPEN HOLES	AS NOTED
PAINT	NONE		
APPROVAL	DRAWN GDC 12-5-14	SHEET NO.	JOB NO.
SHOP	CHECKED FA 1-6-15	18	605