

T.Y. LIN INTERNATIONAL

THE STAMPED DOCUMENTS ARE HEREBY:

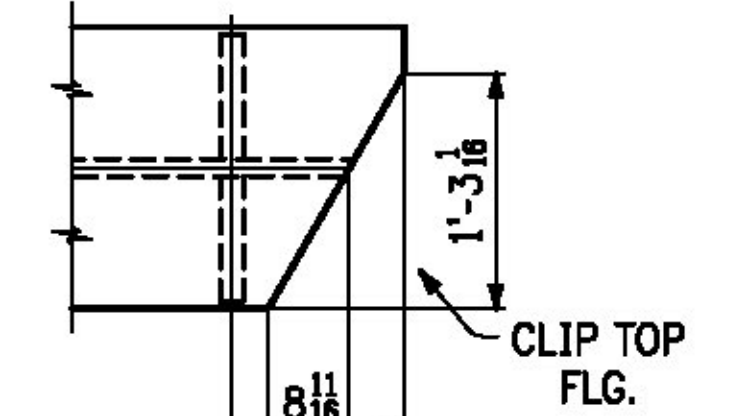
- APPROVED
- APPROVED AS NOTED
- REVISE AND RESUBMIT

SEE TRANSMITTAL FOR ADDITIONAL INFORMATION AS APPLICABLE

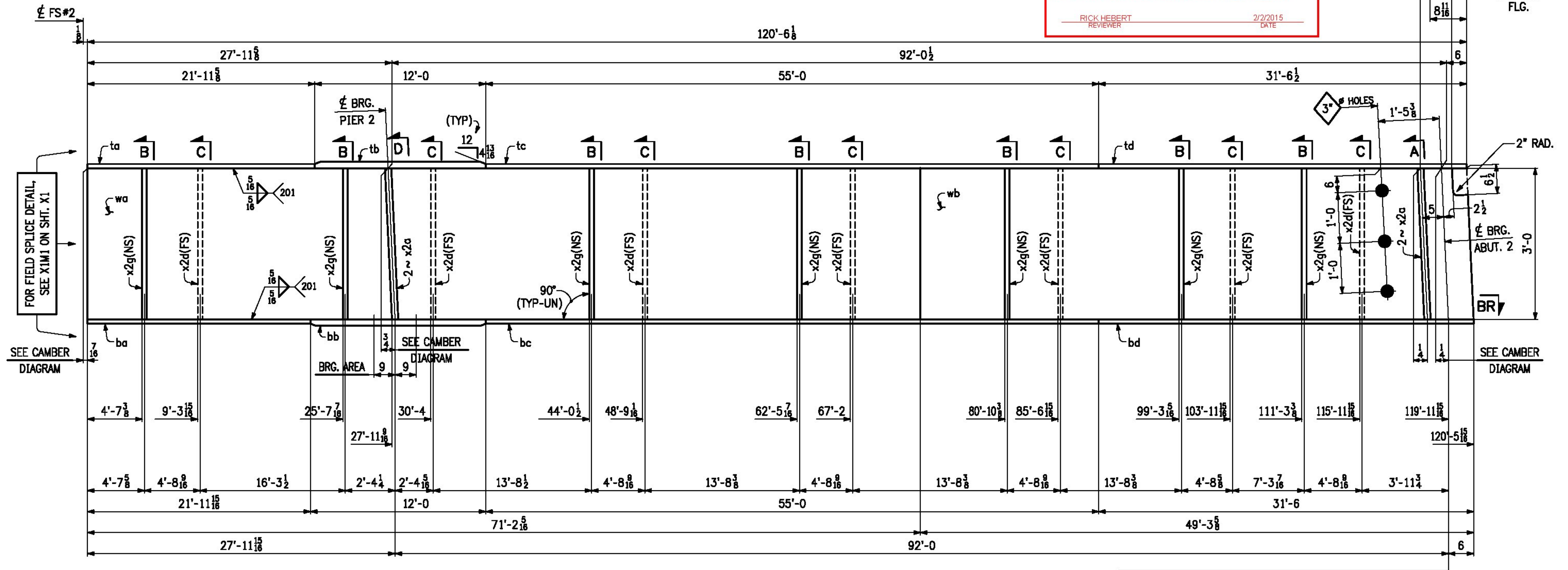
THIS REVIEW IS FOR GENERAL CONFORMANCE WITH DESIGN CONCEPT ONLY. ANY DEVIATION FROM THE PLANS OR SPECIFICATIONS NOT CLEARLY NOTED BY THE CONTRACTOR HAS NOT BEEN REVIEWED. REVIEW BY THE ENGINEER SHALL NOT RELIEVE THE CONTRACTOR OF THE CONTRACTUAL RESPONSIBILITY FOR ANY ERRORS OR DEVIATION FROM THE CONTRACT REQUIREMENTS.

RICK HEBERT
REVIEWER

2/2/2015
DATE



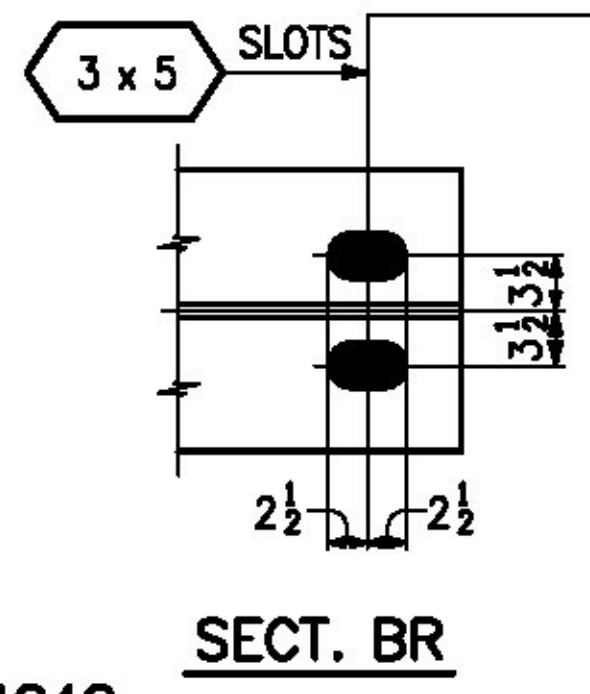
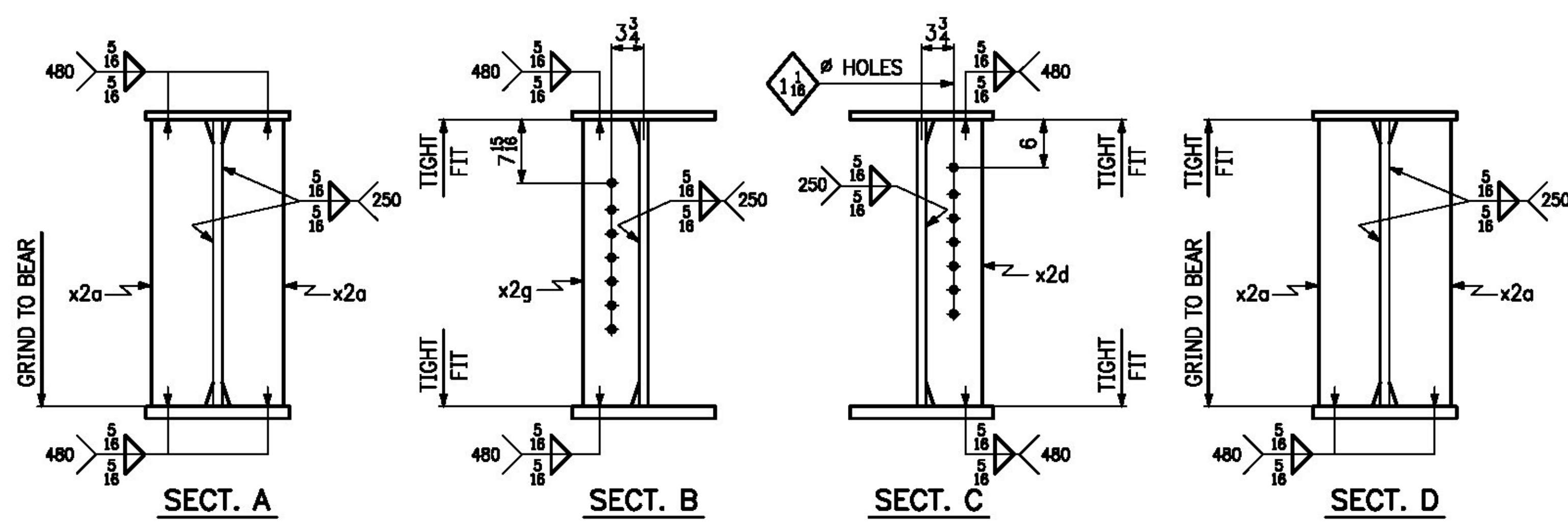
CLIP TOP FLG.



FOR FIELD SPLICE DETAIL, SEE X1M1 ON SHT. X1

SEE CAMBER DIAGRAM

SEE CAMBER DIAGRAM



SECT. BR

ONE ~ GIRDER ~ 14G4C

- FOR GIRDER STANDARD DETAILS, SEE SHT. X2.
- FOR WEB CUTTING DIAGRAM, SEE SHT. C5.
- FOR FLANGE CUTTING DIAGRAMS, SEE SHT. C5.
- FOR GENERAL NOTES, SEE SHT. GN1.
- "BRG. AREA" INDICATES AREA THAT MUST BE FLAT TO PROVIDE A UNIFORM EVEN CONTACT WITH SOLE PLATE.

NO.	DATE	REMARKS	BY
REVISIONS			
		CASCO BAY STEEL STRUCTURES ONE WALLACE AVENUE SOUTH PORTLAND, ME 04106 PHONE: 207-780-6722 FAX: 207-780-6726	
STRUCTURE		BENMONT AVE. (TH-7) (URBAN MINOR ARTERIAL)	
LOCATION		TOWN OF BENNINGTON, VERMONT	
PROJECT NO.		BRIDGE NO. 57 PROJECT NO. BRF 1000(16)	
ENGINEER		STATE OF VERMONT AGENCY OF TRANSPORTATION	
CUSTOMER		ALPINE CONSTRUCTION	
ITEM		GIRDER ~ 14G4C	
SURFACE PREP.		SSPC-SP10	OPEN HOLES 1 1/8" (UN)
PAINT		NONE	
APPROVAL	DRAWN GDC	12-9-14	SHEET NO. 14AB
SHOP	CHECKED FM	1-6-15	JOB NO. 605