

T.Y. LIN INTERNATIONAL

THE STAMPED DOCUMENTS ARE HEREBY:

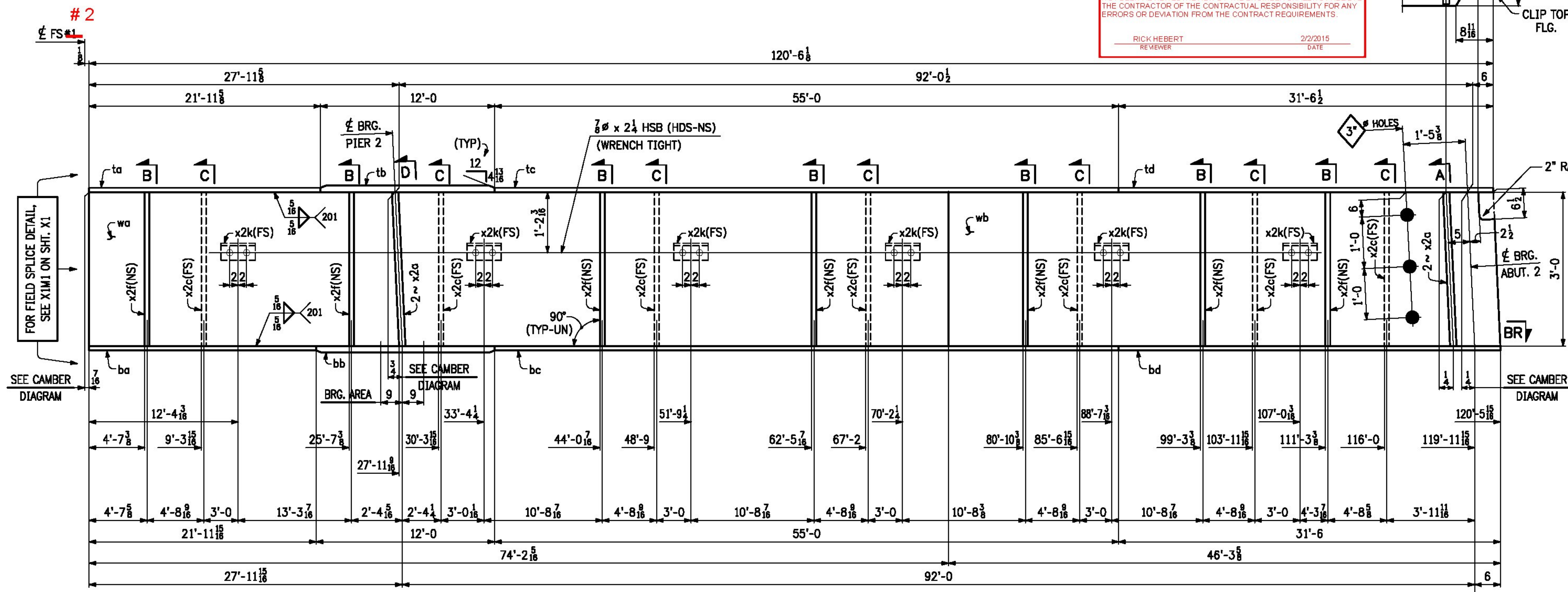
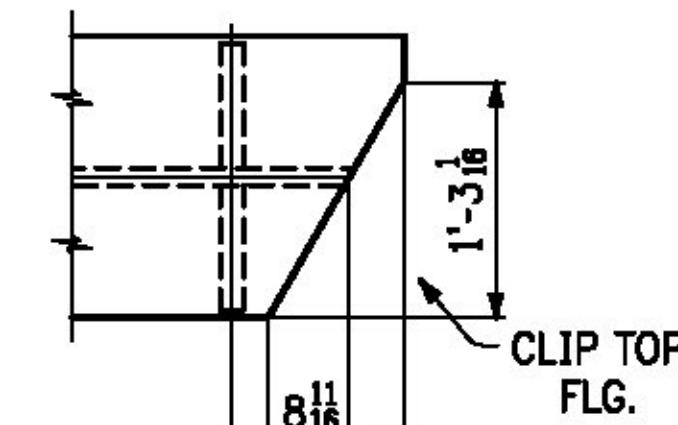
- APPROVED
- X — APPROVED AS NOTED
- REVISE AND RESUBMIT

SEE TRANSMITTAL FOR ADDITIONAL INFORMATION AS APPLICABLE.

THIS REVIEW IS FOR GENERAL CONFORMANCE WITH DESIGN CONCEPT ONLY. ANY DEVIATION FROM THE PLANS OR SPECIFICATIONS NOT CLEARLY NOTED BY THE CONTRACTOR HAS NOT BEEN REVIEWED. REVIEW BY THE ENGINEER SHALL NOT RELIEVE THE CONTRACTOR OF THE CONTRACTUAL RESPONSIBILITY FOR ANY ERRORS OR DEVIATION FROM THE CONTRACT REQUIREMENTS.

RICK HEBERT
REVIEWER

2/2/2015
DATE



FOR FIELD SPLICE DETAIL, SEE X1M1 ON SHT. X1

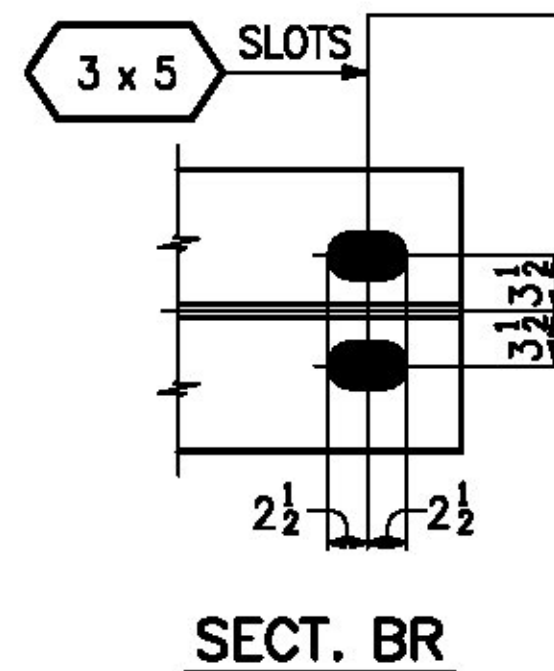
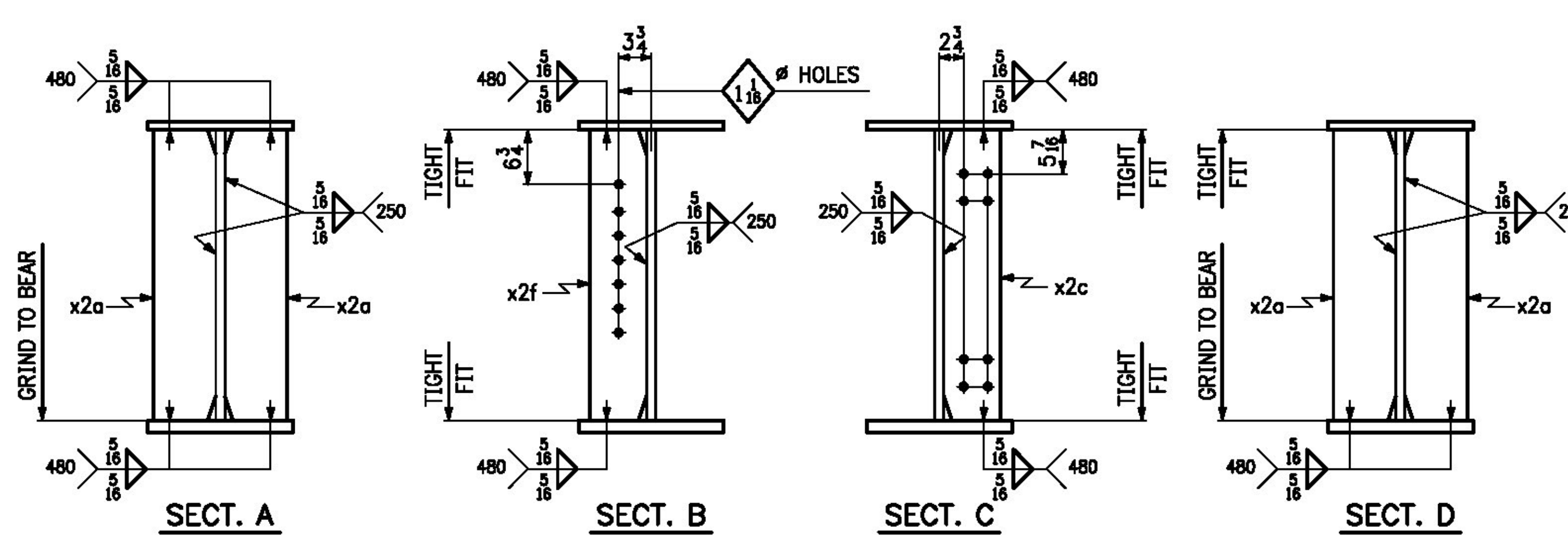
SEE CAMBER DIAGRAM

CLIP TOP FLG.

2" RAD.

BR

SEE CAMBER DIAGRAM



ONE ~ GIRDER ~ 13G3C

- FOR GIRDER STANDARD DETAILS, SEE SHT. X2.
- FOR WEB CUTTING DIAGRAM, SEE SHT. C4.
- FOR FLANGE CUTTING DIAGRAMS, SEE SHT. C4.
- FOR GENERAL NOTES, SEE SHT. GN1.
- "BRG. AREA" INDICATES AREA THAT MUST BE FLAT TO PROVIDE A UNIFORM EVEN CONTACT WITH SOLE PLATE.

NO.	DATE	REMARKS	BY
REVISIONS			
CASCO BAY STEEL		CASCO BAY STEEL STRUCTURES	
ONE WALLACE AVENUE SOUTH PORTLAND, ME 04106		PHONE: 207-780-6722 FAX: 207-780-6726	
STRUCTURE	BENMONT AVE. (TH-7) (URBAN MINOR ARTERIAL)		
LOCATION	TOWN OF BENNINGTON, VERMONT		
PROJECT NO.	BRIDGE NO. 57 PROJECT NO. BRF 1000(16)		
ENGINEER	STATE OF VERMONT AGENCY OF TRANSPORTATION		
CUSTOMER	ALPINE CONSTRUCTION		
ITEM	GIRDER ~ 13G3C		
SURFACE PREP.	SSPC-SP10	OPEN HOLES	1 1/2" (UN)
PAINT	NONE		
APPROVAL	DRAWN GDC 12-9-14	SHEET NO.	JOB NO.
SHOP	CHECKED FM 1-6-15	13AB	605