

LINE	NO. OF PCS.	SHIP MARK	ASSY MARK	MATERIAL						REMARKS
				SHAPE	SECTION	LENGTH FT.	LENGTH IN.	MATERIAL SPEC.	ITEM NO.	
1	1	12G2C		GIRDER						23,406 lbs.
2	1		wa	PL	1/2 x 36	77	6 1/8	M270-50WT2	21	4750 lbs.
3	1		wb	PL	1/2 x 36	43	0 1/2	M270-50WT2	28	2635 lbs.
4	1		ta	PL	1 x 18	21	11 1/8	M270-50WT2	20	1346 lbs.
5	1		tb	PL	1 1/8 x 18	12	0	M270-50WT2	15	1011 lbs.
6	1		tc	PL	1 x 18	55	0	M270-50WT2	17	3369 lbs.
7	1		td	PL	1 x 18	31	6 1/2	M270-50WT2	18	1932 lbs.
8	1		ba	PL	1 x 18	21	11 1/8	M270-50WT2	20	1347 lbs.
9	1		bb	PL	1 1/4 x 18	12	0	M270-50WT2	15	919 lbs.
10	1		bc	PL	1 x 18	55	0	M270-50WT2	17	3369 lbs.
11	1		bd	PL	1 x 18	31	6	M270-50WT2	18	1929 lbs.
12										
13	4		x2a	PL	3/4 x 8 1/2	3	0	M270-50W	10	G1E 280 lbs.
14	7		x2b	PL	1/2 x 7	3	0	M270-50W	11	250 lbs.
15	7		x2c	PL	1/2 x 7	3	0	M270-50W	11	250 lbs.
16	6		x2m	L	4 x 4 x 3/8	0	8	M270-50W	15	39 lbs.
17										
18	12				7/8 HSB	0	2 1/4	M164 TYPE 3	2	
19	12				7/8 WASHER			M293-3	6	
20										
21										
22										
23										
24										
25										

**T.Y. LIN INTERNATIONAL**

THE STAMPED DOCUMENTS ARE HEREBY:

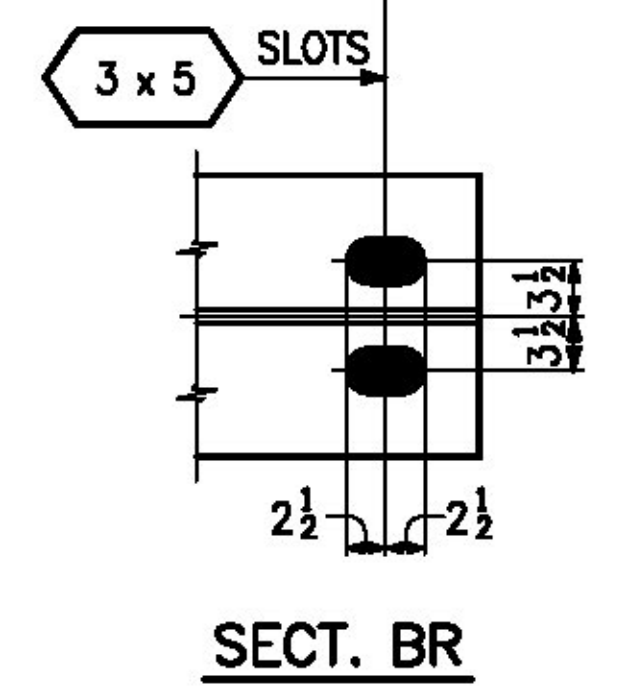
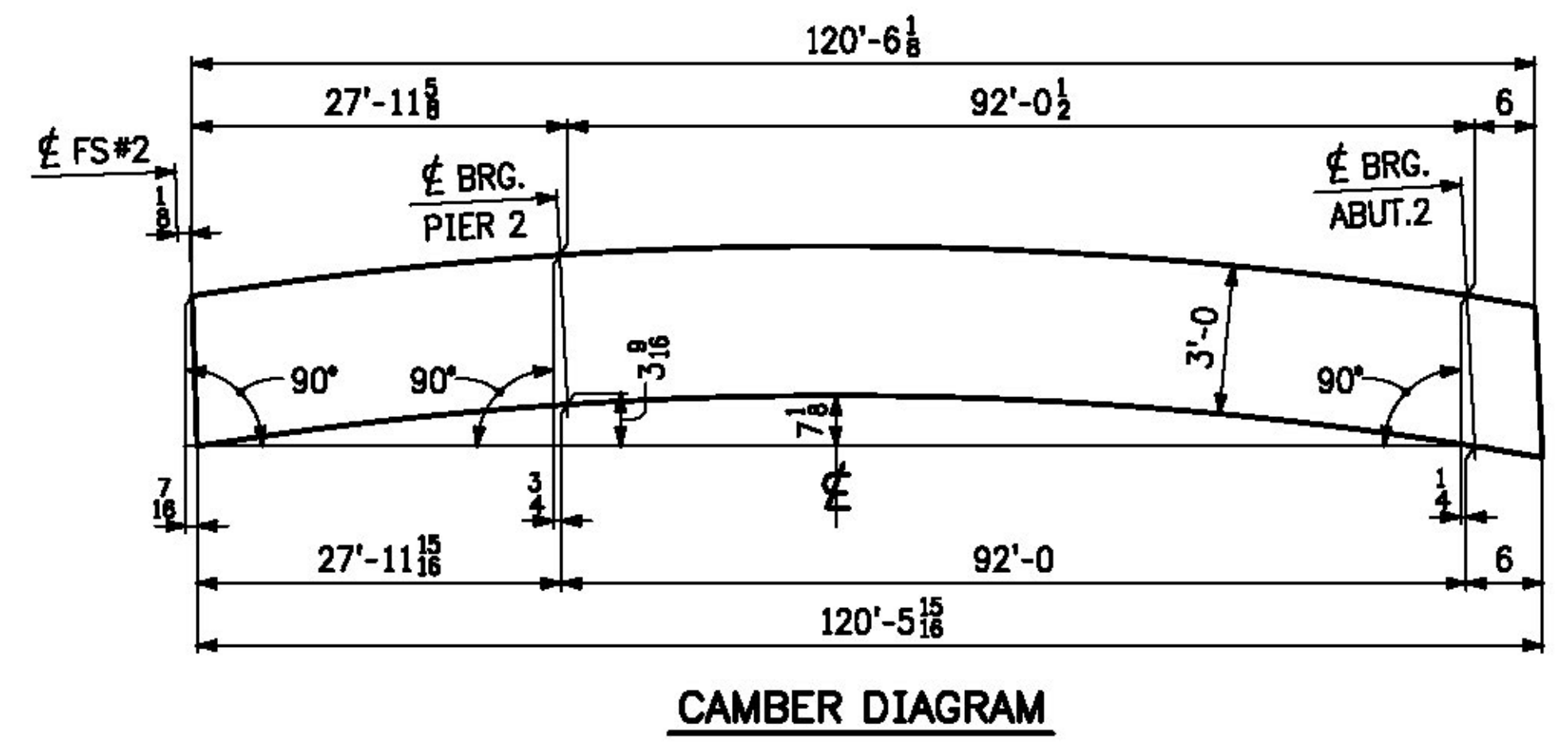
APPROVED  
 APPROVED AS NOTED  
 REVISE AND RESUBMIT

SEE TRANSMITTAL FOR ADDITIONAL INFORMATION AS APPLICABLE.

THIS REVIEW IS FOR GENERAL CONFORMANCE WITH DESIGN CONCEPT ONLY. ANY DEVIATION FROM THE PLANS OR SPECIFICATIONS NOT CLEARLY NOTED BY THE CONTRACTOR HAS NOT BEEN REVIEWED. REVIEW BY THE ENGINEER SHALL NOT RELIEVE THE CONTRACTOR OF THE CONTRACTUAL RESPONSIBILITY FOR ANY ERRORS OR DEVIATION FROM THE CONTRACT REQUIREMENTS.

RICK HEBERT REVIEWER 2/2/2015 DATE

NO.	DATE	REMARKS	BY
REVISIONS			
		<b>CASCO BAY STEEL STRUCTURES</b> ONE WALLACE AVENUE SOUTH PORTLAND, ME 04106 PHONE: 207-780-8722 FAX: 207-780-8726	
STRUCTURE	BENMONT AVE. (TH-7) (URBAN MINOR ARTERIAL)		
LOCATION	TOWN OF BENNINGTON, VERMONT		
PROJECT NO.	BRIDGE NO. 57 PROJECT NO. BRF 1000(16)		
ENGINEER	STATE OF VERMONT AGENCY OF TRANSPORTATION		
CUSTOMER	ALPINE CONSTRUCTION		
ITEM	GIRDER ~ 12G2C		
SURFACE PREP.	SSPC-SP10	OPEN HOLES	1 1/8" (UN)
PAINT	NONE		
APPROVAL	DRAWN GDC	12-8-14	SHEET NO. 12B
SHOP	CHECKED FM	1-6-15	JOB NO. 605



Sheet 12B - Picked 01/06/2015 @ 08:38 (HEBERT)