

T.Y. LIN INTERNATIONAL

THE STAMPED DOCUMENTS ARE HEREBY:

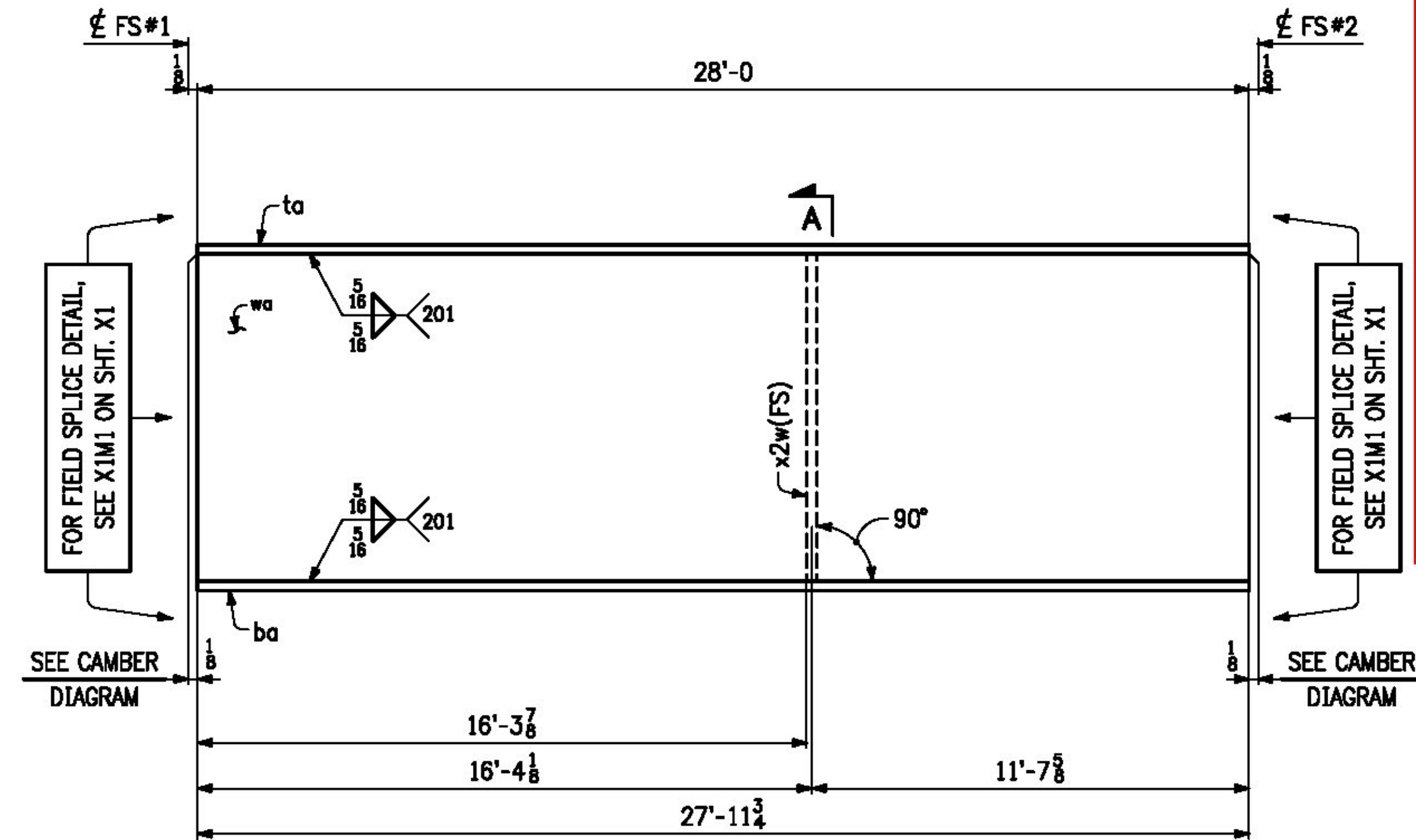
- APPROVED
- APPROVED AS NOTED
- REVISE AND RESUBMIT

SEE TRANSMITTAL FOR ADDITIONAL INFORMATION AS APPLICABLE.

THIS REVIEW IS FOR GENERAL CONFORMANCE WITH DESIGN CONCEPT ONLY. ANY DEVIATION FROM THE PLANS OR SPECIFICATIONS NOT CLEARLY NOTED BY THE CONTRACTOR HAS NOT BEEN REVIEWED. REVIEW BY THE ENGINEER SHALL NOT RELIEVE THE CONTRACTOR OF THE CONTRACTUAL RESPONSIBILITY FOR ANY ERRORS OR DEVIATION FROM THE CONTRACT REQUIREMENTS.

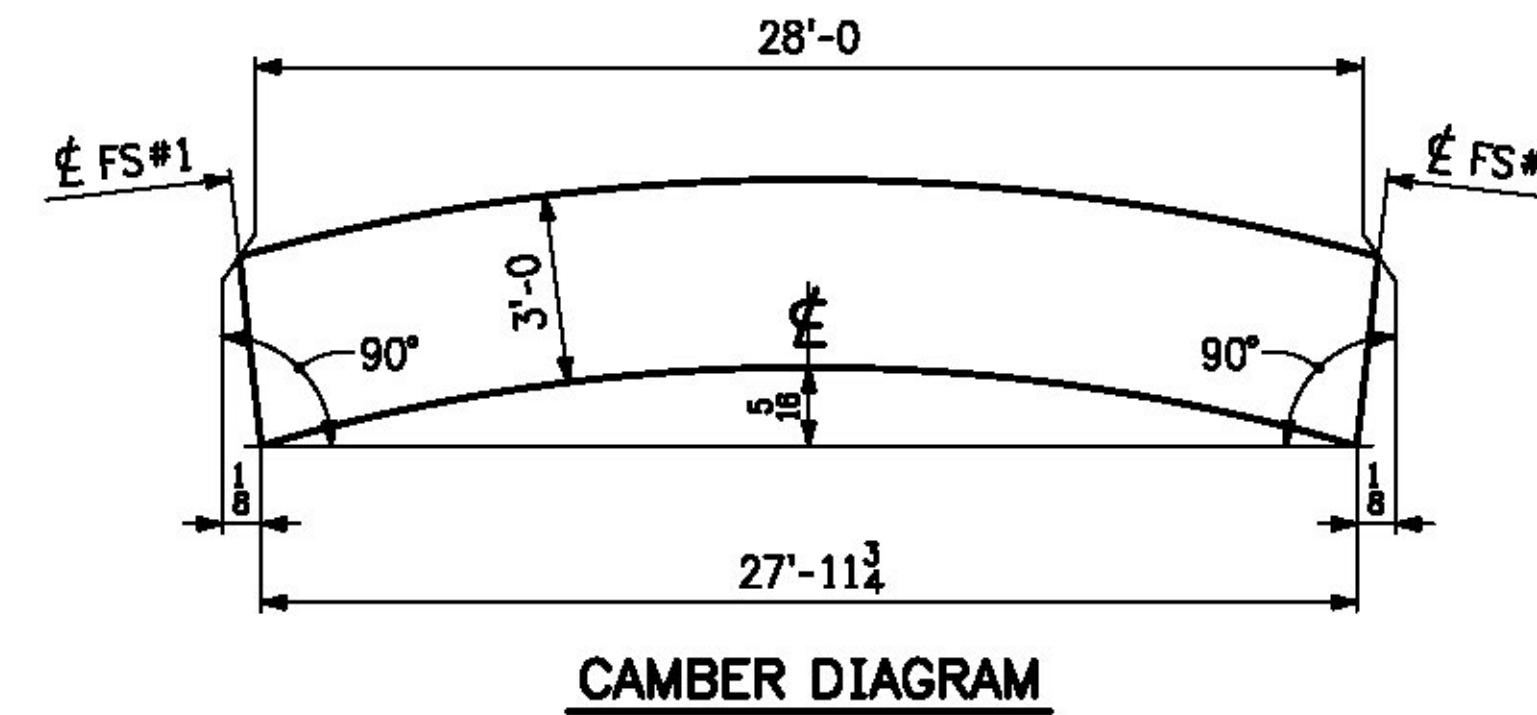
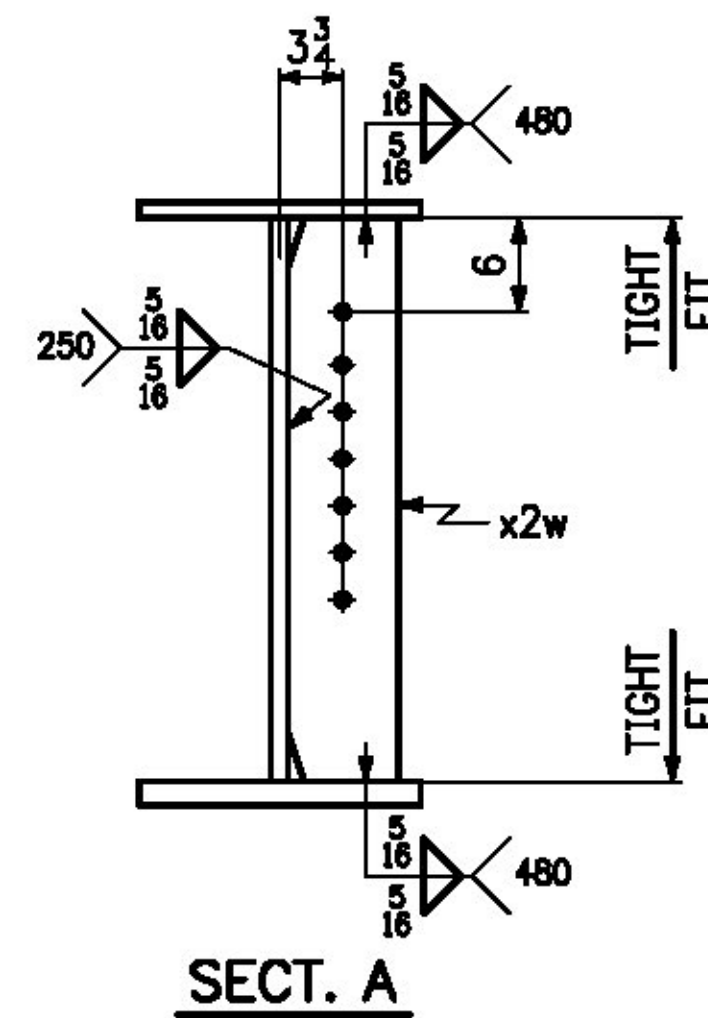
RICK HEBERT
REVIEWER

2/2/2015
DATE



ONE ~ GIRDER ~ 10G5B

- FOR GIRDER STANDARD DETAILS, SEE SHT. X2.
- FOR WEB CUTTING DIAGRAM, SEE SHT. C3.
- FOR FLANGE CUTTING DIAGRAMS, SEE SHT. C3.
- FOR GENERAL NOTES, SEE SHT. GN1.



LINE	NO. OF PCS.	SHIP MARK	ASS'Y MARK	MATERIAL					REMARKS	
				SHAPE	SECTION	LENGTH FT.	IN.	MATERIAL SPEC.		ITEM NO.
1	1	10G5B		GIRDER					5170 lbs.	
2	1		wa	PL	1/2 x 36	28	0	M270-50WT2	1/19	1715 lbs.
3	1		ta	PL	1 x 18	28	0	M270-50WT2	2/11	1715 lbs.
4	1		ba	PL	1 x 18	27	11 3/4	M270-50WT2	2/11	1714 lbs.
5										
6	1		x2w	PL	1/2 x 5	3	0	M270-50W	3/12	26 lbs.
7										
8										
9										
10										
11										
12										
13										
14										
15										
16										
17										
18										
19										
20										
21										
22										
23										
24										
25										

NO.	DATE	REVISIONS	BY
REVISIONS			
		CASCO BAY STEEL STRUCTURES ONE WALLACE AVENUE PHONE: 207-780-6722 SOUTH PORTLAND, ME 04106 FAX: 207-780-6726	
STRUCTURE		BENMONT AVE. (TH-7) (URBAN MINOR ARTERIAL)	
LOCATION		TOWN OF BENNINGTON, VERMONT	
PROJECT NO.		BRIDGE NO. 57 PROJECT NO. BRF 1000(16)	
ENGINEER		STATE OF VERMONT AGENCY OF TRANSPORTATION	
CUSTOMER		ALPINE CONSTRUCTION	
ITEM		GIRDER ~ 10G5B	
SURFACE PREP.		SSPC-SP10 OPEN HOLES 1 1/8"	
PAINT		NONE	
APPROVAL	DRAWN	GDC	12-10-14
SHOP	CHECKED	FM	1-5-15
SHEET NO.		JOB NO.	
10		605	