

# T.Y. LIN INTERNATIONAL

THE STAMPED DOCUMENTS ARE HEREBY:

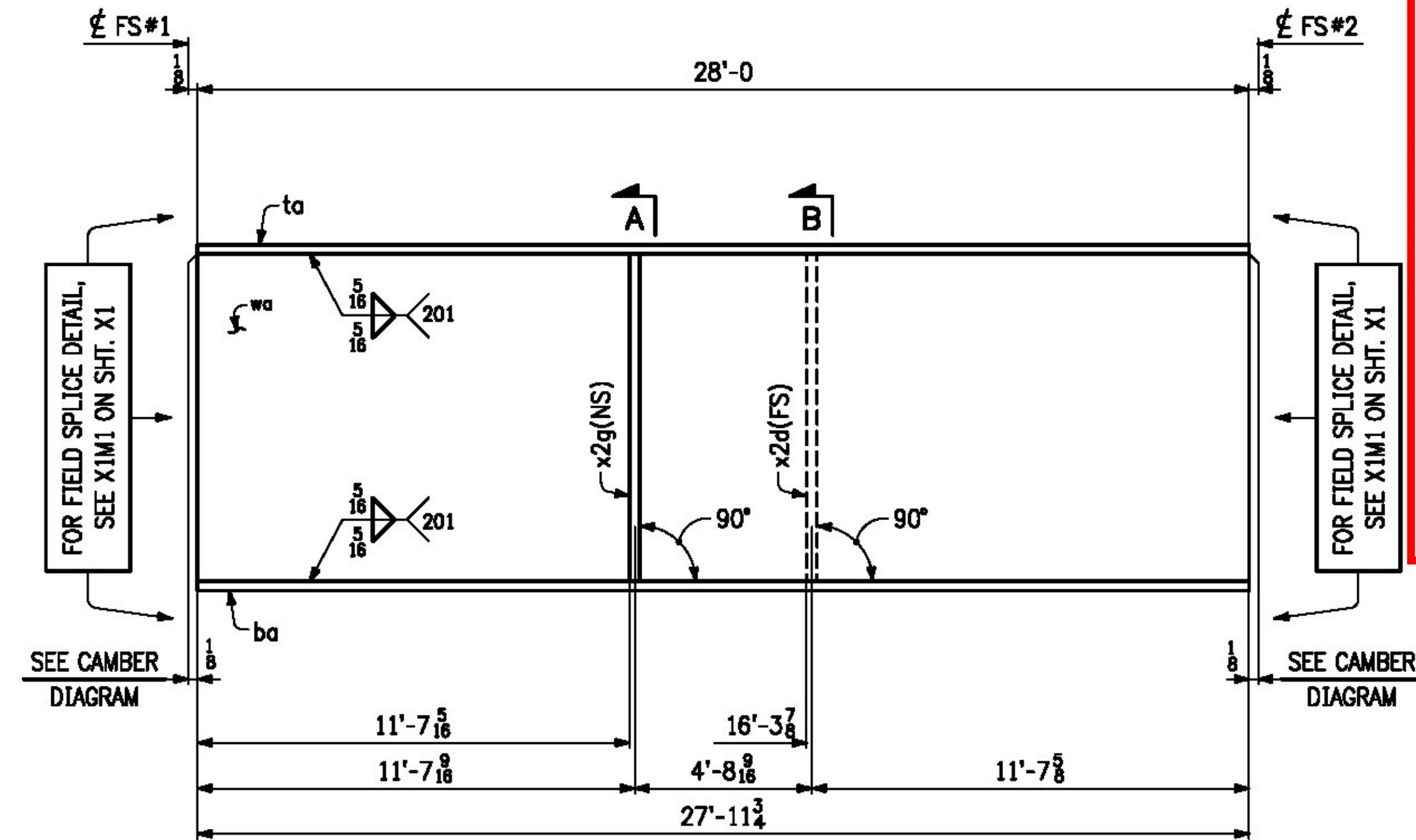
- X — APPROVED
- — — APPROVED AS NOTED
- — — REVISE AND RESUBMIT

SEE TRANSMITTAL FOR ADDITIONAL INFORMATION AS APPLICABLE.

THIS REVIEW IS FOR GENERAL CONFORMANCE WITH DESIGN CONCEPT ONLY. ANY DEVIATION FROM THE PLANS OR SPECIFICATIONS NOT CLEARLY NOTED BY THE CONTRACTOR HAS NOT BEEN REVIEWED. REVIEW BY THE ENGINEER SHALL NOT RELIEVE THE CONTRACTOR OF THE CONTRACTUAL RESPONSIBILITY FOR ANY ERRORS OR DEVIATION FROM THE CONTRACT REQUIREMENTS.

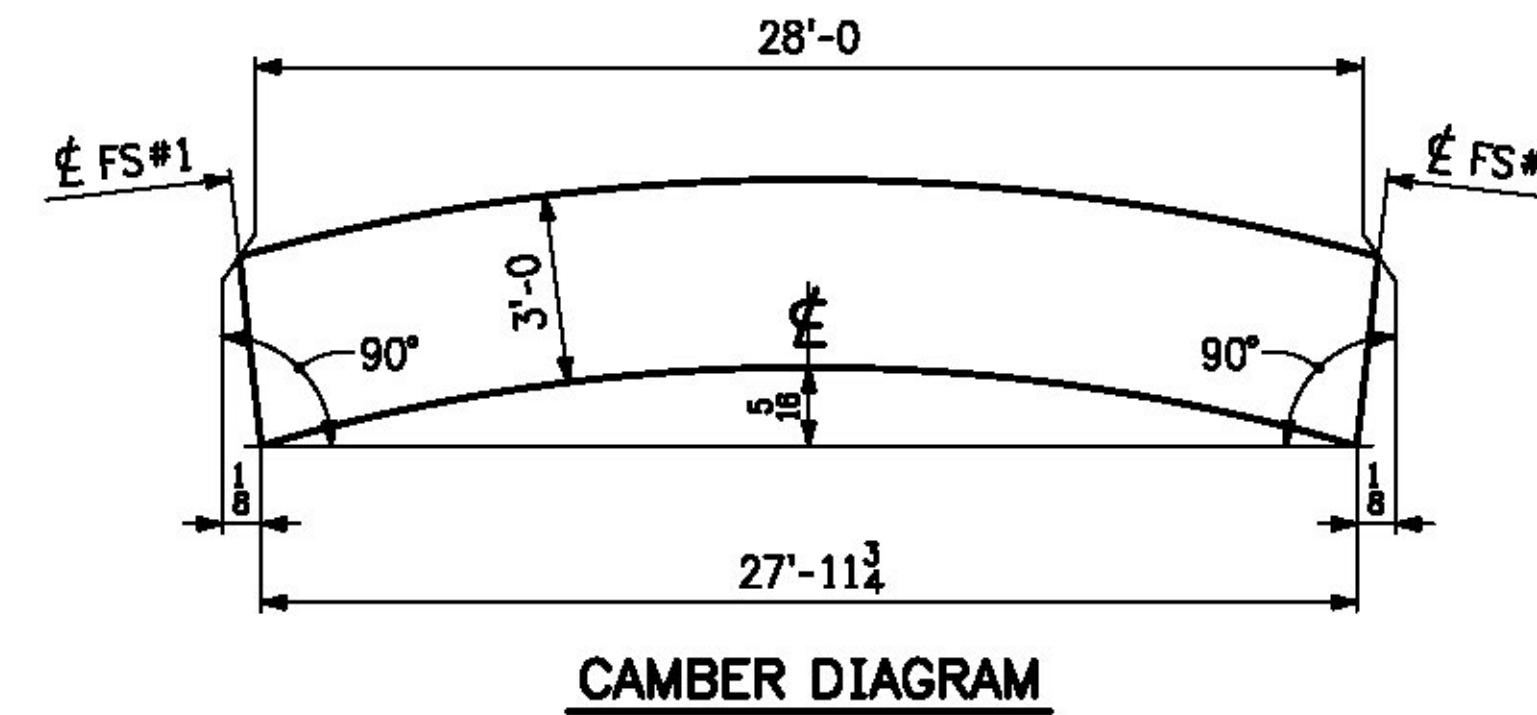
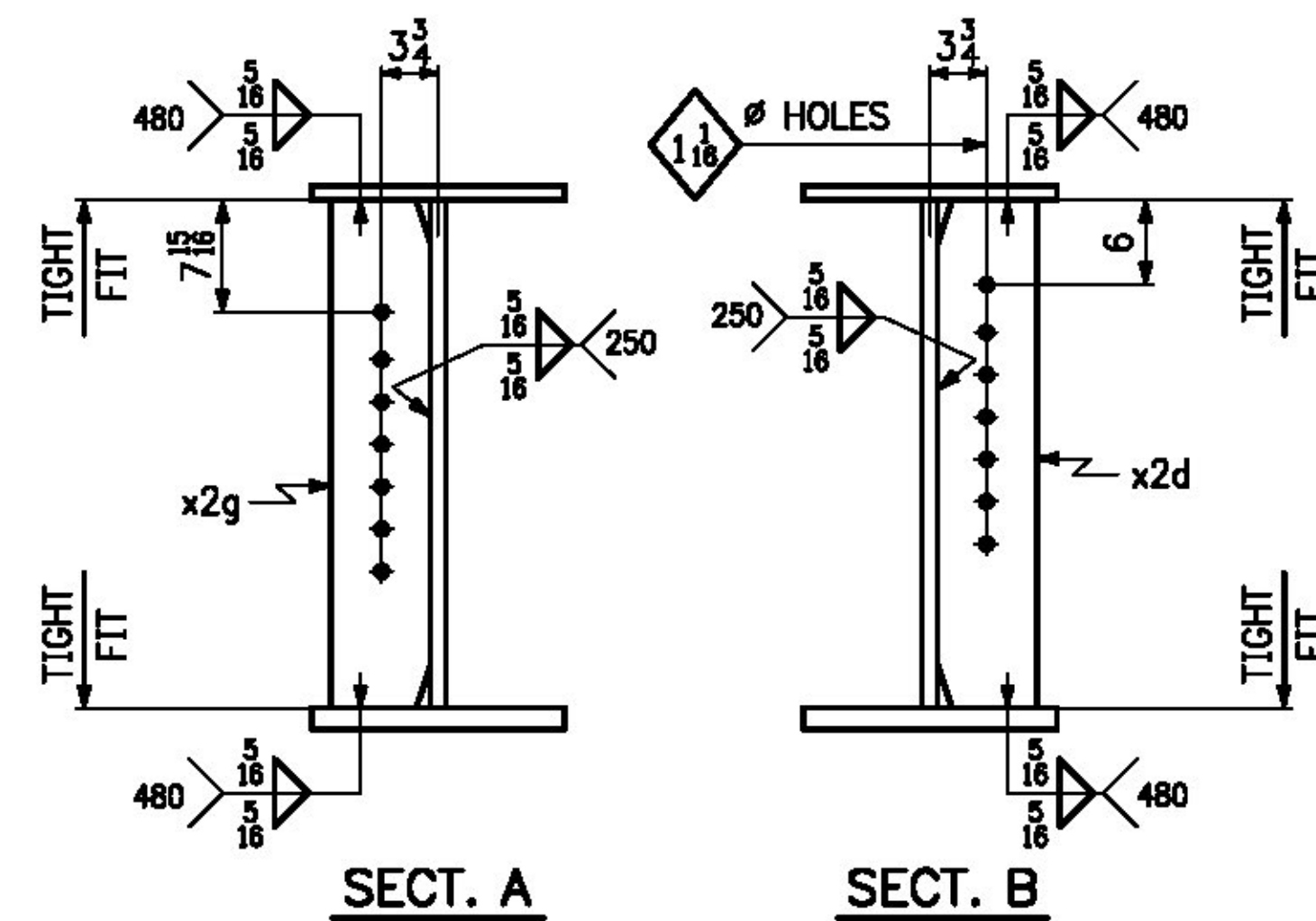
RICK HEBERT  
REVIEWER

2/2/2015  
DATE



### ONE ~ GIRDER ~ 9G4B

- FOR GIRDER STANDARD DETAILS, SEE SHT. X2.
- FOR WEB CUTTING DIAGRAM, SEE SHT. C3.
- FOR FLANGE CUTTING DIAGRAMS, SEE SHT. C3.
- FOR GENERAL NOTES, SEE SHT. GN1.



LINE	NO. OF PCS.	SHIP MARK	ASS'Y MARK	MATERIAL					REMARKS	
				SHAPE	SECTION	LENGTH FT.	IN.	MATERIAL SPEC.		ITEM NO.
1	1	9G4B		GIRDER					5196 lbs.	
2	1		wa	PL	1/2 x 36	28	0	M270-50WT2	1/19	1715 lbs.
3	1		ta	PL	1 x 18	28	0	M270-50WT2	2/11	1715 lbs.
4	1		ba	PL	1 x 18	27	11 3/4	M270-50WT2	2/11	1714 lbs.
5										
6	1		x2d	PL	1/2 x 5	3	0	M270-50W	3/12	26 lbs.
7	1		x2g	PL	1/2 x 5	3	0	M270-50W	3/12	26 lbs.
8										
9										
10										
11										
12										
13										
14										
15										
16										
17										
18										
19										
20										
21										
22										
23										
24										
25										

NO.	DATE	REVISIONS	BY
REVISIONS			
		<b>CASCO BAY STEEL STRUCTURES</b> ONE WALLACE AVENUE      PHONE: 207-780-6722 SOUTH PORTLAND, ME 04106      FAX: 207-780-6726	
STRUCTURE <u>BENMONT AVE. (TH-7) (URBAN MINOR ARTERIAL)</u>			
LOCATION <u>TOWN OF BENNINGTON, VERMONT</u>			
PROJECT NO. <u>BRIDGE NO. 57 PROJECT NO. BRF 1000(16)</u>			
ENGINEER <u>STATE OF VERMONT AGENCY OF TRANSPORTATION</u>			
CUSTOMER <u>ALPINE CONSTRUCTION</u>			
ITEM <u>GIRDER ~ 9G4B</u>			
SURFACE PREP. <u>SSPC-SP10</u> OPEN HOLES <u>1 1/8"</u>			
PAINT <u>NONE</u>			
APPROVAL	DRAWN <u>GDC</u>	12-10-14	SHEET NO. <u>9</u>
SHOP	CHECKED <u>FM</u>	1-5-15	JOB NO. <u>605</u>