

# T.Y. LIN INTERNATIONAL

THE STAMPED DOCUMENTS ARE HEREBY:

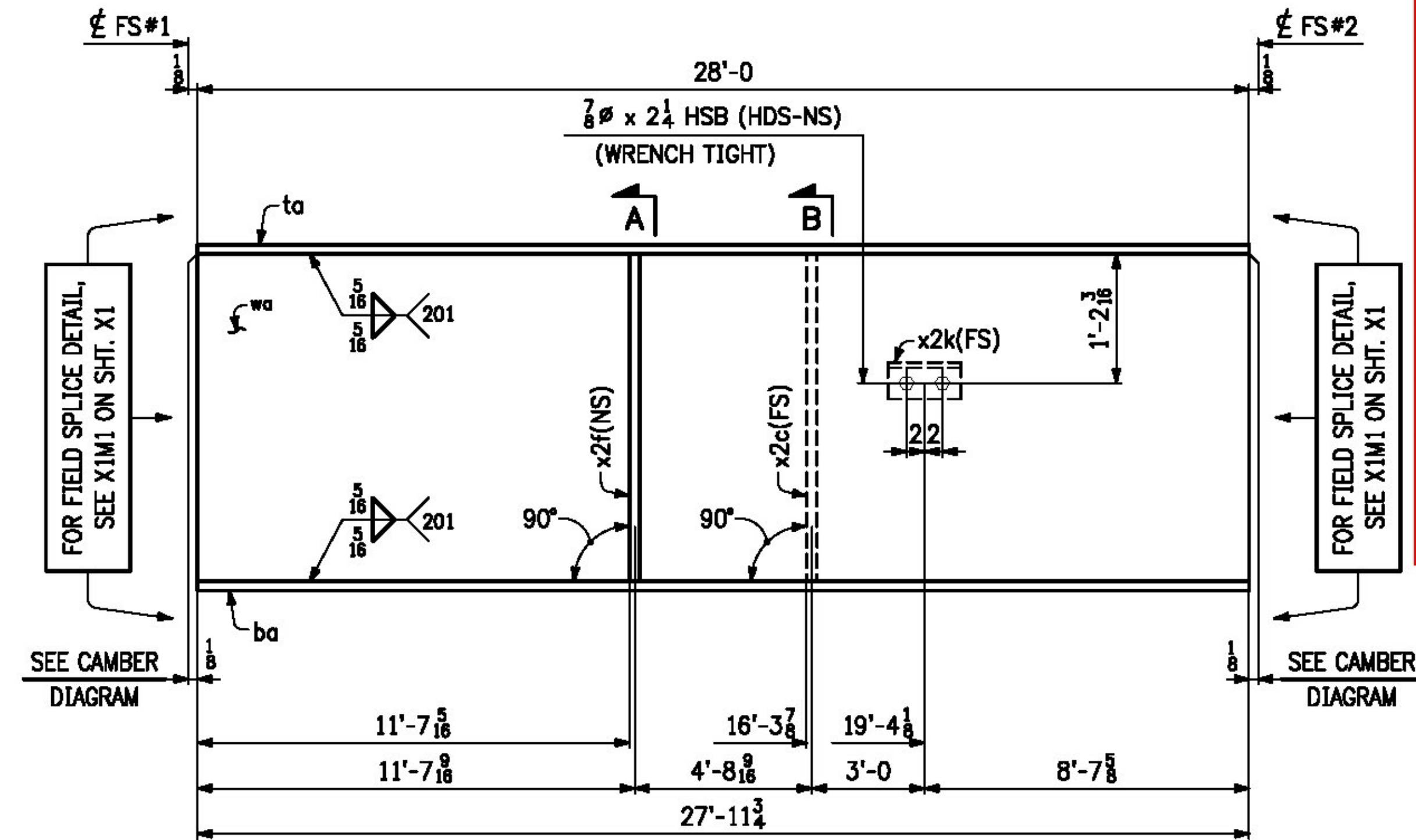
- APPROVED
- APPROVED AS NOTED
- REVISE AND RESUBMIT

SEE TRANSMITTAL FOR ADDITIONAL INFORMATION AS APPLICABLE.

THIS REVIEW IS FOR GENERAL CONFORMANCE WITH DESIGN CONCEPT ONLY. ANY DEVIATION FROM THE PLANS OR SPECIFICATIONS NOT CLEARLY NOTED BY THE CONTRACTOR HAS NOT BEEN REVIEWED. REVIEW BY THE ENGINEER SHALL NOT RELIEVE THE CONTRACTOR OF THE CONTRACTUAL RESPONSIBILITY FOR ANY ERRORS OR DEVIATION FROM THE CONTRACT REQUIREMENTS.

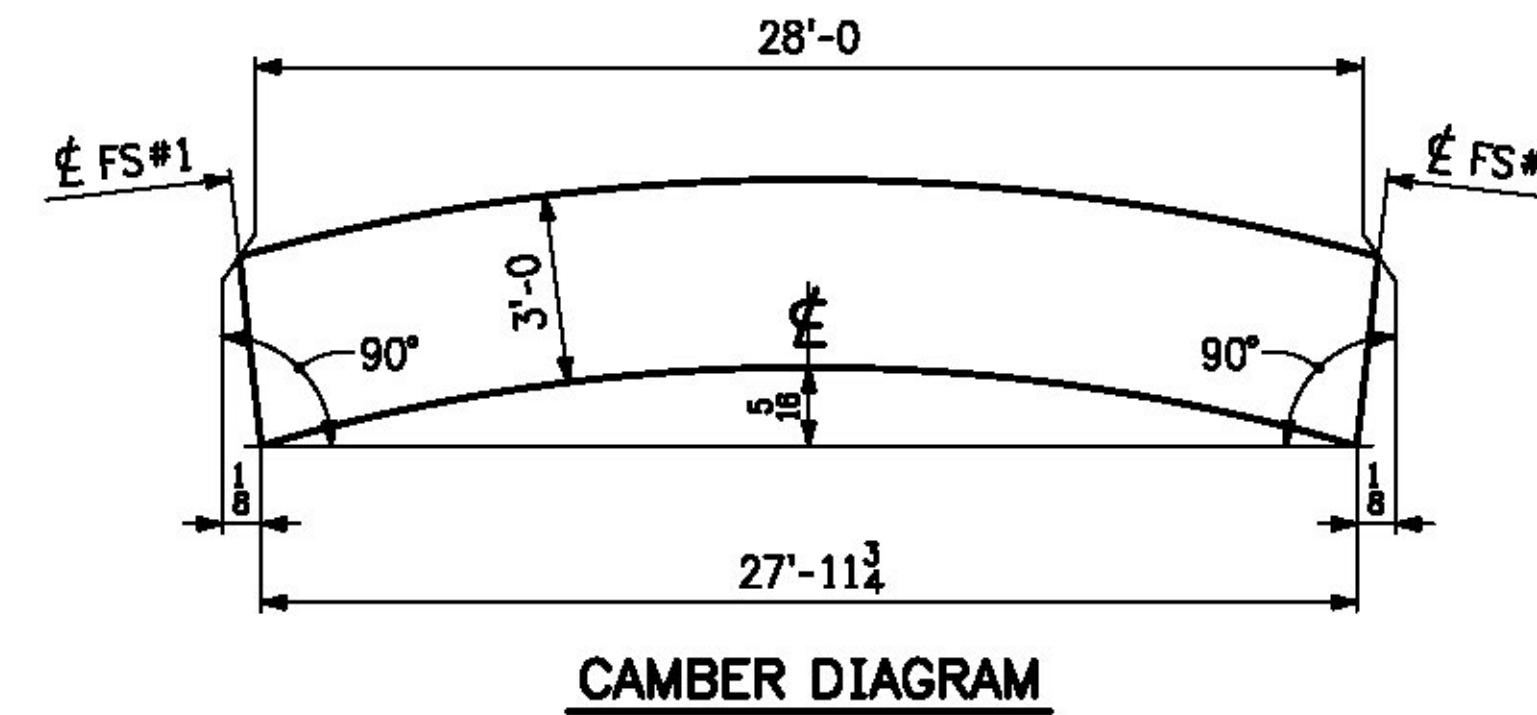
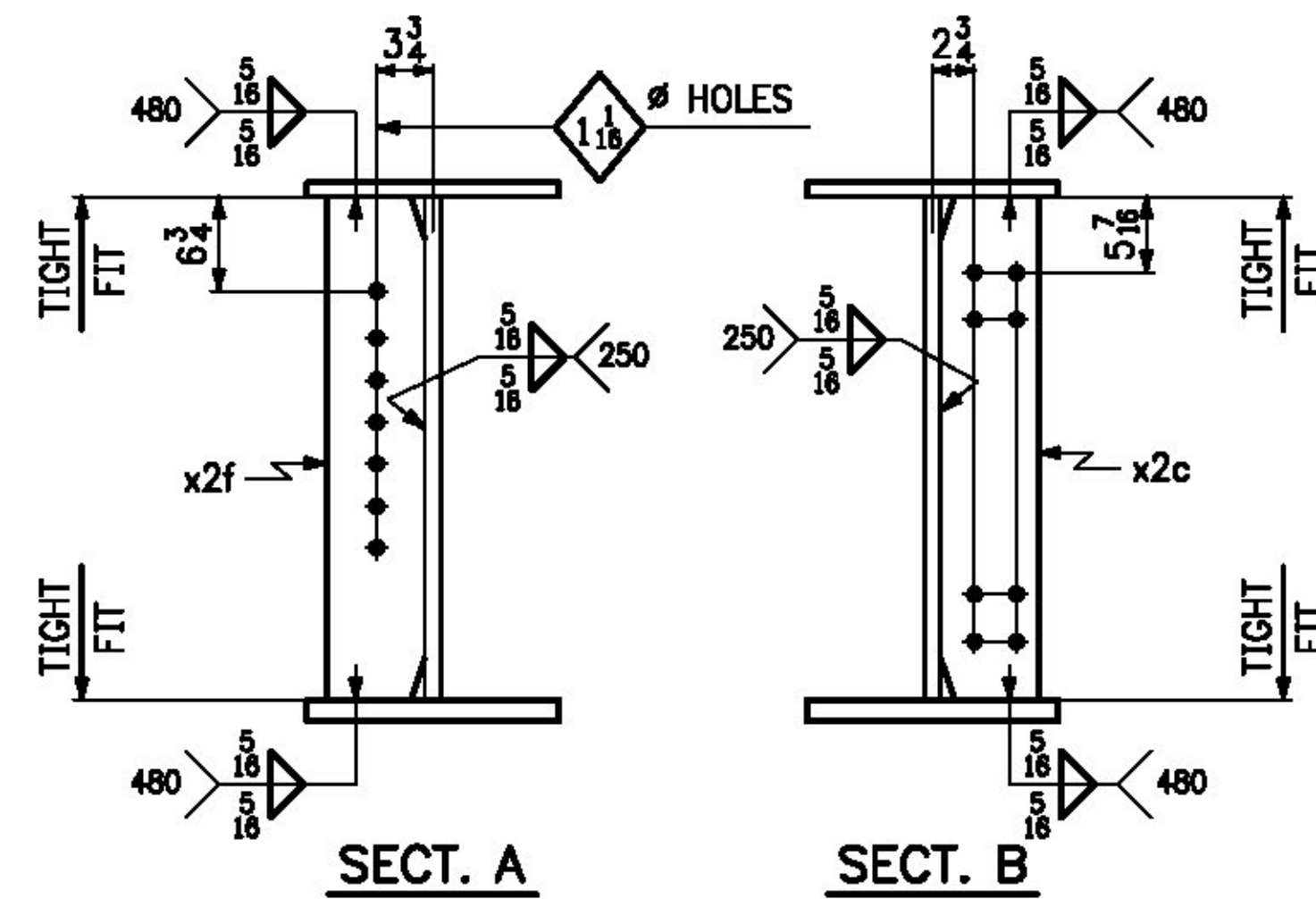
RICK HEBERT  
REVIEWER

2/2/2015  
DATE



### ONE ~ GIRDER ~ 8G3B

- FOR GIRDER STANDARD DETAILS, SEE SHT. X2.
- FOR WEB CUTTING DIAGRAM, SEE SHT. C3.
- FOR FLANGE CUTTING DIAGRAMS, SEE SHT. C3.
- FOR GENERAL NOTES, SEE SHT. GN1.



LINE	NO. OF PCS.	SHIP MARK	ASSY MARK	MATERIAL					REMARKS	
				SHAPE	SECTION	LENGTH FT.	LENGTH IN.	MATERIAL SPEC.		ITEM NO.
1	1	8G3B		GIRDER					5213 lbs.	
2	1		wa	PL	1/2 x 36	28	0	M270-50WT2	1/19	1715 lbs.
3	1		ta	PL	1 x 18	28	0	M270-50WT2	2/11	1715 lbs.
4	1		ba	PL	1 x 18	27	11 3/4	M270-50WT2	2/11	1714 lbs.
5										
6	1		x2c	PL	1/2 x 7	3	0	M270-50W	3/11	36 lbs.
7	1		x2f	PL	1/2 x 5	3	0	M270-50W	3/12	26 lbs.
8	1		x2k	L	4 x 4 x 3/8	0	8	M270-50W	3/13	7 lbs.
9										
10	2			3/8 HSB		0	2 1/4	M164 TYPE 3	6/2	
11	2			3/8 WASHER				M293-3	6/6	
12										
13										
14										
15										
16										
17										
18										
19										
20										
21										
22										
23										
24										
25										

NO.	DATE	REMARKS	BY
REVISIONS			
		<b>CASCO BAY STEEL STRUCTURES</b> ONE WALLACE AVENUE SOUTH PORTLAND, ME 04106 PHONE: 207-780-6722 FAX: 207-780-6726	
STRUCTURE	BENMONT AVE. (TH-7) (URBAN MINOR ARTERIAL)		
LOCATION	TOWN OF BENNINGTON, VERMONT		
PROJECT NO.	BRIDGE NO. 57 PROJECT NO. BRF 1000(16)		
ENGINEER	STATE OF VERMONT AGENCY OF TRANSPORTATION		
CUSTOMER	ALPINE CONSTRUCTION		
ITEM	GIRDER ~ 8G3B		
SURFACE PREP.	SSPC-SP10	OPEN HOLES	1 1/8" (UN)
PAINT	NONE		
APPROVAL	DRAWN GDC	12-10-14	SHEET NO. 8
SHOP	CHECKED FRI	1-5-15	JOB NO. 605