

T.Y. LIN INTERNATIONAL

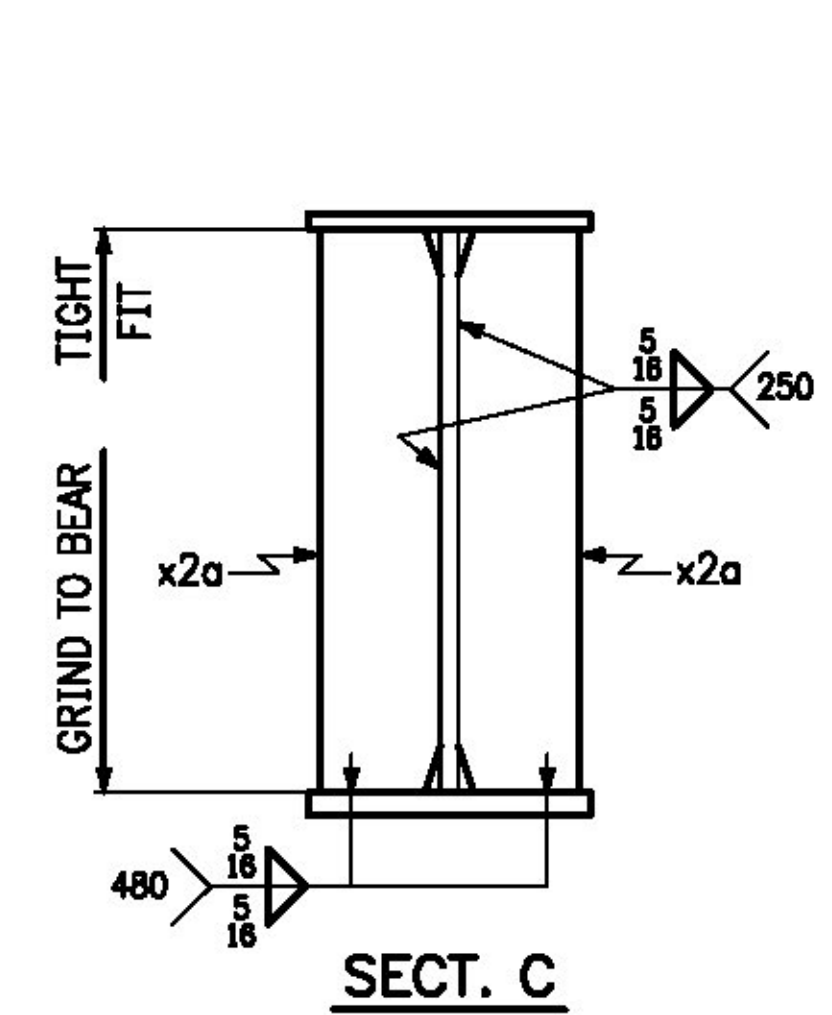
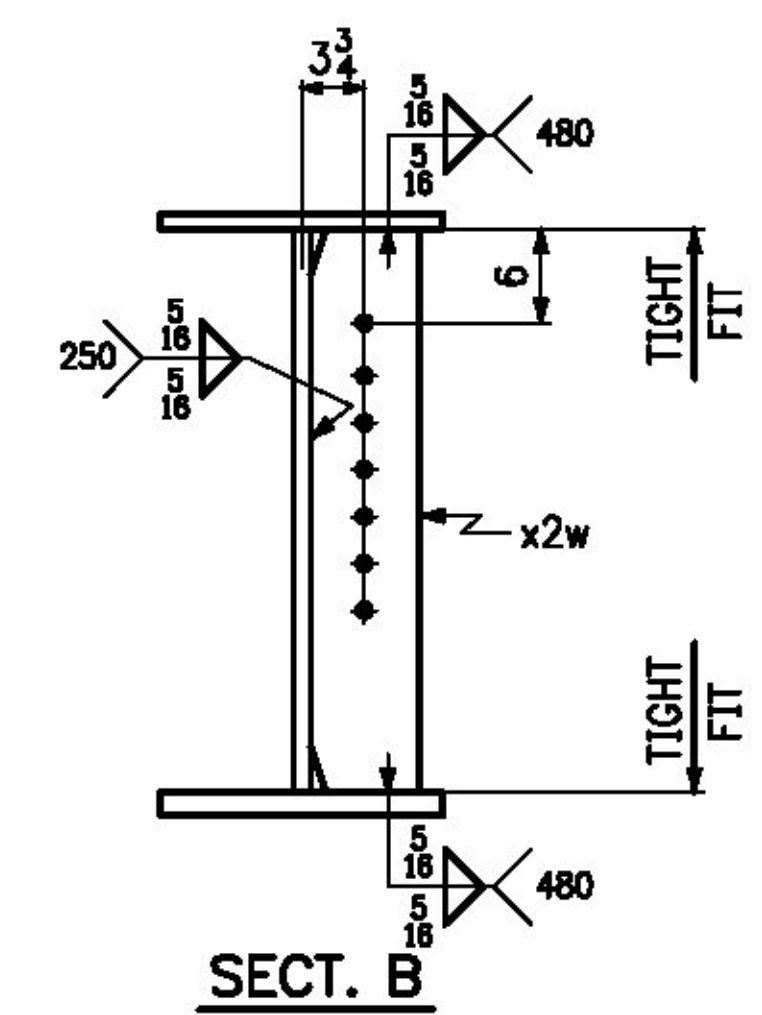
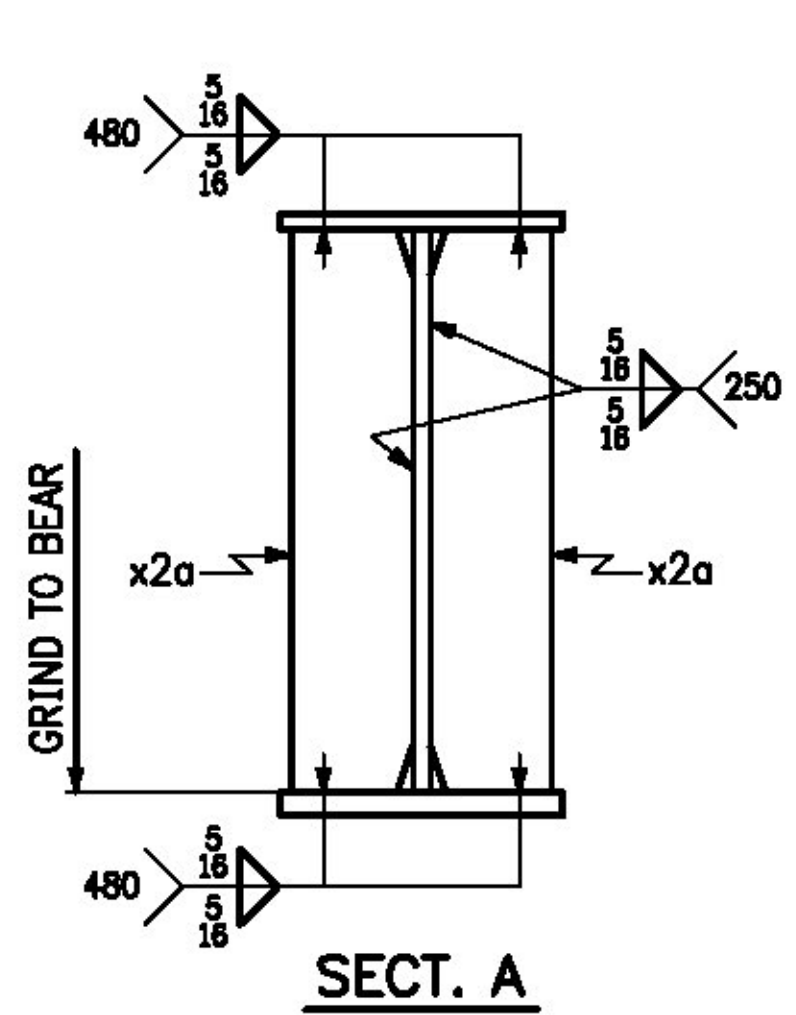
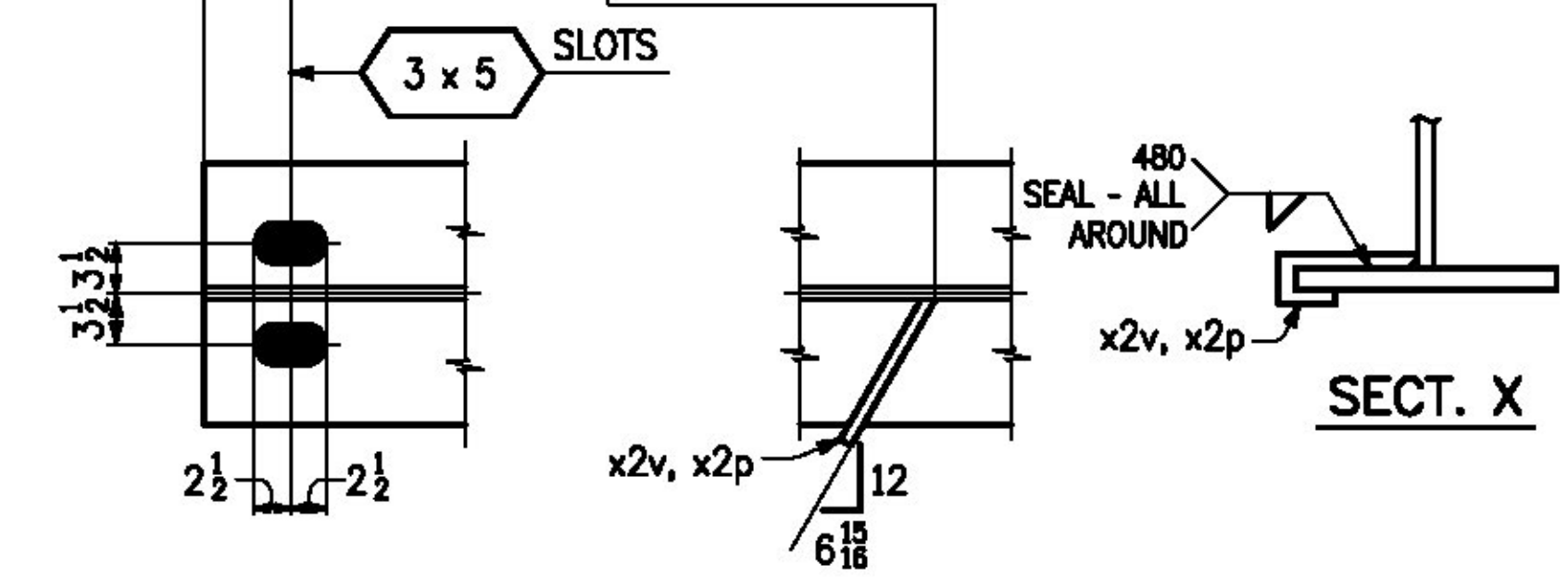
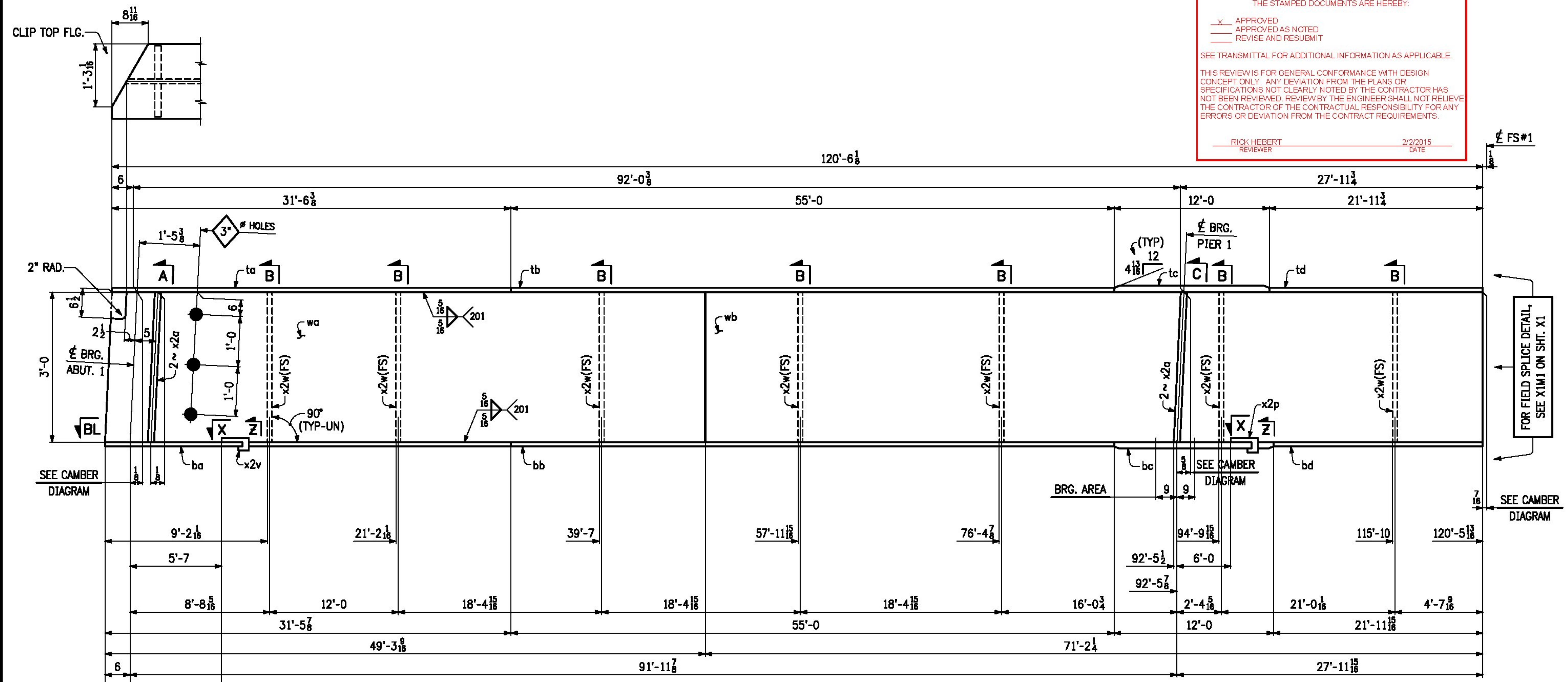
THE STAMPED DOCUMENTS ARE HEREBY:

_____ APPROVED
 _____ APPROVED AS NOTED
 _____ REVISE AND RESUBMIT

SEE TRANSMITTAL FOR ADDITIONAL INFORMATION AS APPLICABLE.

THIS REVIEW IS FOR GENERAL CONFORMANCE WITH DESIGN CONCEPT ONLY. ANY DEVIATION FROM THE PLANS OR SPECIFICATIONS NOT CLEARLY NOTED BY THE CONTRACTOR HAS NOT BEEN REVIEWED. REVIEW BY THE ENGINEER SHALL NOT RELIEVE THE CONTRACTOR OF THE CONTRACTUAL RESPONSIBILITY FOR ANY ERRORS OR DEVIATION FROM THE CONTRACT REQUIREMENTS.

_____ REVIEWER
 _____ DATE



- ONE ~ GIRDER ~ 5G5A**
- FOR GIRDER STANDARD DETAILS, SEE SHT. X2.
 - FOR WEB CUTTING DIAGRAM, SEE SHT. C2.
 - FOR FLANGE CUTTING DIAGRAMS, SEE SHT. C2.
 - FOR GENERAL NOTES, SEE SHT. GN1.
 - "BRG. AREA" INDICATES AREA THAT MUST BE FLAT TO PROVIDE A UNIFORM EVEN CONTACT WITH SOLE PLATE.

NO.	DATE	REMARKS	BY
REVISIONS			
		CASCO BAY STEEL STRUCTURES ONE WALLACE AVENUE SOUTH PORTLAND, ME 04106 PHONE: 207-780-6722 FAX: 207-780-6726	
STRUCTURE <u>BENMONT AVE. (TH-7) (URBAN MINOR ARTERIAL)</u>			
LOCATION <u>TOWN OF BENNINGTON, VERMONT</u>			
PROJECT NO. <u>BRIDGE NO. 57 PROJECT NO. BRJ 1000(16)</u>			
ENGINEER <u>STATE OF VERMONT AGENCY OF TRANSPORTATION</u>			
CUSTOMER <u>ALPINE CONSTRUCTION</u>			
ITEM <u>GIRDER ~ 5G5A</u>			
SURFACE PREP. <u>SSPC-SP10</u> OPEN HOLES <u>1/8" (UN)</u>			
PAINT <u>NONE</u>			
APPROVAL	DRAWN <u>GDC</u>	12-9-14	SHEET NO. <u>5AB</u>
SHOP	CHECKED <u>FM</u>	1-5-15	JOB NO. <u>605</u>

Sheet 05AB - Plate 01/04/2015 @ 09:37 (HEBERT)