

T.Y. LIN INTERNATIONAL

THE STAMPED DOCUMENTS ARE HEREBY:

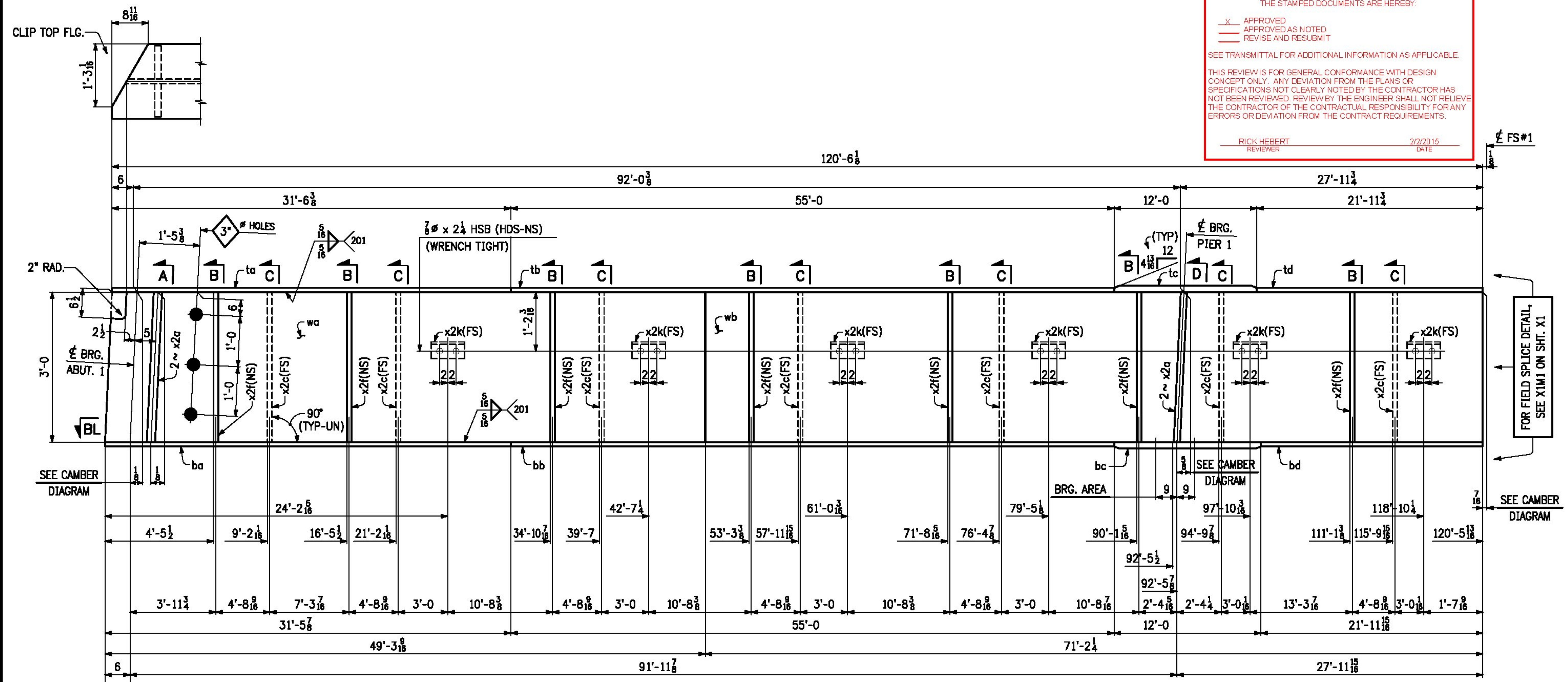
- X- APPROVED
- APPROVED AS NOTED
- REVISIONS

SEE TRANSMITTAL FOR ADDITIONAL INFORMATION AS APPLICABLE

THIS REVIEW IS FOR GENERAL CONFORMANCE WITH DESIGN CONCEPT ONLY. ANY DEVIATION FROM THE PLANS OR SPECIFICATIONS NOT CLEARLY NOTED BY THE CONTRACTOR HAS NOT BEEN REVIEWED. REVIEW BY THE ENGINEER SHALL NOT RELIEVE THE CONTRACTOR OF THE CONTRACTUAL RESPONSIBILITY FOR ANY ERRORS OR DEVIATION FROM THE CONTRACT REQUIREMENTS.

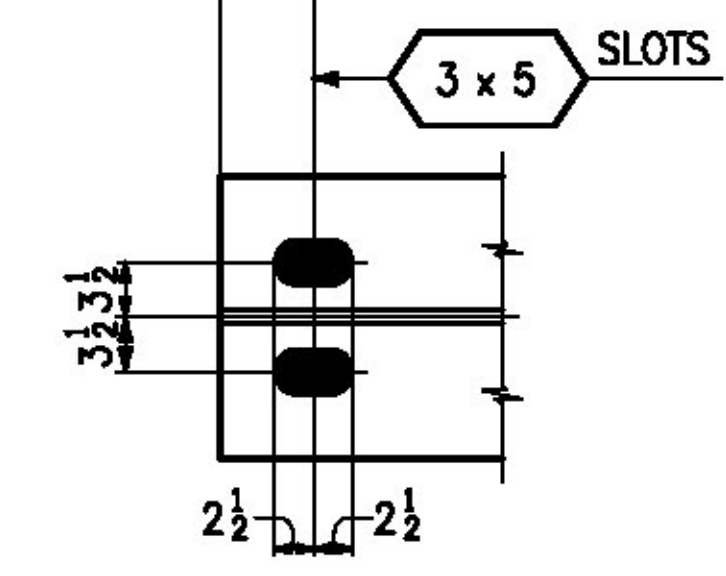
RICK HEBERT
REVIEWER

2/2/2015
DATE



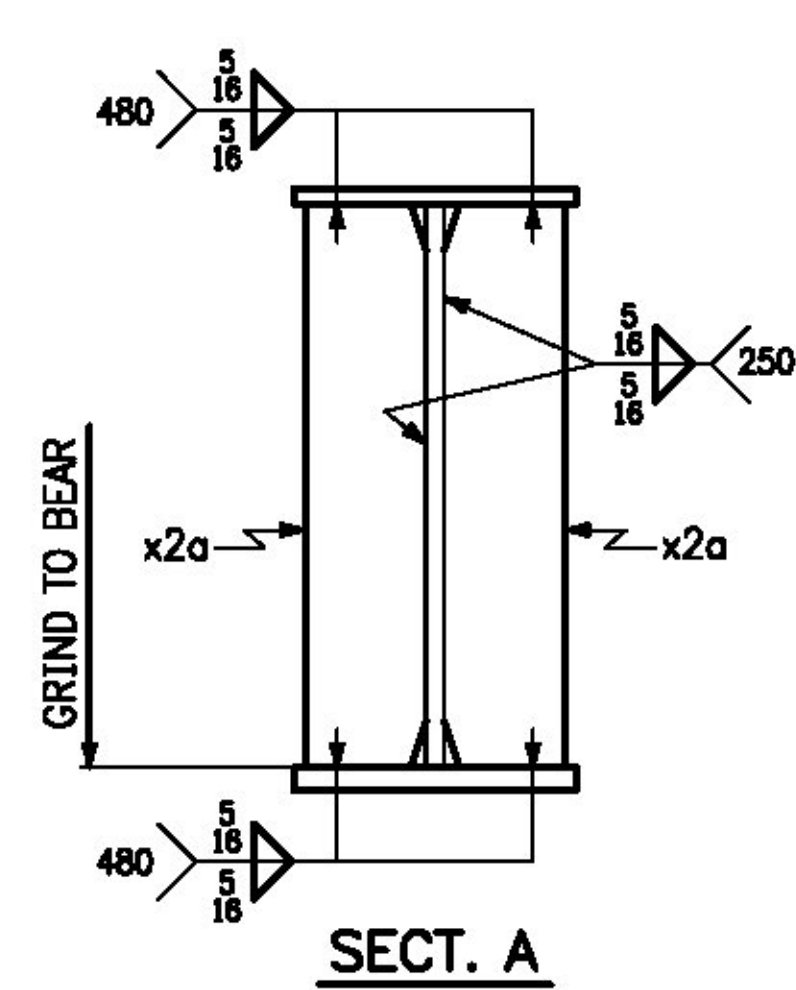
FOR FIELD SPLICE DETAIL, SEE X1M1 ON SHT. X1

SEE CAMBER DIAGRAM

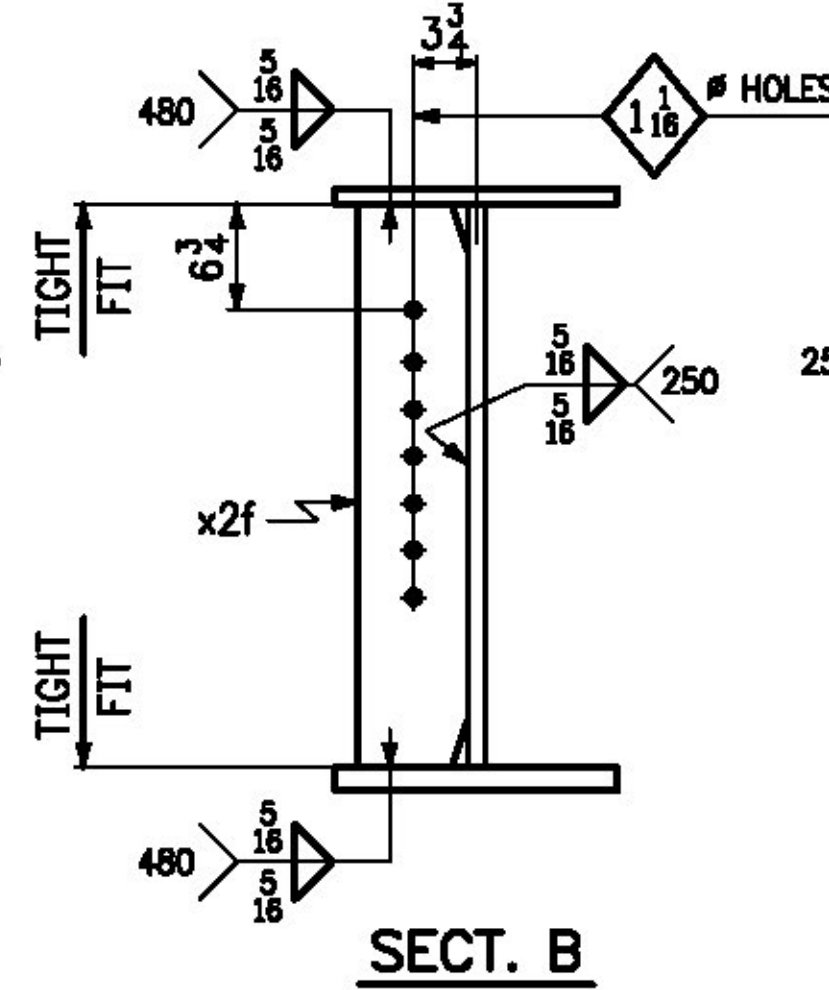


SECT. BL
ONE ~ GIRDER ~ 3G3A

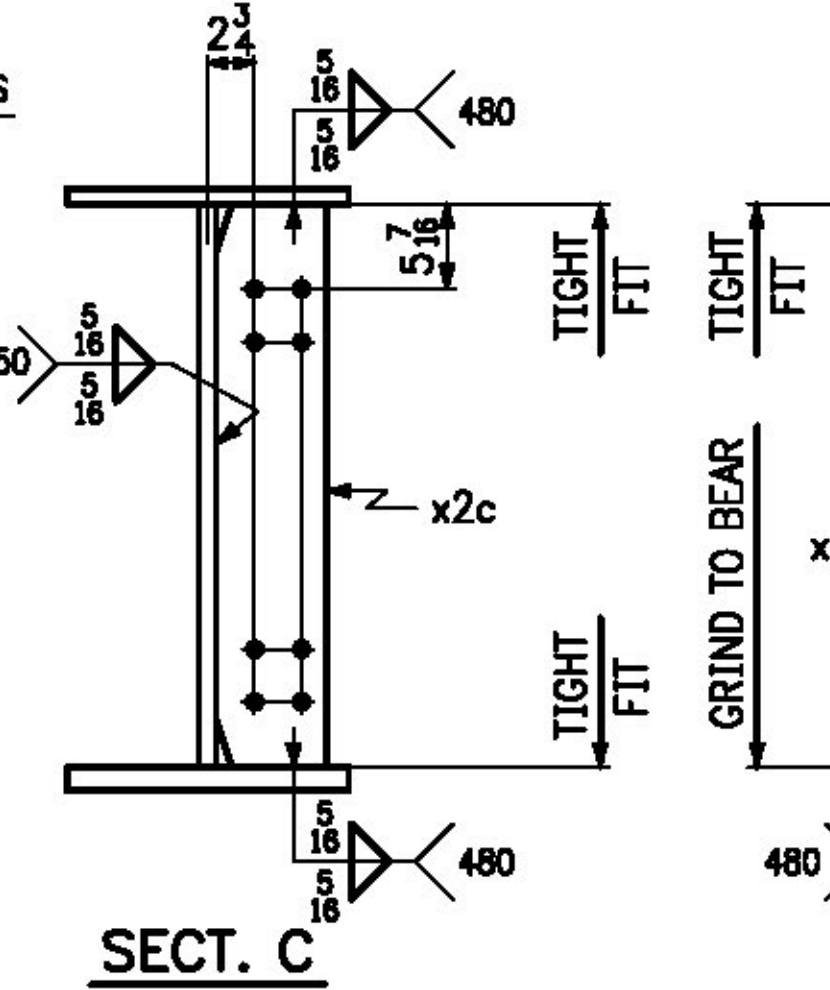
- FOR GIRDER STANDARD DETAILS, SEE SHT. X2.
- FOR WEB CUTTING DIAGRAM, SEE SHT. C2.
- FOR FLANGE CUTTING DIAGRAMS, SEE SHT. C2.
- FOR GENERAL NOTES, SEE SHT. GN1.
- "BRG. AREA" INDICATES AREA THAT MUST BE FLAT TO PROVIDE A UNIFORM EVEN CONTACT WITH SOLE PLATE.



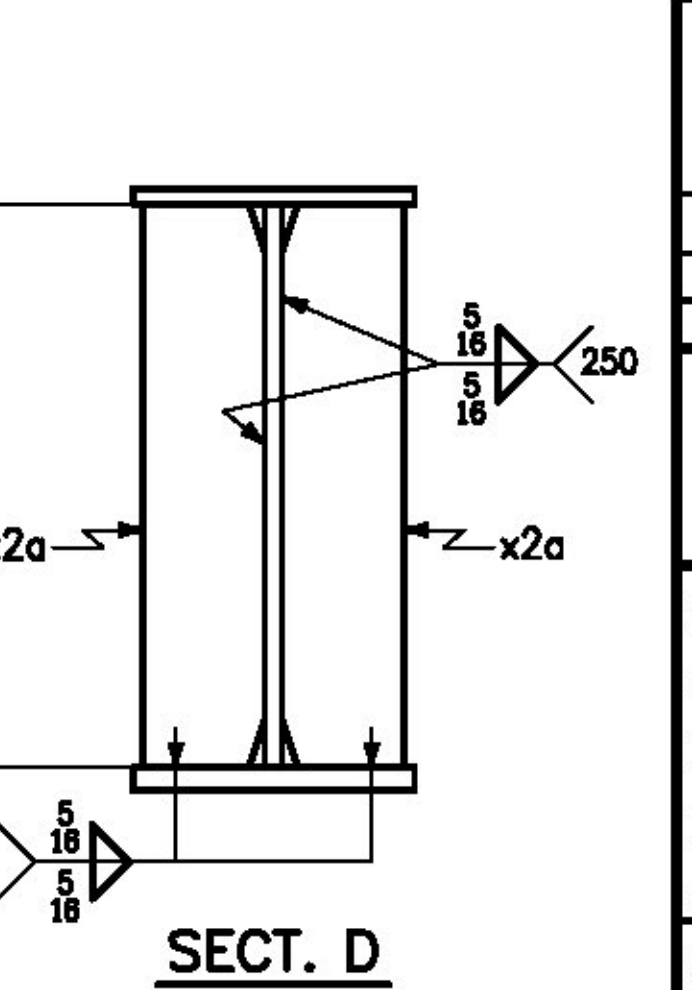
SECT. A



SECT. B



SECT. C



SECT. D

NO.	DATE	REMARKS	BY
REVISIONS			
CASCO BAY STEEL		CASCO BAY STEEL STRUCTURES	
ONE WALLACE AVENUE SOUTH PORTLAND, ME 04106		PHONE: 207-780-6722 FAX: 207-780-6726	
STRUCTURE <u>BENMONT AVE. (TH-7) (URBAN MINOR ARTERIAL)</u>			
LOCATION <u>TOWN OF BENNINGTON, VERMONT</u>			
PROJECT NO. <u>BRIDGE NO. 57 PROJECT NO. BRJ 1000(16)</u>			
ENGINEER <u>STATE OF VERMONT AGENCY OF TRANSPORTATION</u>			
CUSTOMER <u>ALPINE CONSTRUCTION</u>			
ITEM <u>GIRDER ~ 3G3A</u>			
SURFACE PREP. <u>SSPC-SP10</u>		OPEN HOLES <u>1/8" (UN)</u>	
PAINT <u>NONE</u>			
APPROVAL	DRAWN <u>GDC</u>	12-5-14	SHEET NO. <u>3AB</u>
SHOP	CHECKED <u>PH</u>	1-5-15	JOB NO. <u>605</u>