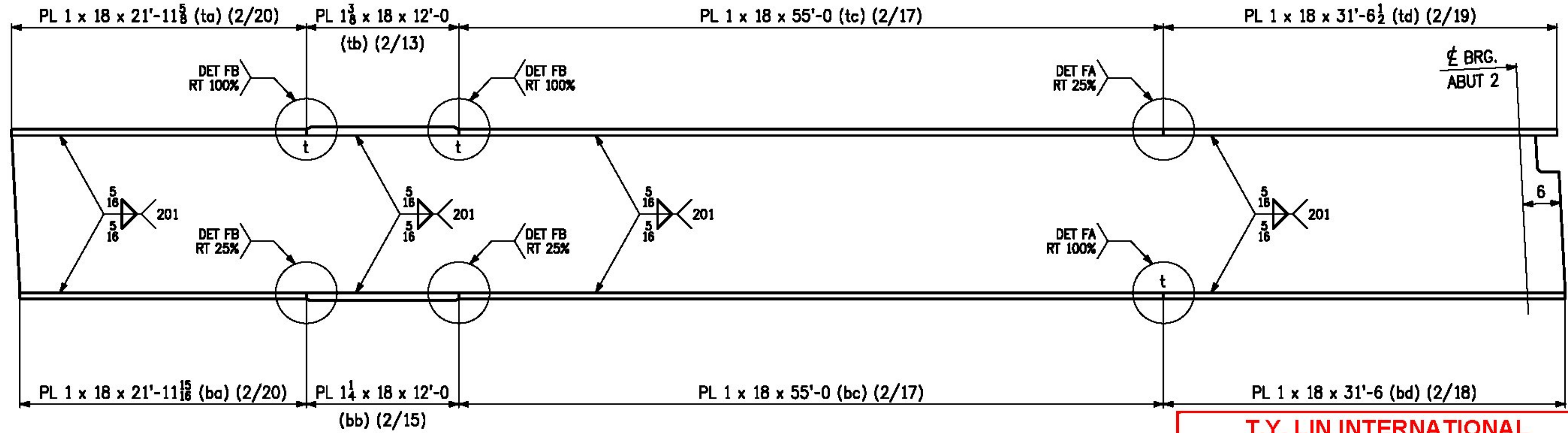


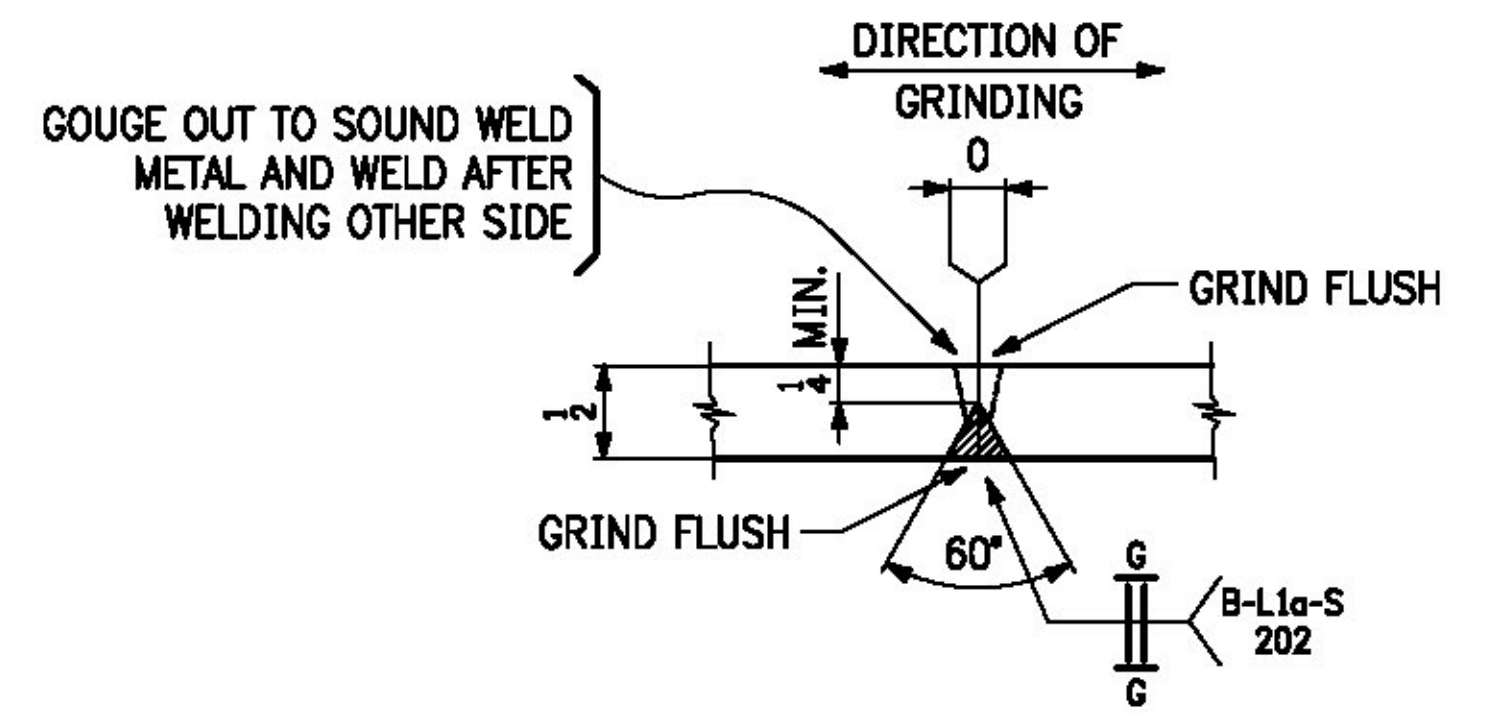
CAMBER DIAGRAM FOR 14G4C & 15G5C

- NOTES:**
1. MAT'L: M270-50WT2
 2. FOR GENERAL NOTES SEE SHT. GN1.
 3. "t" INDICATES WELDS SUBJECT TO TENSION.
 4. "RT" DENOTES RADIOGRAPHIC INSPECTION. DIMENSION SHOWN IS 1/6 THE WEB DEPTH PLUS 25% OF THE REMAINDER.

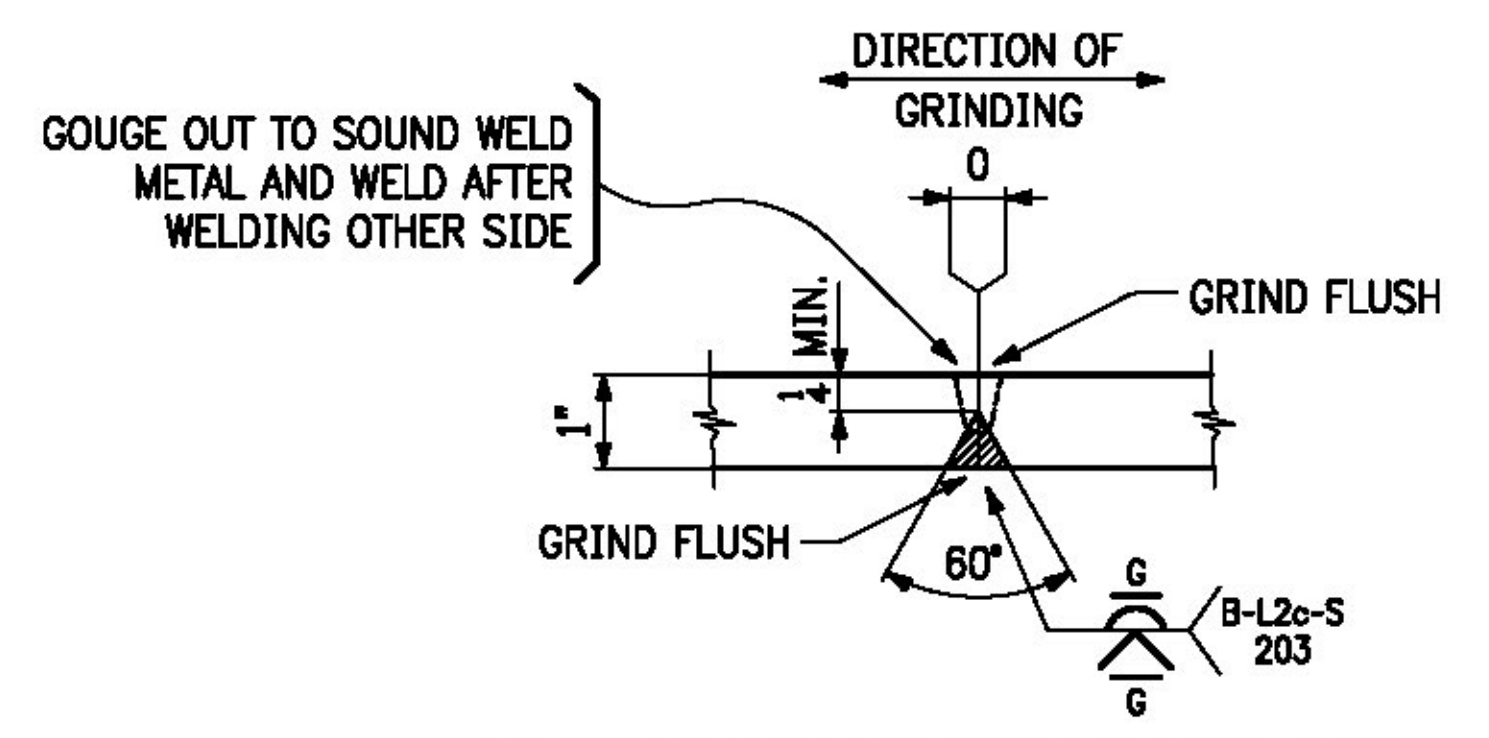


FLANGE DIAGRAM FOR 14G4C & 15G5C

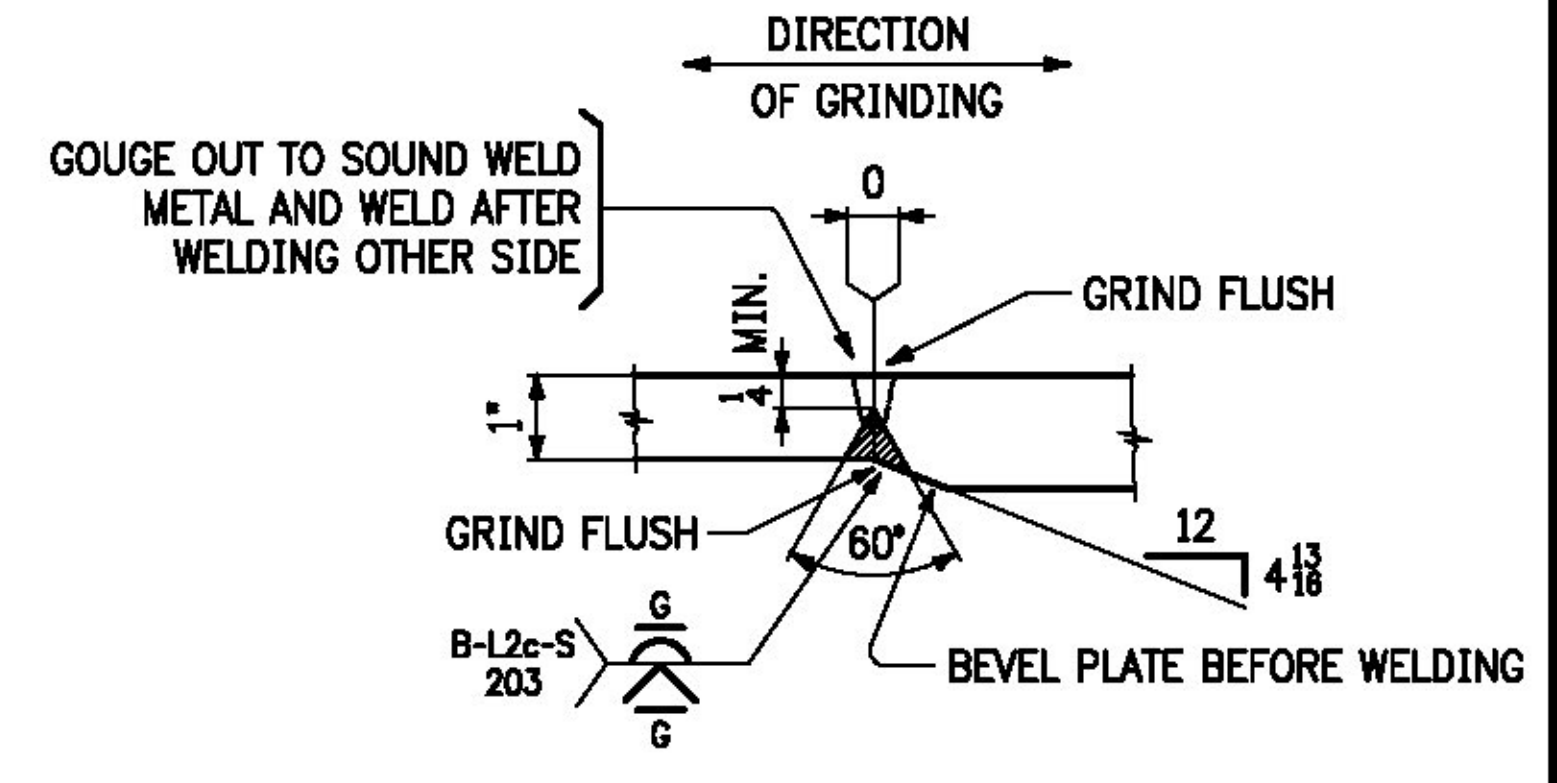
T.Y. LIN INTERNATIONAL
 THE STAMPED DOCUMENTS ARE HEREBY:
 -X- APPROVED
 _____ APPROVED AS NOTED
 _____ REVISE AND RESUBMIT
 SEE TRANSMITTAL FOR ADDITIONAL INFORMATION AS APPLICABLE.
 THIS REVIEW IS FOR GENERAL CONFORMANCE WITH DESIGN CONCEPT ONLY. ANY DEVIATION FROM THE PLANS OR SPECIFICATIONS NOT CLEARLY NOTED BY THE CONTRACTOR HAS NOT BEEN REVIEWED. REVIEW BY THE ENGINEER SHALL NOT RELIEVE THE CONTRACTOR OF THE CONTRACTUAL RESPONSIBILITY FOR ANY ERRORS OR DEVIATION FROM THE CONTRACT REQUIREMENTS.
 RICK HEBERT REVIEWER 2/2/2015 DATE



WEB SPLICE PLATE DET. "W"



FLANGE PLATE SPLICE DETAIL "FA"



FLANGE PLATE SPLICE DETAIL "FB"

NO.	DATE	REMARKS	BY
REVISIONS			
CASCO BAY STEEL STRUCTURES		CASCO BAY STEEL STRUCTURES	
ONE WALLACE AVENUE SOUTH PORTLAND, ME 04106		PHONE: 207-780-6722 FAX: 207-780-6726	
STRUCTURE	BENMONT AVE. (TH-7) (URBAN MINOR ARTERIAL)		
LOCATION	TOWN OF BENNINGTON, VERMONT		
PROJECT NO.	BRIDGE NO. 57 PROJECT NO. BRP 1000(16)		
ENGINEER	STATE OF VERMONT AGENCY OF TRANSPORTATION		
CUSTOMER	ALPINE CONSTRUCTION		
ITEM	WEB & FLANGE CUTTING DIAGRAMS		
SURFACE PREP.	OPEN HOLES		
PAIN			
APPROVAL	DRAWN DMM 12-5-14	SHEET NO. C5	JOB NO. 605
SHOP	CHECKED FM 1-2-15		

Sheet C5 - Printed: 01/09/2015 @ 08:34 (HEATHER)