

T.Y. LIN INTERNATIONAL

THE STAMPED DOCUMENTS ARE HEREBY:

- APPROVED
- APPROVED AS NOTED
- REVISE AND RESUBMIT

SEE TRANSMITTAL FOR ADDITIONAL INFORMATION AS APPLICABLE.

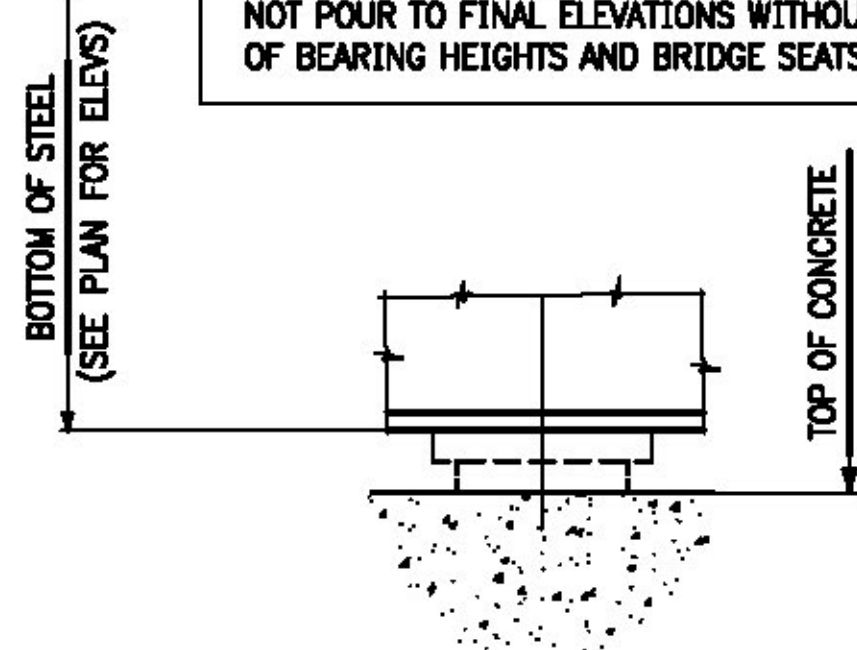
THIS REVIEW IS FOR GENERAL CONFORMANCE WITH DESIGN CONCEPT ONLY. ANY DEVIATION FROM THE PLANS OR SPECIFICATIONS NOT CLEARLY NOTED BY THE CONTRACTOR HAS NOT BEEN REVIEWED. REVIEW BY THE ENGINEER SHALL NOT RELIEVE THE CONTRACTOR OF THE CONTRACTUAL RESPONSIBILITY FOR ANY ERRORS OR DEVIATION FROM THE CONTRACT REQUIREMENTS.

RICK HEBERT
REVIEWER

2/2/2015
DATE

CONTRACTOR NOTE:

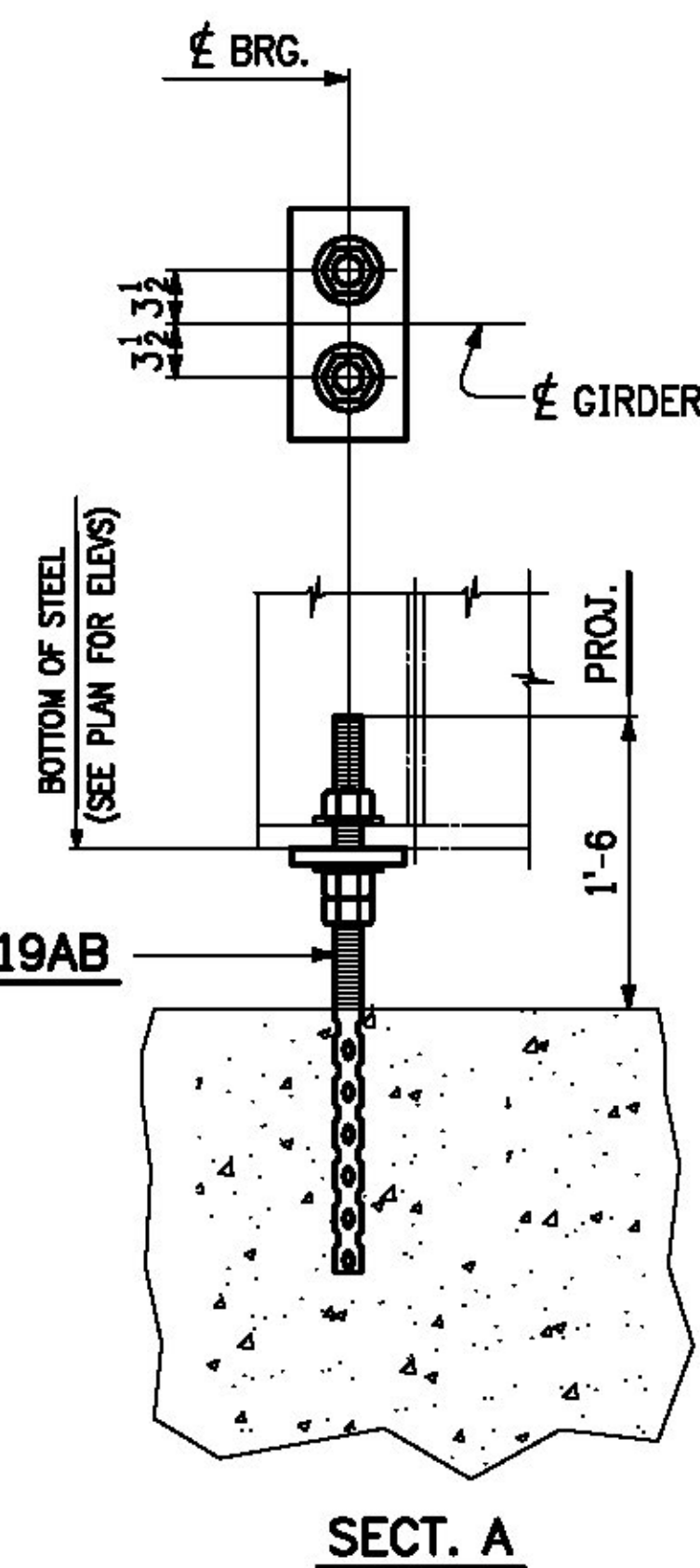
ELEVATIONS ARE GIVEN TO BOTTOM OF STEEL - DO NOT POUR TO FINAL ELEVATIONS WITHOUT VERIFICATION OF BEARING HEIGHTS AND BRIDGE SEATS.



SPAN 1

ERECTION PLAN

SPAN 2



NOTES:

1. FOR GENERAL NOTES, SEE DWG. GN1.
2. ALL DIMENSIONS ARE GIVEN IN A HORIZONTAL PLANE.

| NO. | DATE | REMARKS | BY |
|---|--------------------------|---|--------------------|
| REVISIONS | | | |
| | | CASCO BAY STEEL STRUCTURES ONE WALLACE AVENUE SOUTH PORTLAND, ME 04106 PHONE: 207-780-6722 FAX: 207-780-6726 | |
| STRUCTURE <u>BENMONT AVE. (TH-7) (URBAN MINOR ARTERIAL)</u> | | | |
| LOCATION <u>TOWN OF BENNINGTON, VERMONT</u> | | | |
| PROJECT NO. <u>BRIDGE NO. 57 PROJECT NO. BRP 1000(16)</u> | | | |
| ENGINEER <u>STATE OF VERMONT AGENCY OF TRANSPORTATION</u> | | | |
| CUSTOMER <u>ALPINE CONSTRUCTION</u> | | | |
| ITEM <u>ERECTION PLAN</u> | | | |
| SURFACE PREP. <u>OPEN HOLES</u> | | | |
| PAINT _____ | | | |
| APPROVAL _____ | DRAWN <u>MAY</u> 12-3-14 | SHEET NO. <u>E1</u> | JOB NO. <u>605</u> |
| SHOP _____ | CHECKED <u>FM</u> 1-6-15 | | |