

**WATERLINE UTILITY SUPPORT
BETWEEN GIRDERS 1 & 2
(LOOKING UPSTATION)**

CBSS RFI 605-01
Please Advise

Shop weld connection
angle to web and field
bolt W8 to connection
angles

Shop weld connection
angle to web

T.Y. LIN INTERNATIONAL

THE STAMPED DOCUMENTS ARE HEREBY:

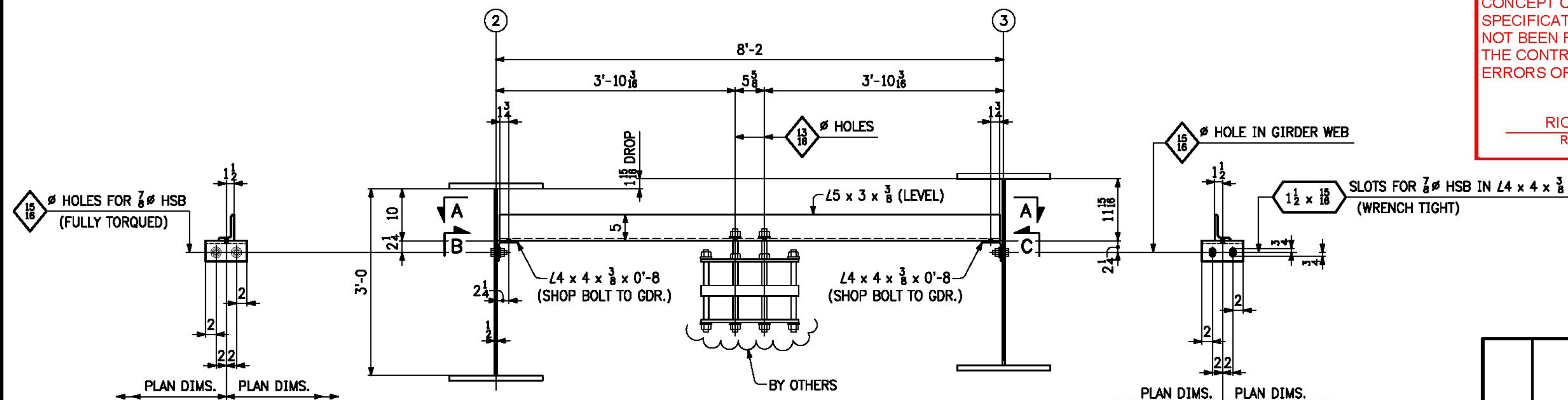
- APPROVED
- APPROVED AS NOTED
- REVISE AND RESUBMIT

SEE TRANSMITTAL FOR ADDITIONAL INFORMATION AS APPLICABLE.

THIS REVIEW IS FOR GENERAL CONFORMANCE WITH DESIGN CONCEPT ONLY. ANY DEVIATION FROM THE PLANS OR SPECIFICATIONS NOT CLEARLY NOTED BY THE CONTRACTOR HAS NOT BEEN REVIEWED. REVIEW BY THE ENGINEER SHALL NOT RELIEVE THE CONTRACTOR OF THE CONTRACTUAL RESPONSIBILITY FOR ANY ERRORS OR DEVIATION FROM THE CONTRACT REQUIREMENTS.

RICK HEBERT
REVIEWER

2/2/2015
DATE



**6" DUCT BANK SUPPORT
BETWEEN GIRDERS 2 & 3
(LOOKING UPSTATION)**

SECT. B

SECT. C

SECT. A-A

THIS IS A WORK DRAWING. ITS FUNCTION IS TO PROVIDE BASIC DIMENSIONS AND CONCEPTS FOR USE IN THE PREPARATION OF THE SHOP DETAILS. IT IS NOT INTENDED TO BE USED FOR ERECTION OR FABRICATION.

NO.	DATE	REMARKS	BY
REVISIONS			
CASCO BAY STEEL		CASCO BAY STEEL STRUCTURES	
STRUCTURE		BENMONT AVE. (TH-7) (URBAN MINOR ARTERIAL)	
LOCATION		TOWN OF BENNINGTON, VERMONT	
PROJECT NO.		BRIDGE NO. 57 PROJECT NO. BRF 1000(16)	
ENGINEER		STATE OF VERMONT AGENCY OF TRANSPORTATION	
CUSTOMER		ALPINE CONSTRUCTION	
ITEM		LAYOUTS	
SURFACE PREP.		OPEN HOLES 1/8" HOLES FOR 3/4" BOLTS	
PAINT			
APPROVAL	DRAWN WCG 12-2-14	SHEET NO.	JOB NO.
SHOP	CHECKED LK 12-3-14	TD2	605