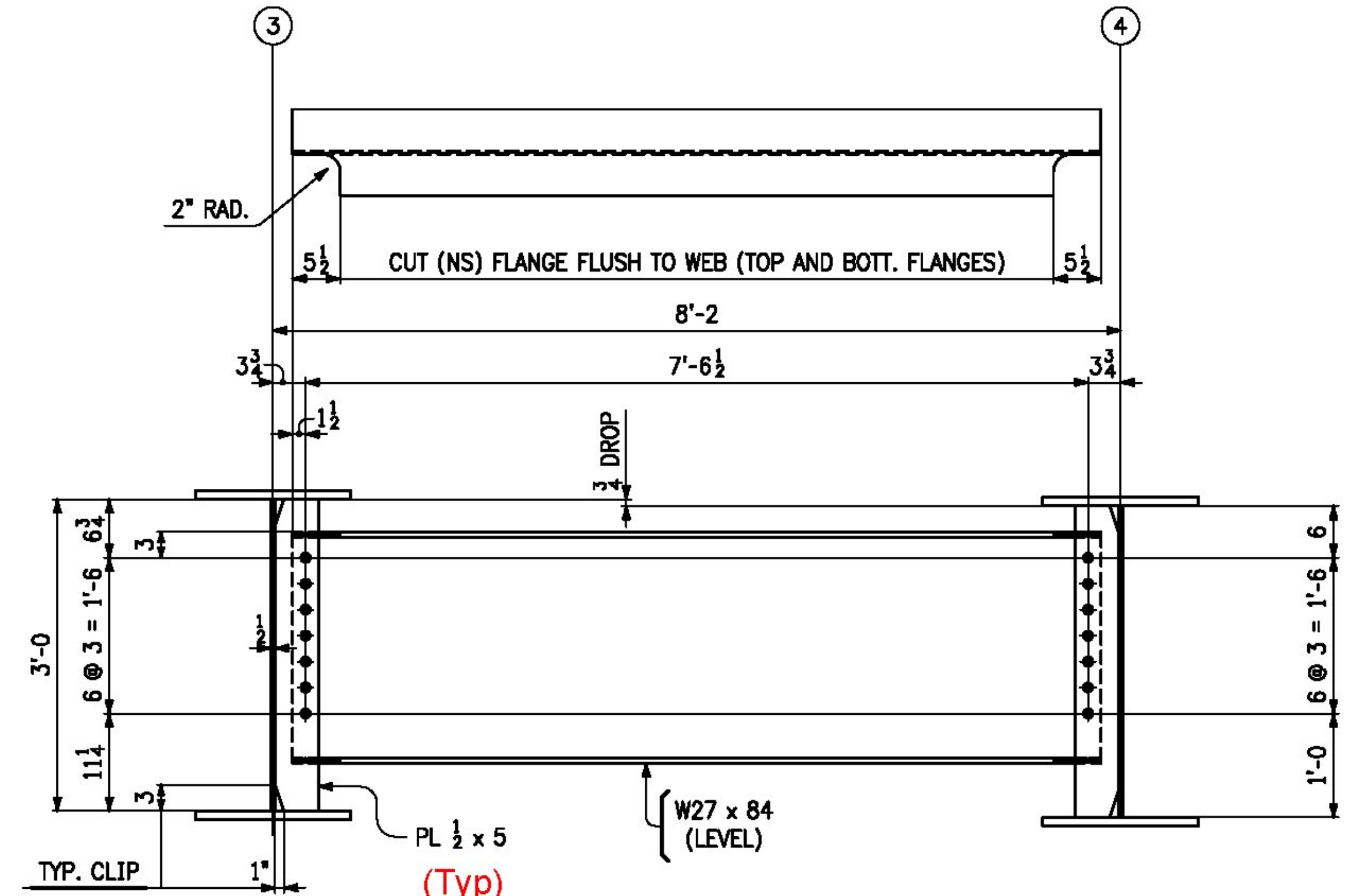
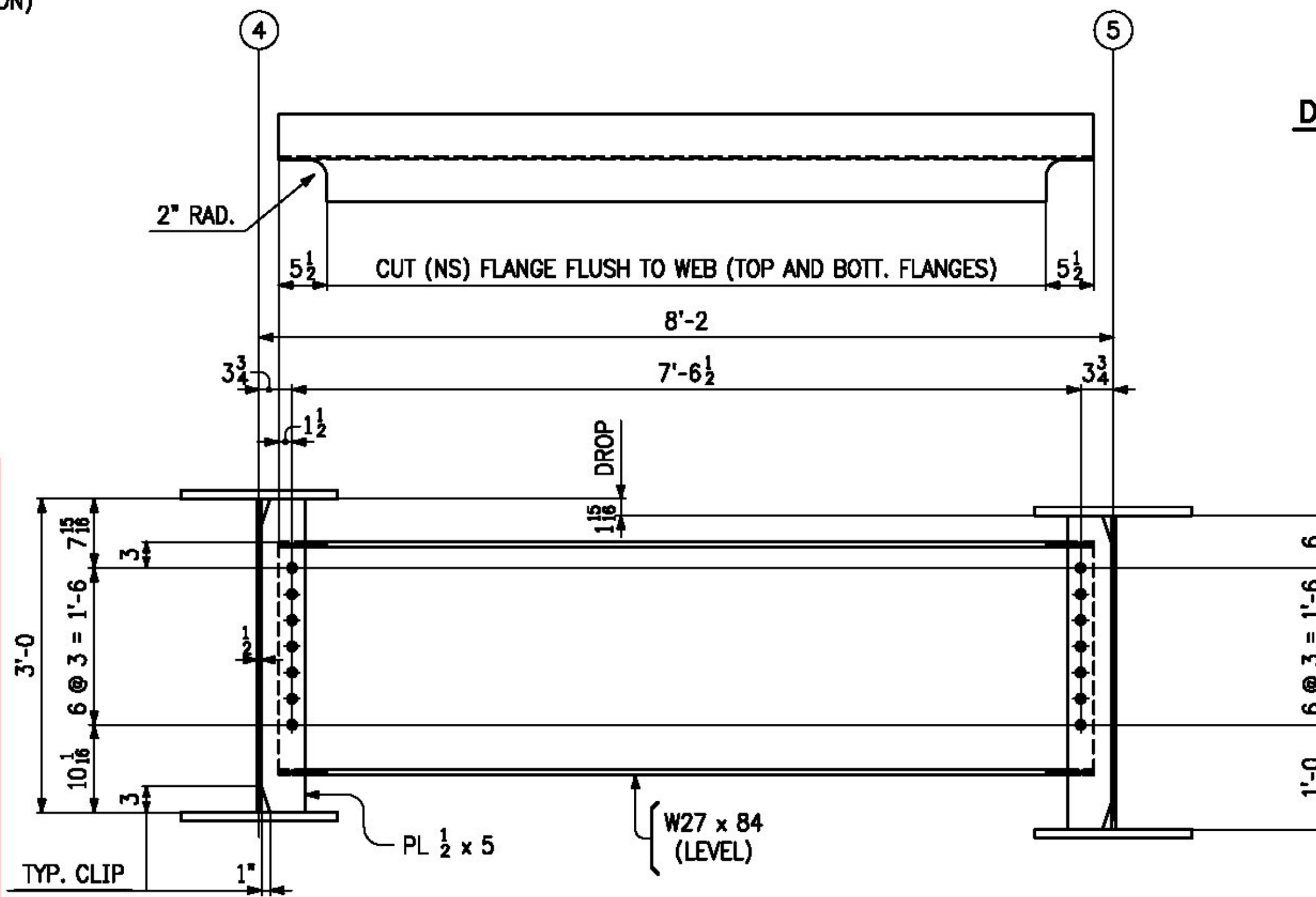


**TYPE A CROSSFRAME  
BETWEEN GIRDERS 1, 2 & 3  
(LOOKING UPSTATION)**



**TYPE B DIAPHRAGM  
BETWEEN GIRDERS 3 & 4  
(LOOKING UPSTATION)**



**TYPE B DIAPHRAGM  
BETWEEN GIRDERS 4 & 5  
(LOOKING UPSTATION)**

**DETAILER NOTE FOR TYPE B DIAPHRAGMS BETWEEN GIRDERS 3 & 4:**

1. HOLES IN CONNECTION PLATES SHALL BE  $1\frac{1}{16}$ " FOR  $\frac{7}{8}$ " BOLTS.
2. BOLTS SHALL NOT BE TIGHTENED UNTIL AFTER PHASE III DECK CONCRETE HAS BEEN POURED.

**T.Y. LIN INTERNATIONAL**

THE STAMPED DOCUMENTS ARE HEREBY:

- APPROVED
- APPROVED AS NOTED
- REVISE AND RESUBMIT

SEE TRANSMITTAL FOR ADDITIONAL INFORMATION AS APPLICABLE.

THIS REVIEW IS FOR GENERAL CONFORMANCE WITH DESIGN CONCEPT ONLY. ANY DEVIATION FROM THE PLANS OR SPECIFICATIONS NOT CLEARLY NOTED BY THE CONTRACTOR HAS NOT BEEN REVIEWED. REVIEW BY THE ENGINEER SHALL NOT RELIEVE THE CONTRACTOR OF THE CONTRACTUAL RESPONSIBILITY FOR ANY ERRORS OR DEVIATION FROM THE CONTRACT REQUIREMENTS.

RICK HEBERT  
REVIEWER

2/2/2015  
DATE

THIS IS A WORK DRAWING. ITS FUNCTION IS TO PROVIDE BASIC DIMENSIONS AND CONCEPTS FOR USE IN THE PREPARATION OF THE SHOP DETAILS. IT IS NOT INTENDED TO BE USED FOR ERECTION OR FABRICATION.

NO.	DATE	REMARKS	BY
REVISIONS			
		<b>CASCO BAY STEEL STRUCTURES</b> ONE WALLACE AVENUE SOUTH PORTLAND, ME 04106 PHONE: 207-780-6722 FAX: 207-780-6726	
STRUCTURE <u>BENMONT AVE. (TH-7) (URBAN MINOR ARTERIAL)</u>			
LOCATION <u>TOWN OF BENNINGTON, VERMONT</u>			
PROJECT NO. <u>BRIDGE NO. 57 PROJECT NO. BR 1000(16)</u>			
ENGINEER <u>STATE OF VERMONT AGENCY OF TRANSPORTATION</u>			
CUSTOMER <u>ALPINE CONSTRUCTION</u>			
ITEM <u>LAYOUTS</u>			
SURFACE PREP. <u>OPEN HOLES 1 1/8" HOLES FOR 7/8" BOLTS (UN)</u>			
PAINT _____			
APPROVAL	DRAWN	WCG 12-2-14	SHEET NO. TD1
SHOP	CHECKED	12-3-14	JOB NO. 605