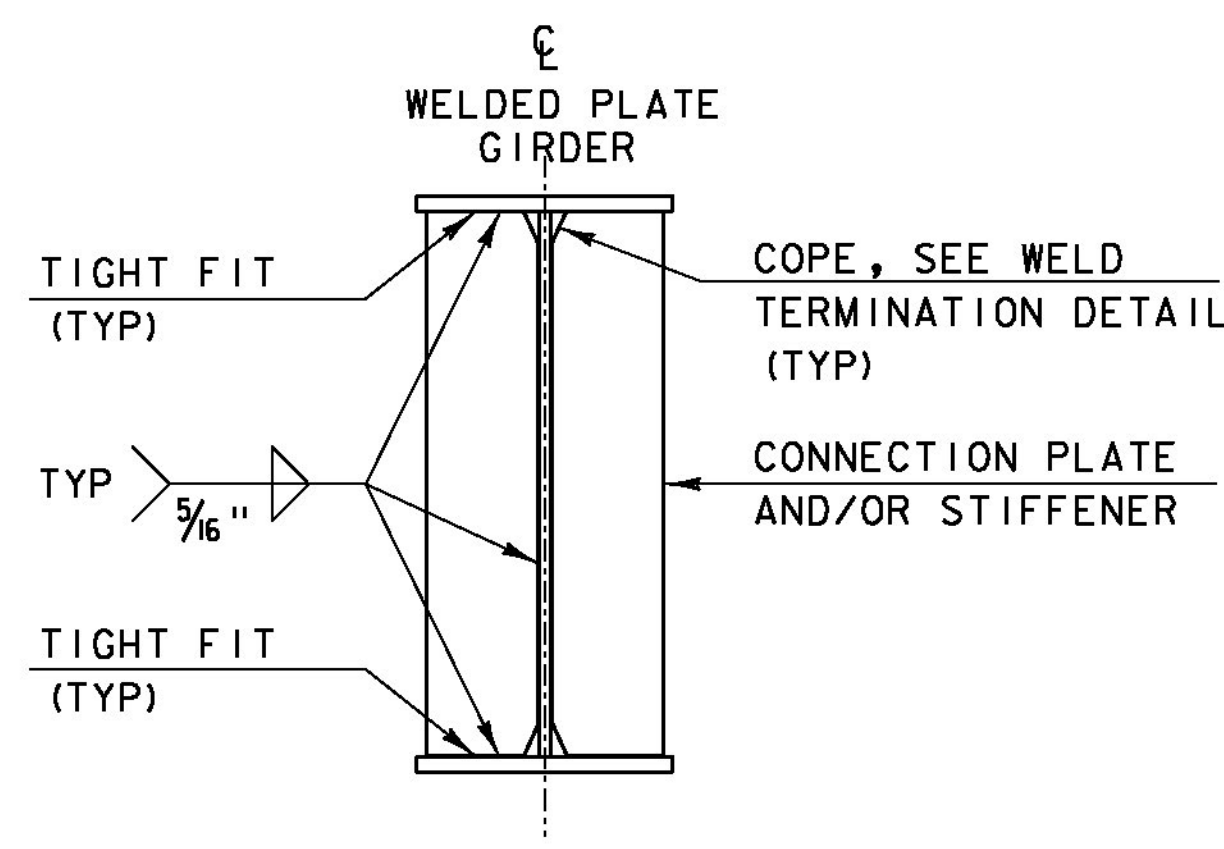


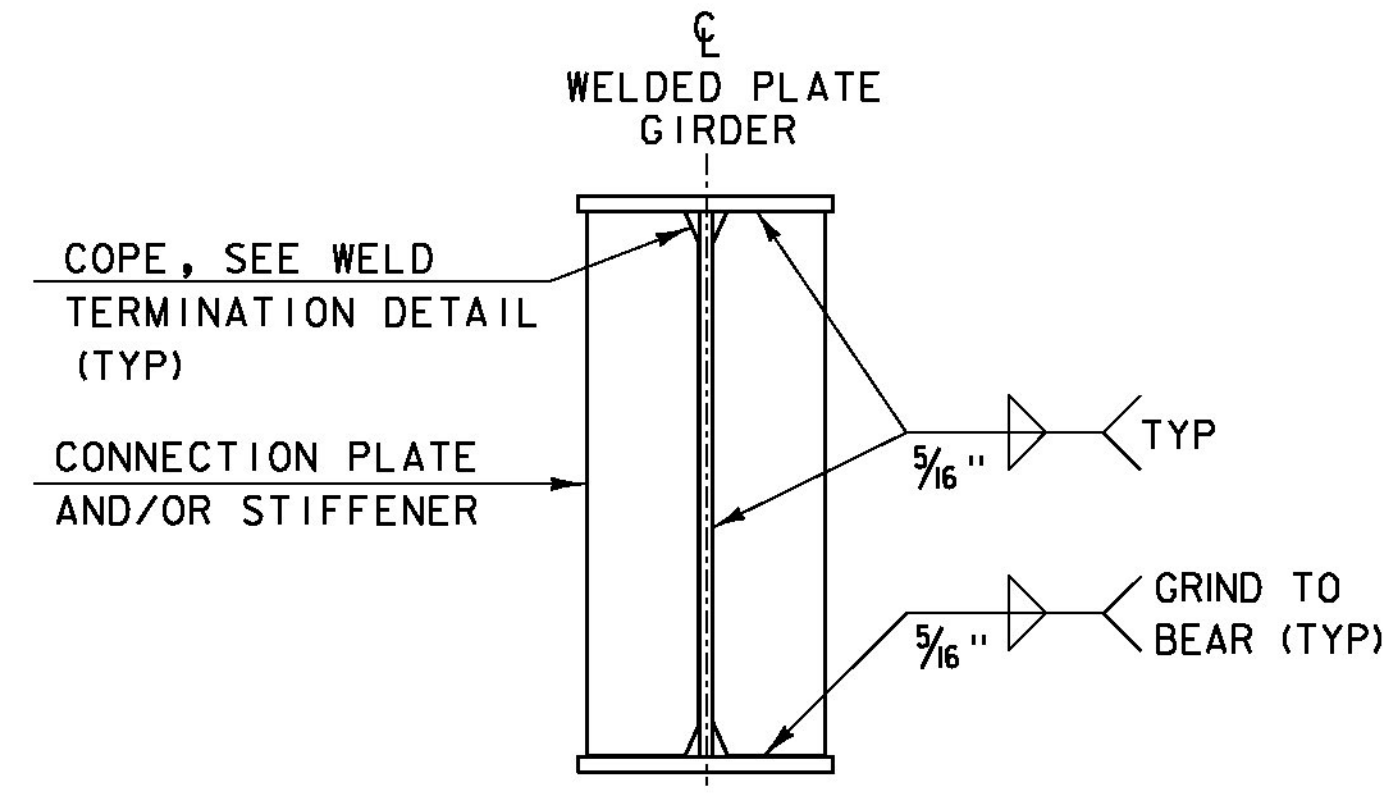
WELD TERMINATION AND COPING  
DETAILS FOR STEEL MEMBERS

\*NO WELD FOR 3/8" MIN. 7/8" MAX. (EXCEPT MUST MAINTAIN 1" MINIMUM FROM EDGE OF FLANGE)

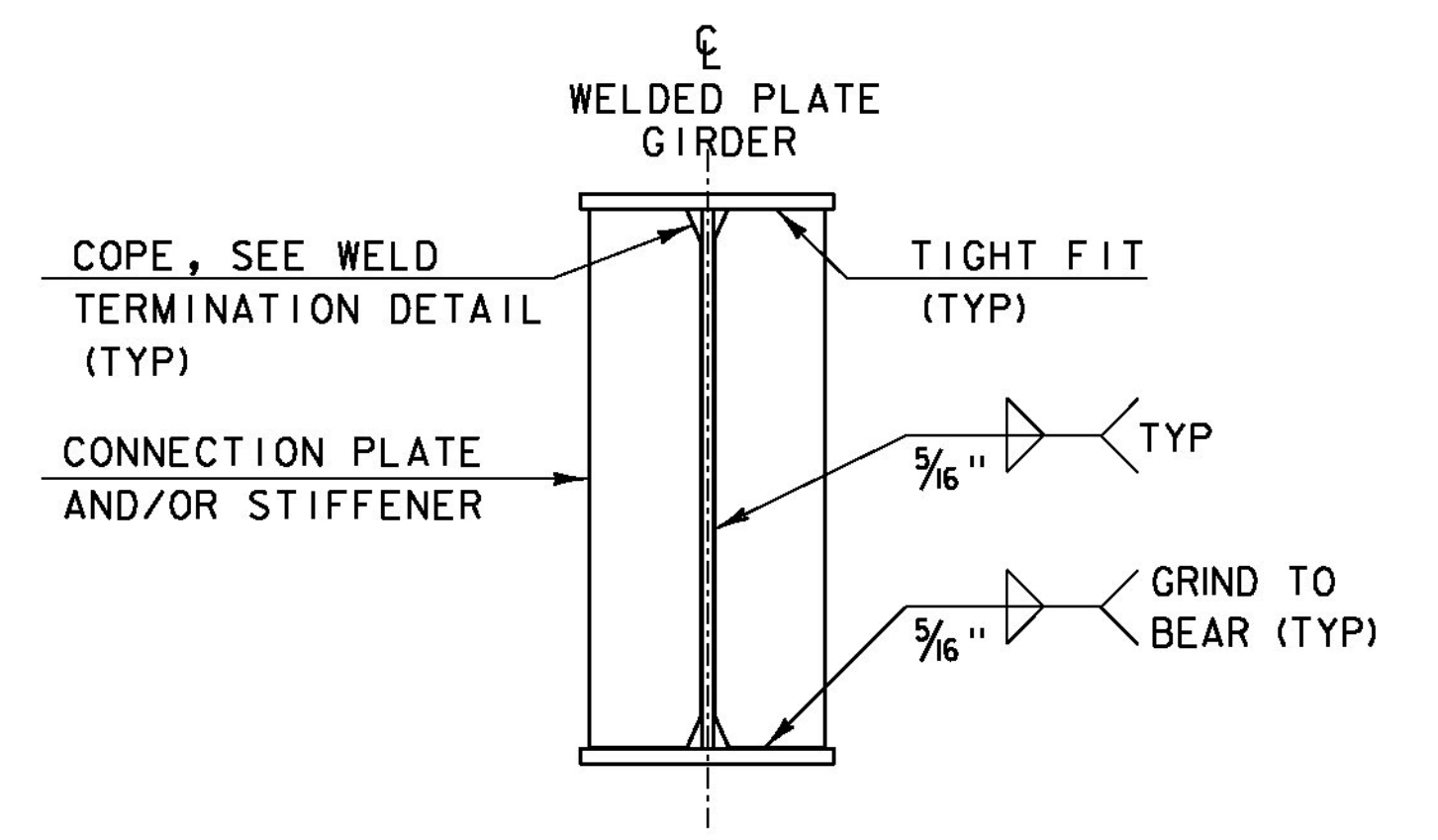


INTERMEDIATE CONNECTION PLATES  
AND/OR STIFFENERS FOR WELDED  
PLATE GIRDERS

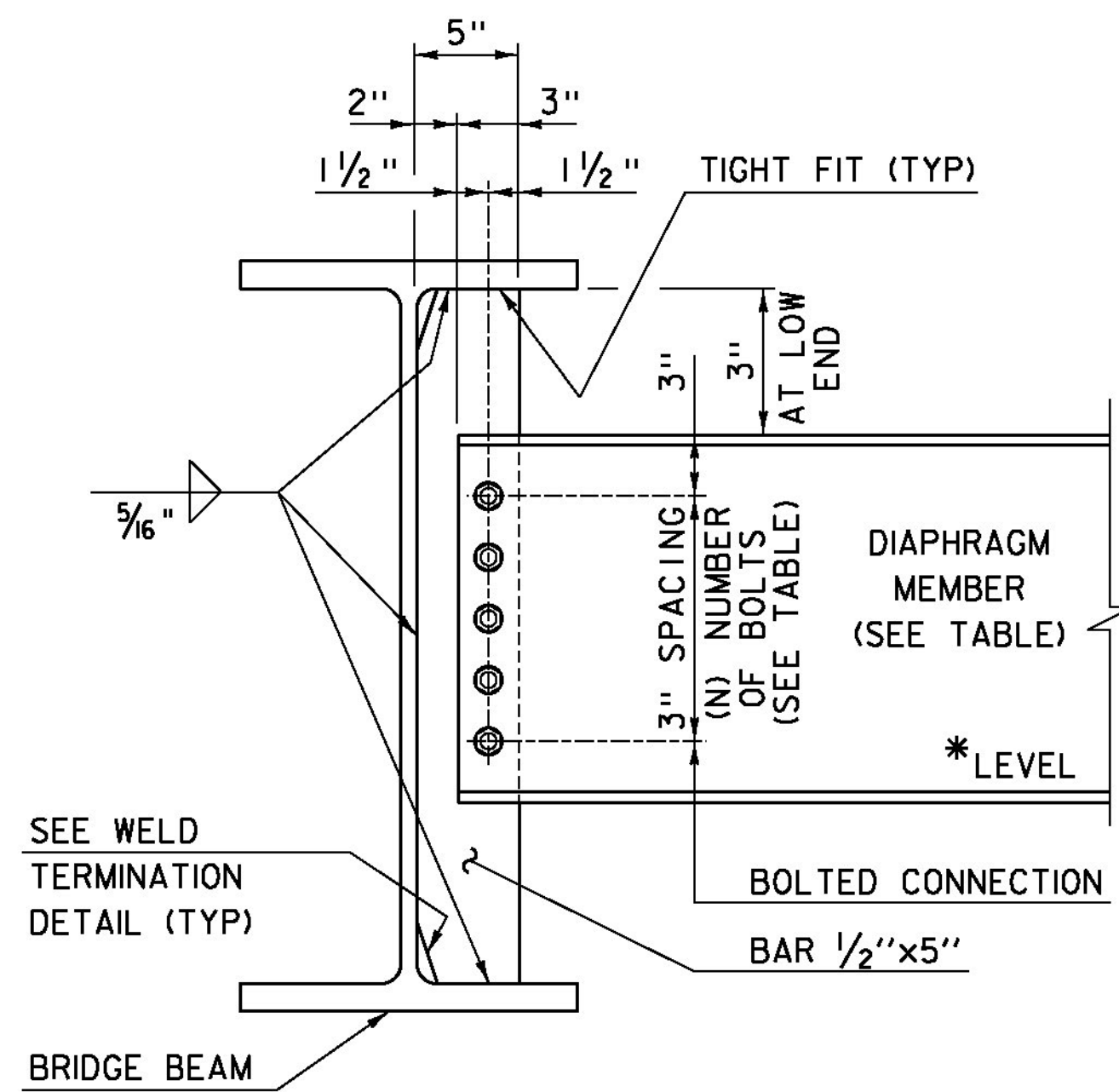
INTERMEDIATE DETAIL IS ONLY USED WHEN PLATE DOES NOT OCCUR AT AN ABUTMENT OR PIER.



ABUTMENT BEARING STIFFENERS  
AND/OR CONNECTION PLATES  
FOR WELDED PLATE GIRDERS



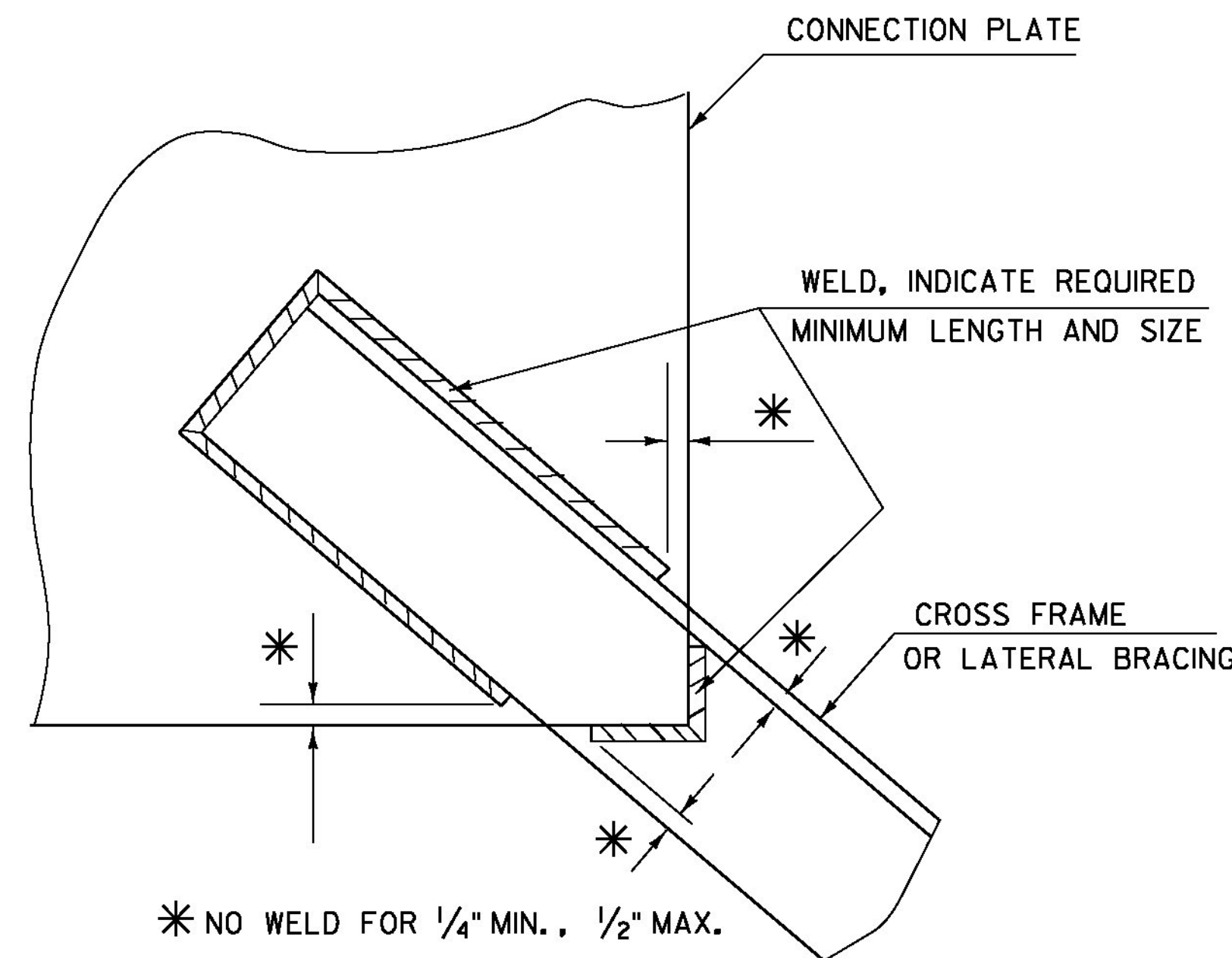
PIER BEARING STIFFENERS  
AND/OR CONNECTION PLATES  
FOR WELDED PLATE GIRDERS



INTERMEDIATE DIAPHRAGMS  
FOR 24\"/>

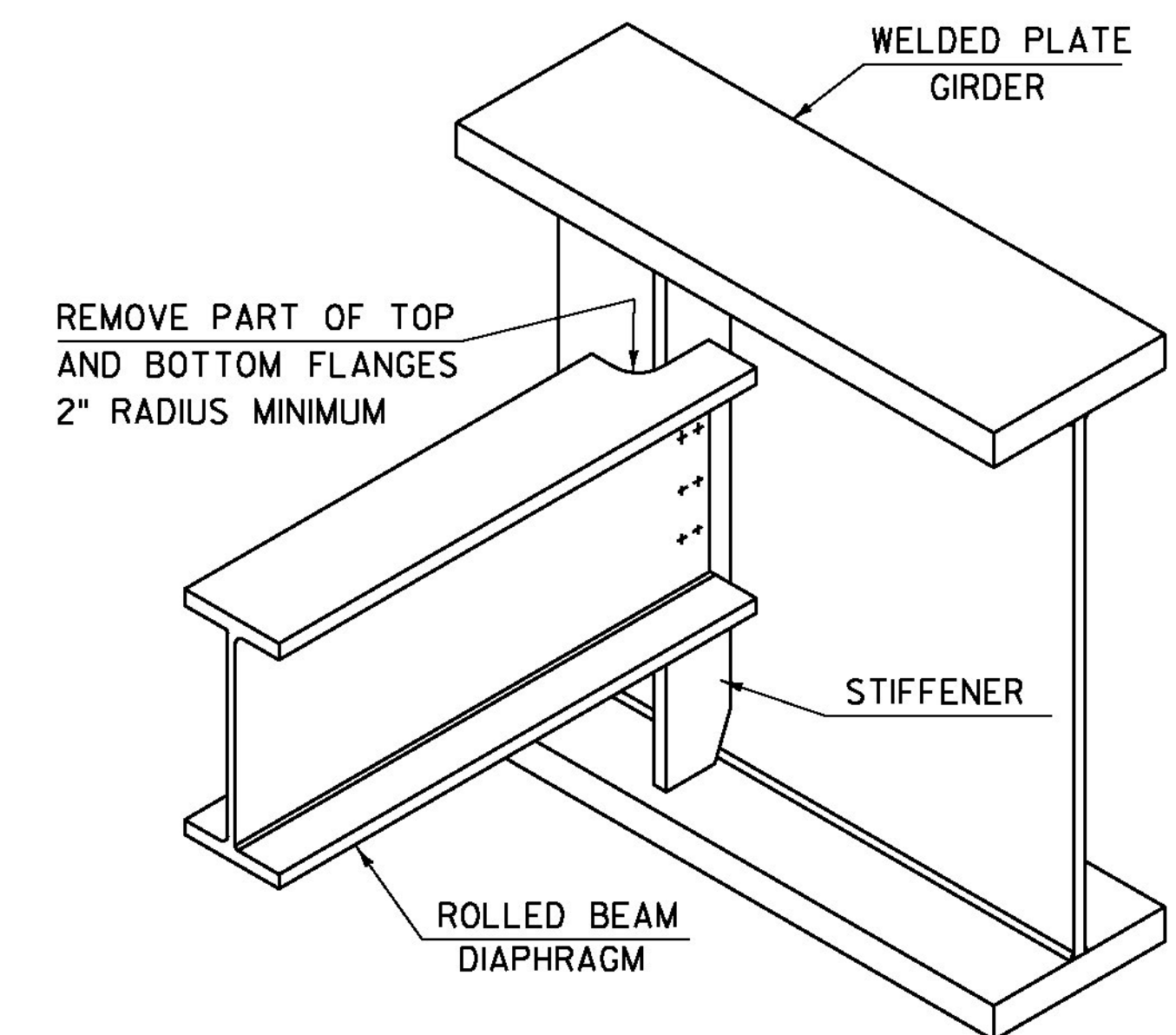
\* IF CLEARANCE CANNOT BE MET, DIAPHRAGM MAY BE SLOPED.

	DEPTH	DIAPHRAGM MEMBER	(N) BOLTS
ROLLED BEAM	24"	C15x33.9	4
	30"		
	31"	MC18x42.7	5
	36"		
PLATE GIRDER WEB	31"	W27x84	7
	36"		
PLATE GIRDER WEB	37"	W21x44	6
	42"		
	43"	W33x118	9
	48"		



WELD LOCATION DETAIL AT CROSS  
FRAMES AND LATERAL BRACING

\* NO WELD FOR 1/4" MIN. , 1/2" MAX.



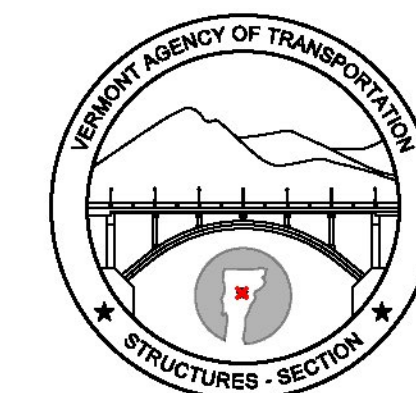
ROLLED BEAM USED AS DIAPHRAGM

SEE CONTRACT DRAWINGS FOR SIZES OF MEMBERS AND CONNECTION DETAILS

DETAILS ON THIS SHEET ARE "NOT TO SCALE" UNLESS NOTED OTHERWISE.

REVISIONS	
MAY 7, 2010	APPROVED FOR USE BY VAOT STRUCTURES SECTION
MAY 2, 2011	ADD INTERMEDIATE DIAPHRAGMS DETAIL & ADD NOT TO SCALE NOTE

# STRUCTURAL STEEL PLATE GIRDER DETAILS AND NOTES



STRUCTURES  
DETAIL  
SD-602.00