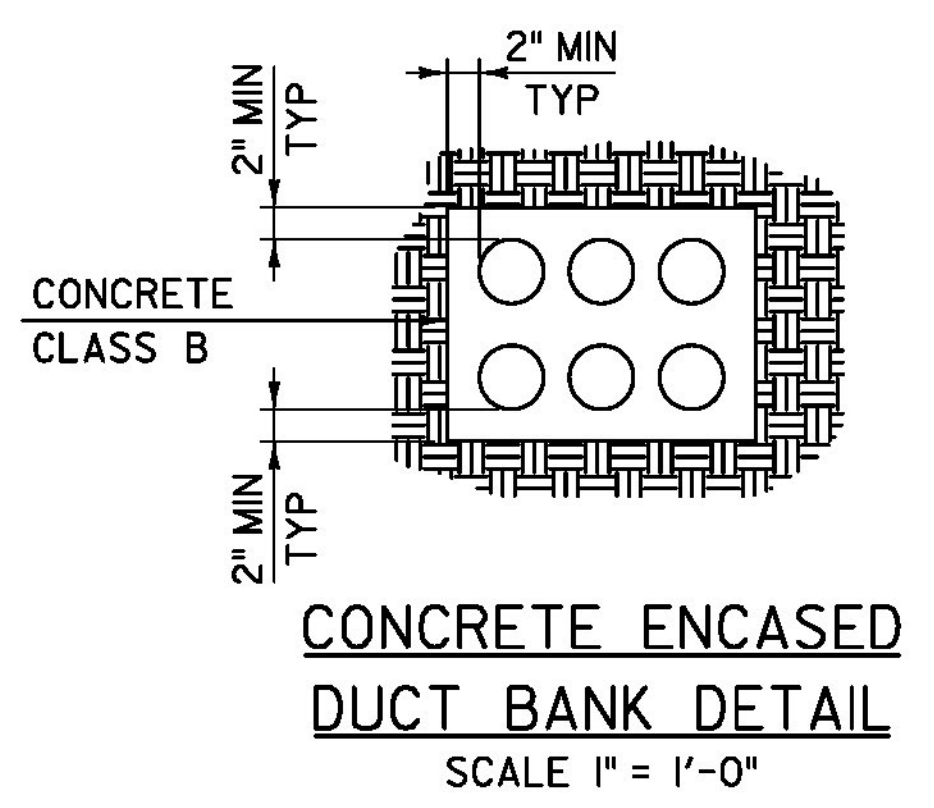
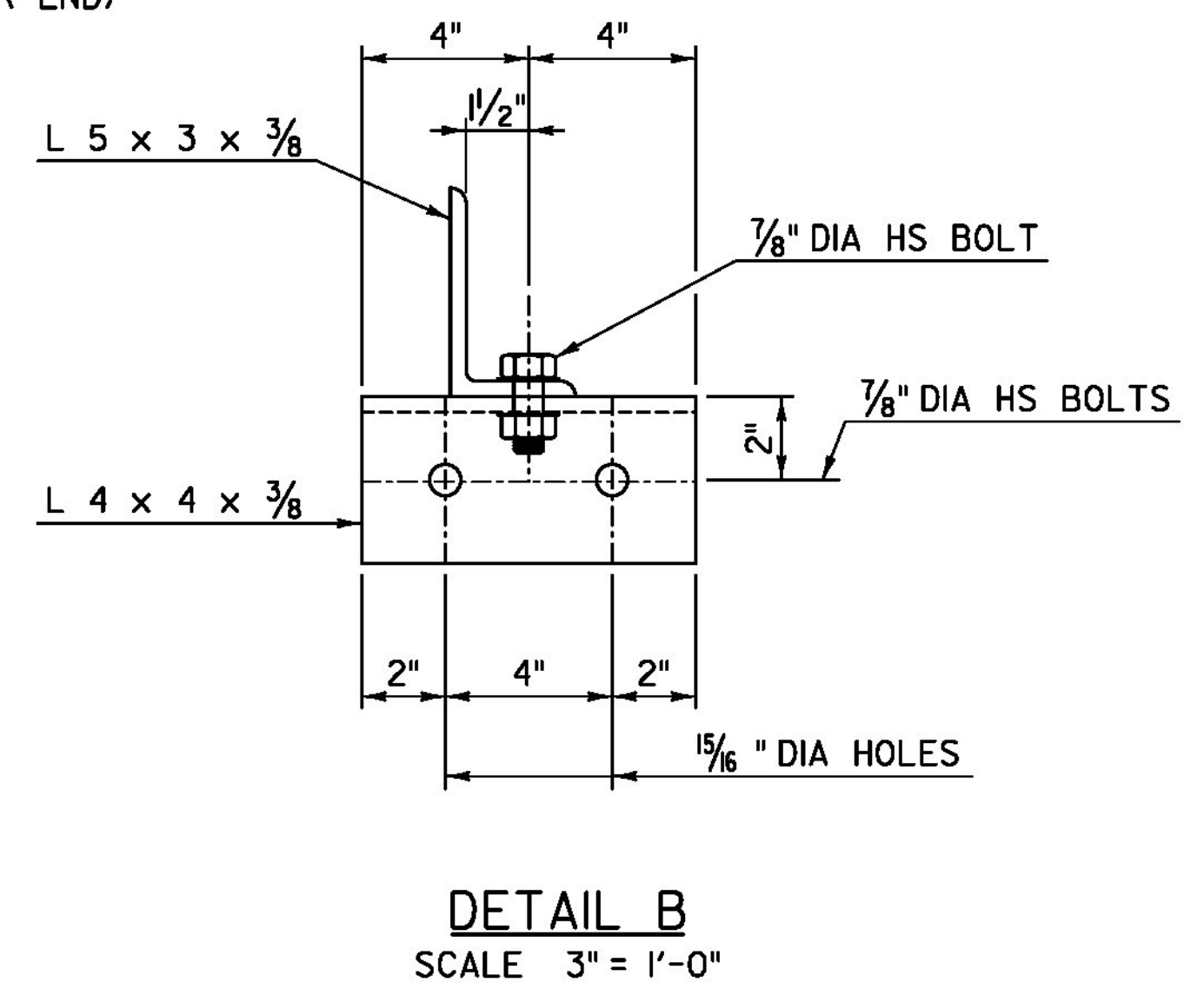
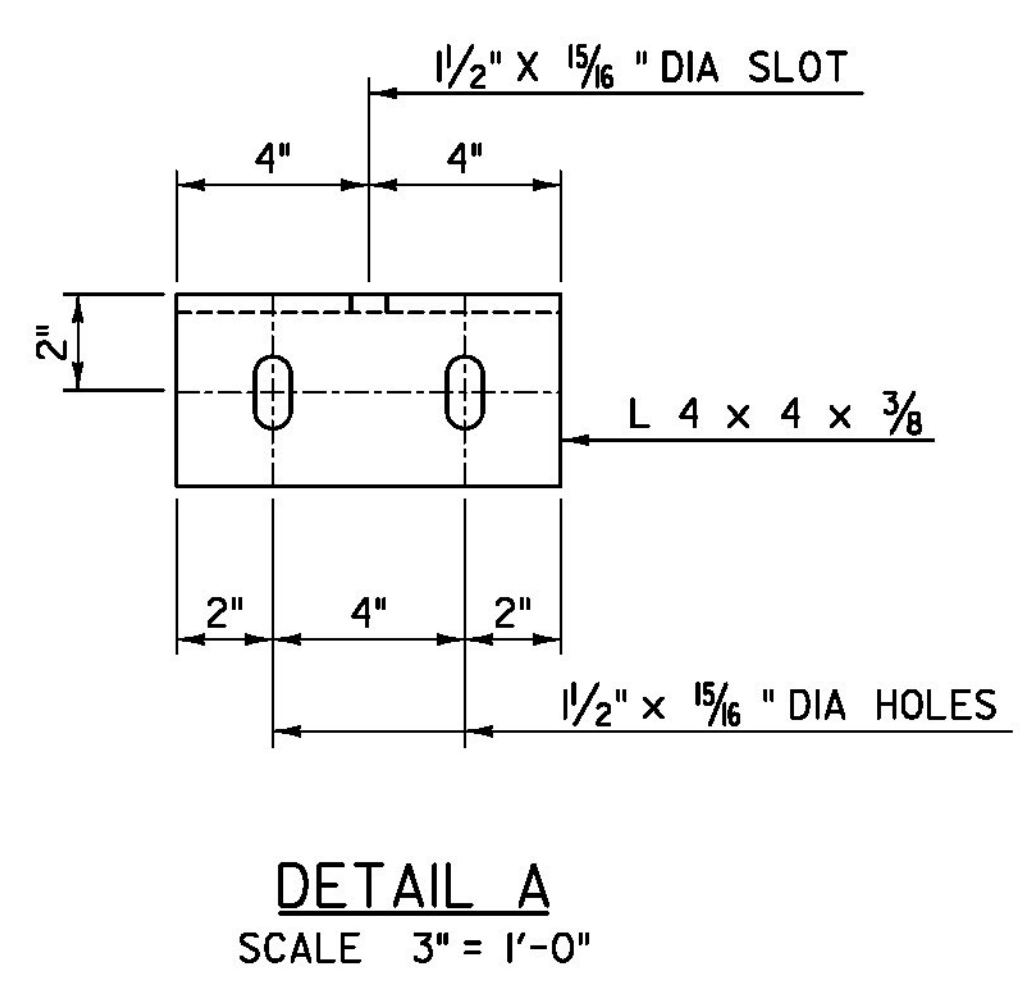
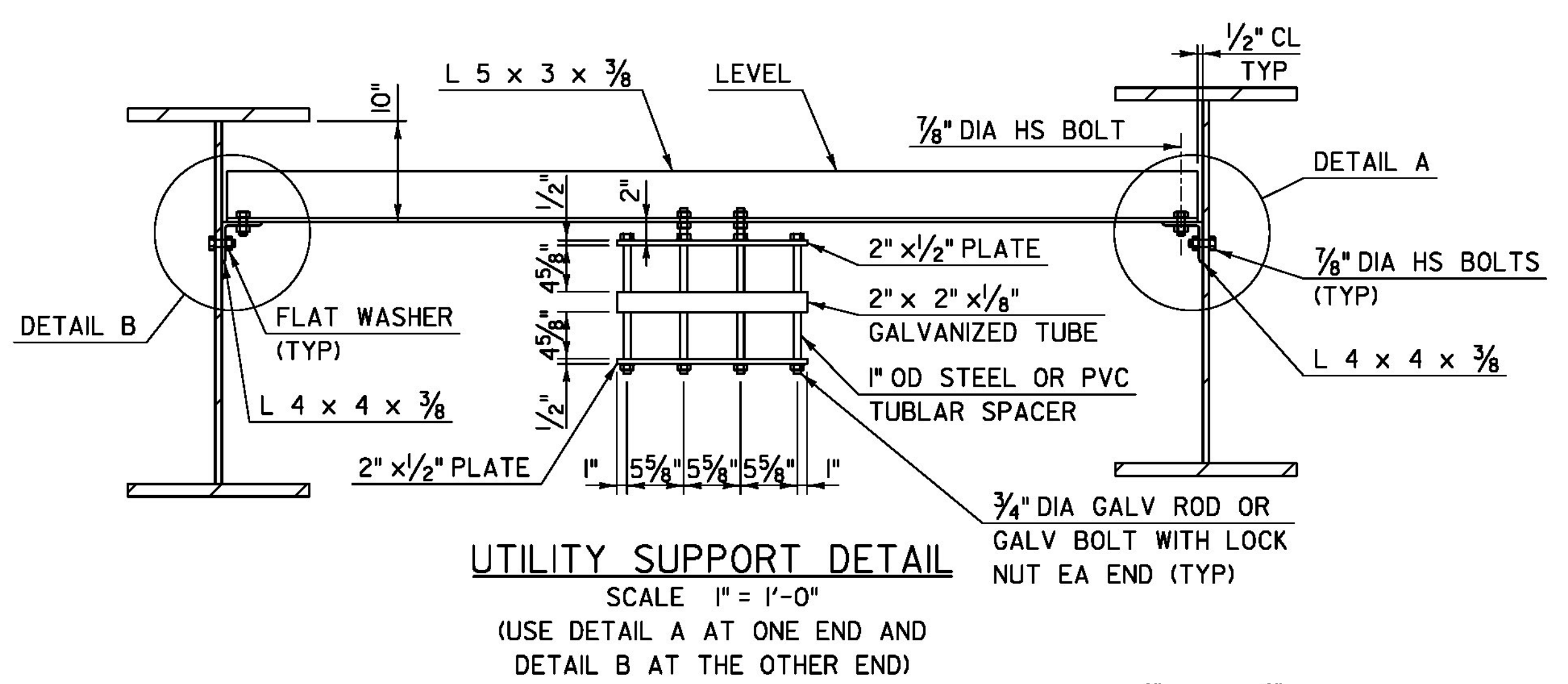
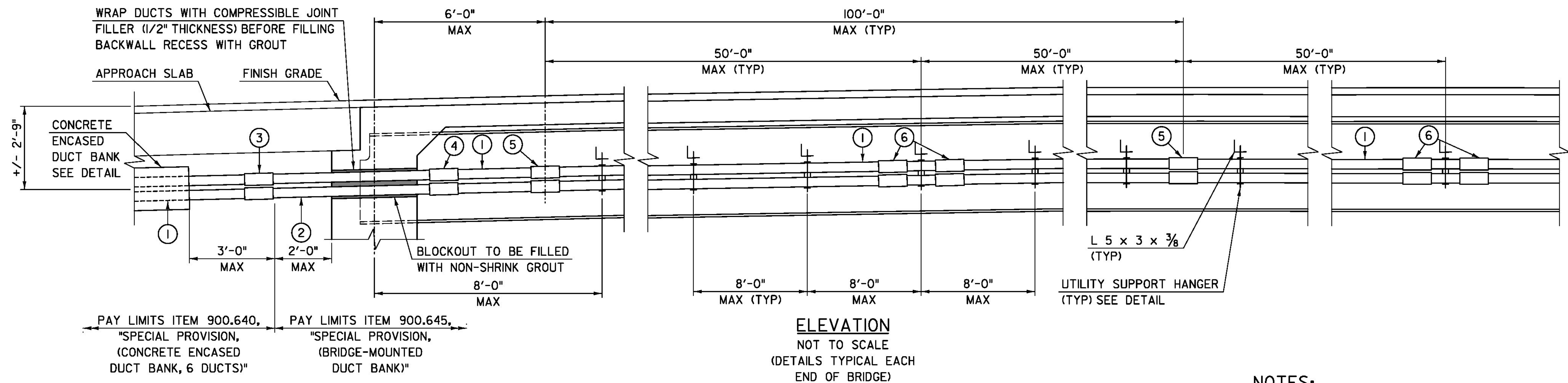


- ① 4" DIA PVC DUCT
- ② 4" DIA GALVANIZED STEEL DUCT
- ③ PVC-GALVANIZED ADAPTOR
- ④ GALVANIZED-PVC ADAPTOR
- ⑤ PVC EXPANSION JOINT
- ⑥ PVC LOCK RING



NOTES:

1. PVC EXPANSION JOINTS SHALL BE SLIDING SLEEVE TYPE TO ACCOMMODATE AT LEAST 4" OF EXPANSION TRAVEL.
2. THREADED COUPLINGS SHALL BE USED ON STEEL CONDUIT.
3. STRUCTURAL STEEL FOR ANGLES SHALL BE AASHTO M270 GR 50W.
4. BOLTS USED IN FIELD CONNECTIONS SHALL BE TYPE 3, 7/8" DIA, AND MEET THE REQUIREMENTS OF SUBSECTION 714.05. HOLE DIAMETERS SHALL BE 15/16". ANY CONNECTIONS NOT DESIGNED SHALL BE DETAILED BY THE FABRICATOR AND SUBMITTED TO THE STRUCTURES ENGINEER FOR APPROVAL.
5. STEEL FITTINGS AND RODS SHALL BE GALVANIZED IN ACCORDANCE WITH AASHTO M232. A NEOPRENE OR VINYL WASHER SHALL BE PLACED BETWEEN THE ANGLE SURFACE (ON BOTH SIDES) AND THE NUT/WASHER TO ISOLATE THE CONTACT BETWEEN THE TWO SURFACES.
6. BRIDGE MOUNTED DUCT BANK, INCLUDING STRUCTURAL STEEL SUPPORT ANGLES, UTILITY SUPPORT HANGARS, ABUTMENT PENETRATIONS, CONDUITS, ASSOCIATED JOINT ASSEMBLIES, AND ALL OTHER INCIDENTAL ITEMS NECESSARY TO COMPLETE THE WORK, SHALL BE PAID FOR AS ITEM 900.645, "SPECIAL PROVISION (BRIDGE-MOUNTED DUCT BANK)".
7. CONCRETE ENCASED DUCT BANK, INCLUDING CONDUITS, ASSOCIATED JOINT ASSEMBLIES, CONCRETE, AND ALL OTHER INCIDENTAL ITEMS NECESSARY TO COMPLETE THE WORK, SHALL BE PAID FOR AS ITEM 900.640, "SPECIAL PROVISION (CONCRETE ENCASED DUCT BANK, 6 DUCTS) (4)".
8. CONNECTION OF CONDUIT TO PROPOSED CONDUIT IN APPROACHES INSTALLED BY OTHERS WILL BE DONE BY THE UTILITY.

PROJECT NAME:	BENNINGTON	PLOT DATE:	8/7/2014
PROJECT NUMBER:	BRF 1000(16)	DRAWN BY:	S. MORGAN
FILE NAME:	z88j087bdr_util.dgn	CHECKED BY:	R. HEBERT
DESIGNED BY:	D. MYERS	UTILITY DUCT BANK DETAILS	SHEET 68 OF 75