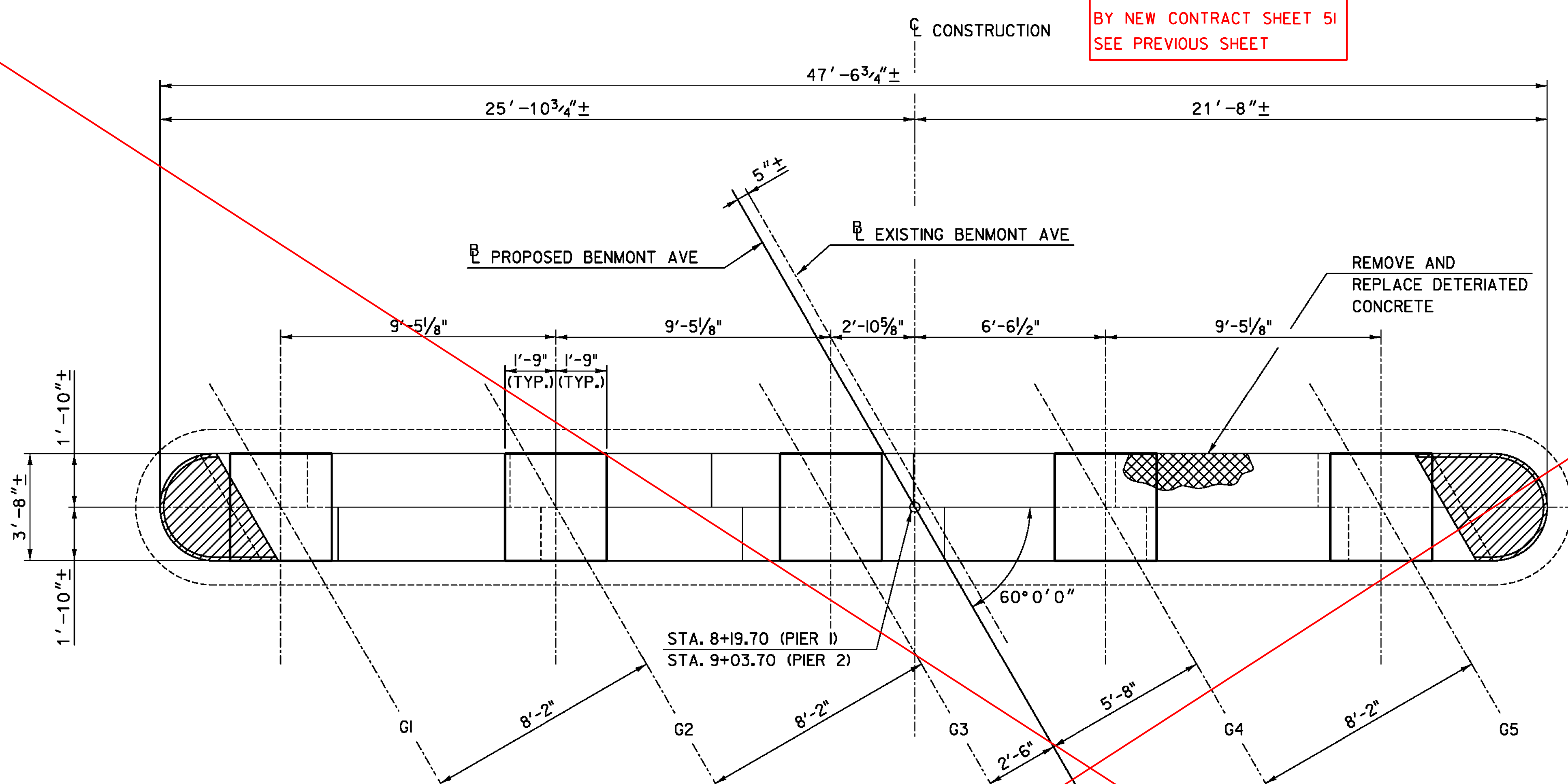
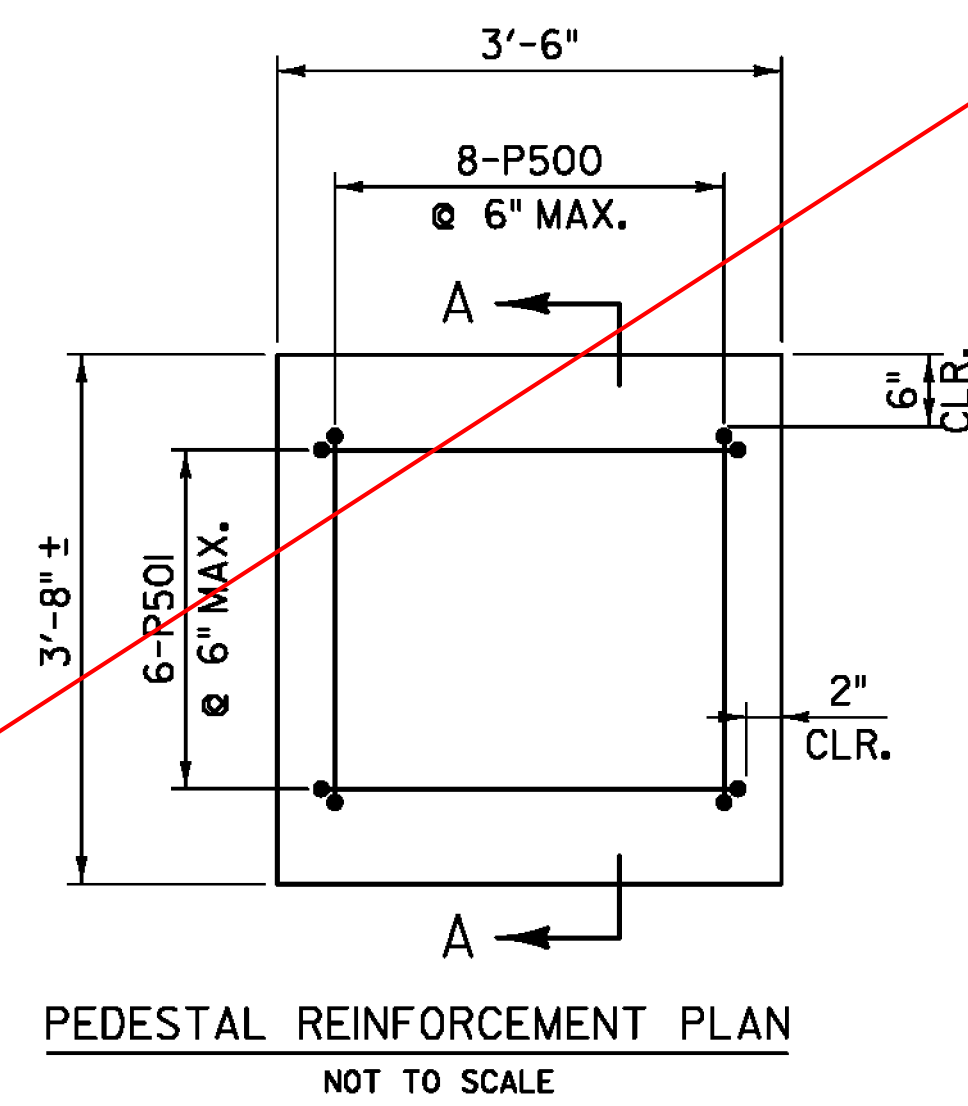


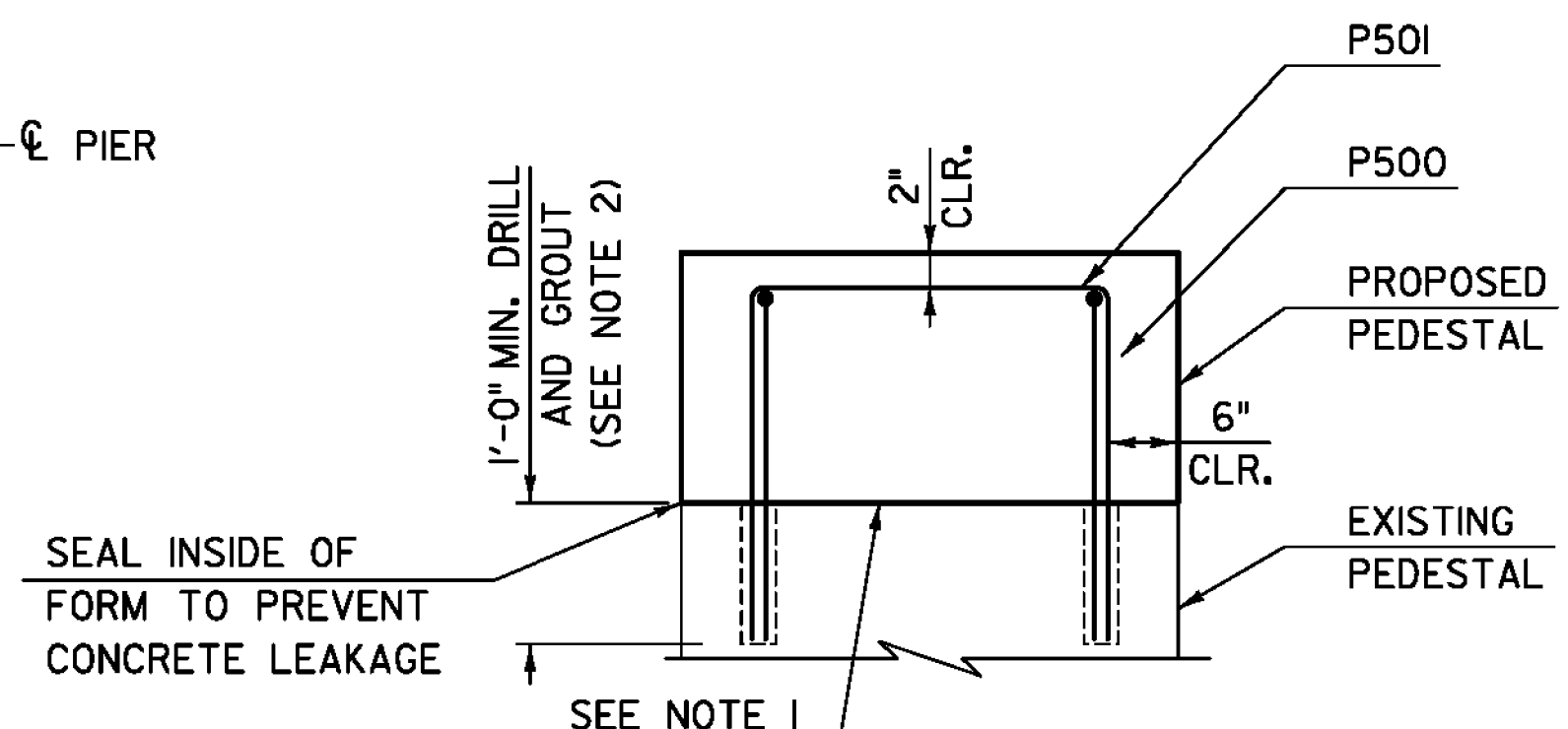
THIS SHEET REPLACED
BY NEW CONTRACT SHEET 51
SEE PREVIOUS SHEET



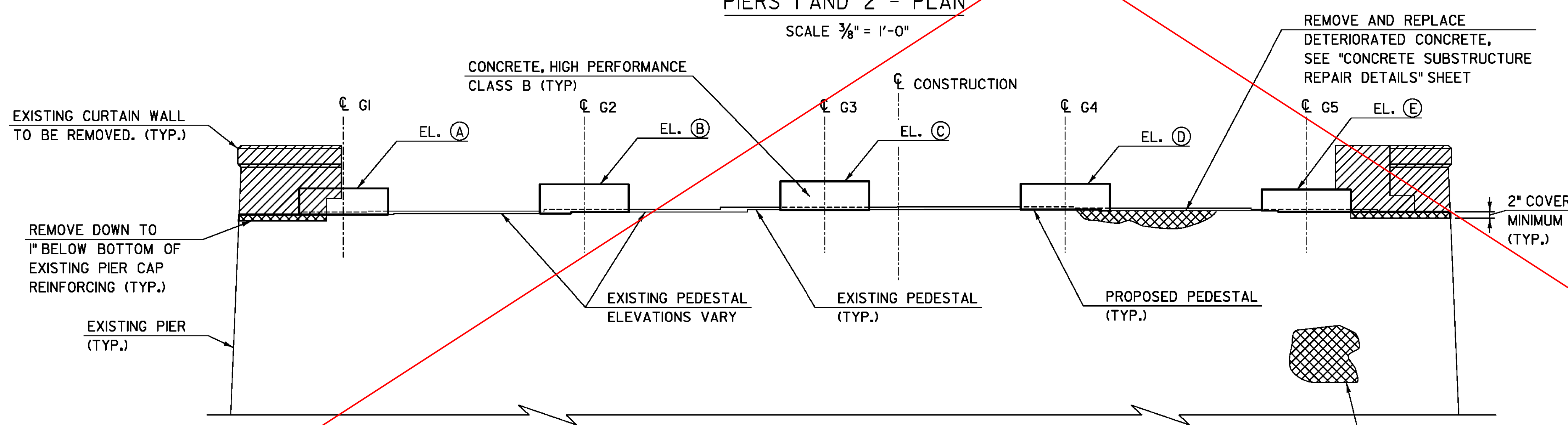
PIERS 1 AND 2 - PLAN
SCALE 3/8" = 1'-0"



PEDESTAL REINFORCEMENT PLAN
NOT TO SCALE



PEDESTAL REINFORCEMENT SECTION A-A
NOT TO SCALE



PIERS 1 AND 2 - PARTIAL ELEVATION
SCALE 3/8" = 1'-0"

ELEVATION TABLE		
LOCATION	PIER 1	PIER 2
A	628.17	627.87
B	628.31	628.09
C	628.44	628.30
D	628.34	628.29
E	628.13	628.17
EXISTING PEDESTAL ELEVATIONS VARY	626.9± TO 627.4±	626.8± TO 627.3±

- NOTES:
- FOR A PERIOD OF AT LEAST ONE HOUR BEFORE THE PLACEMENT OF PEDESTAL CONCRETE MATERIALS, THE PREPARED SURFACE SHALL BE FLOODED WITH WATER. AFTER REMOVAL OF THE FREE WATER, THE PEDESTAL CONCRETE MATERIAL SHALL BE DEPOSITED ON THE DAMP SURFACE.
 - DIAMETER OF DRILLED HOLE SHALL BE DETERMINED BY THE CONTRACTOR AND APPROVED BY THE ENGINEER.

LEGEND:

- REMOVAL
- REMOVE AND REPLACE

REMOVE AND REPLACE DETERIORATED CONCRETE, SEE "CONCRETE SUBSTRUCTURE REPAIR DETAILS" SHEET

PROJECT NAME: BENNINGTON
PROJECT NUMBER: BRF 1000(16)
FILE NAME: z88j087bdr_Pier1.dgn
PROJECT LEADER: R. HEBERT
DESIGNED BY: D. MYERS
PIER MODIFICATION

PLOT DATE: 8/8/2014
DRAWN BY: D. AXTELL
CHECKED BY: R. HEBERT
SHEET 51 OF 75