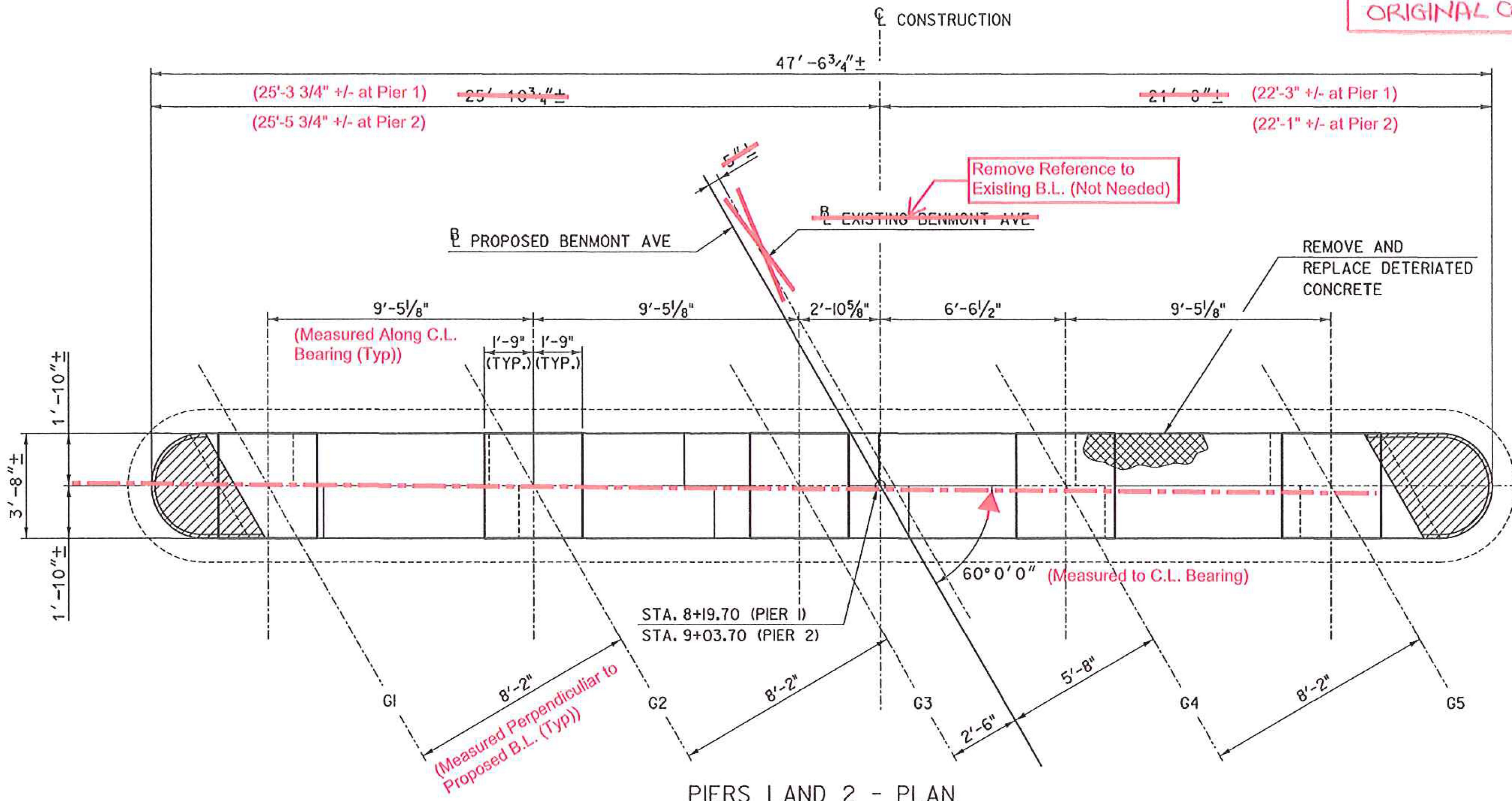
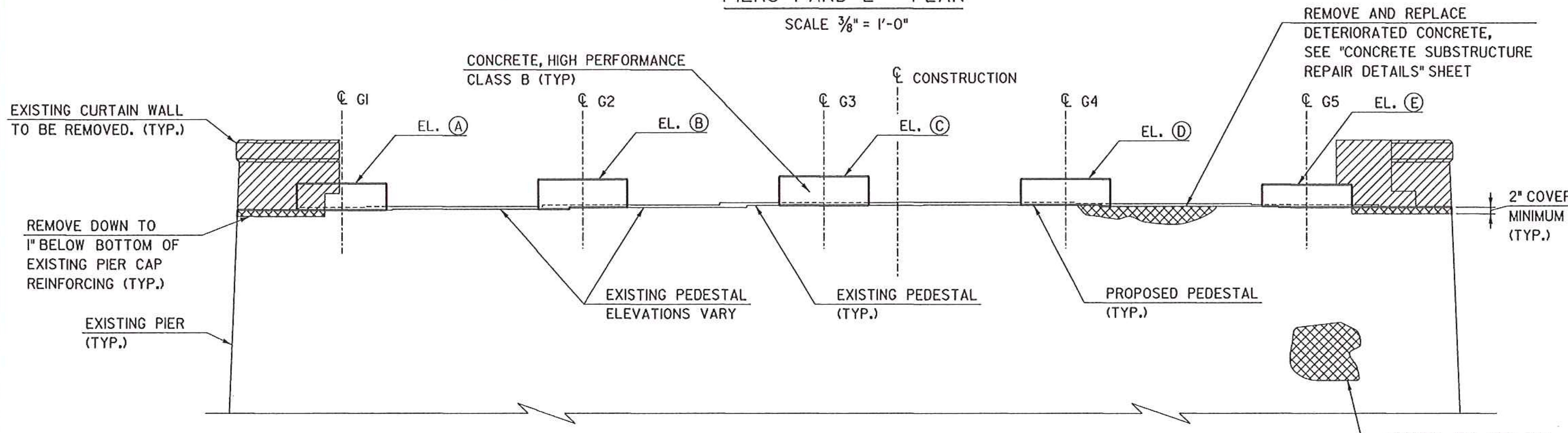
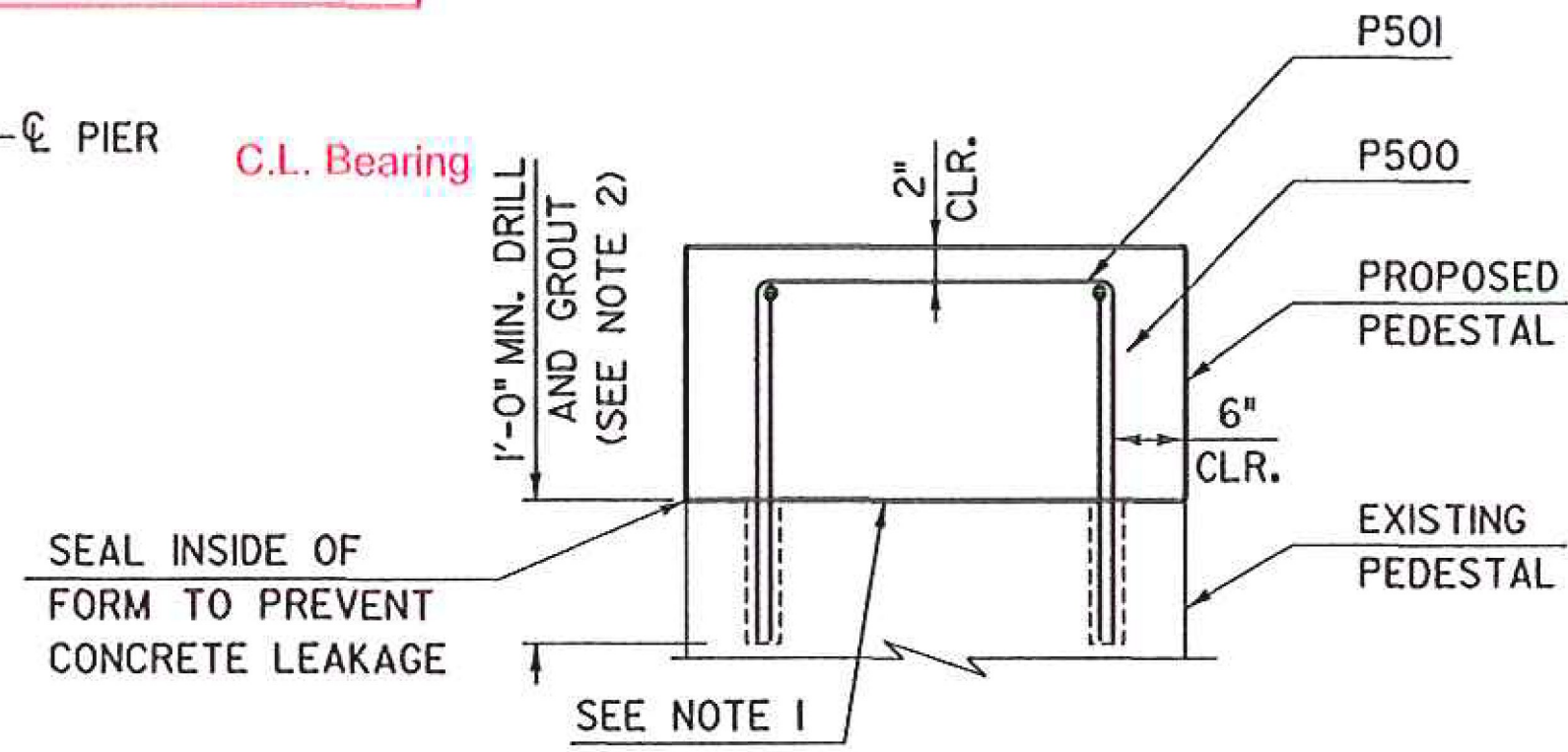
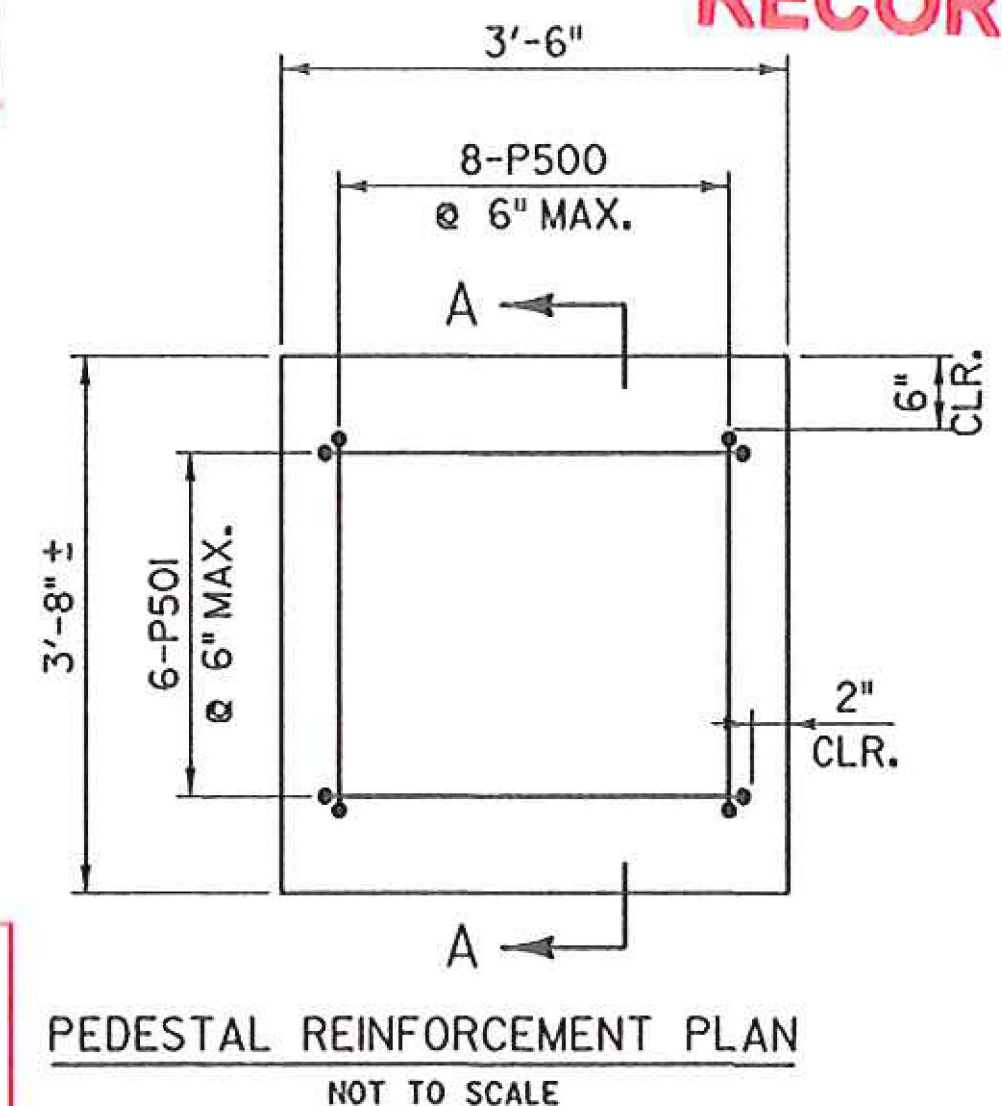


THIS SHEET REPLACES ORIGINAL CONTRACT SHEET 51

RECORD PLANS

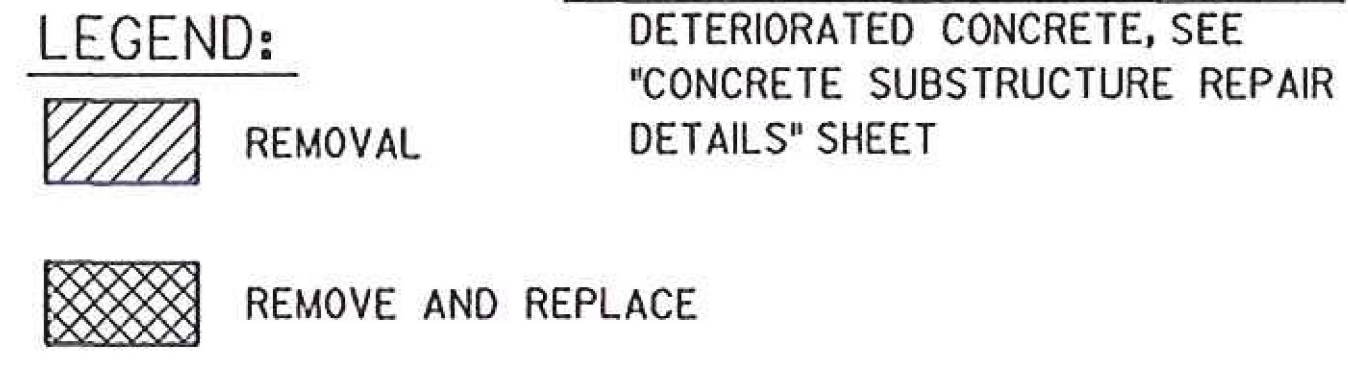


Note: C.L. Bearing and C.L. Existing Pier are Not Aligned (Small Difference)



ELEVATION TABLE		
LOCATION	PIER 1	PIER 2
A	628.17	627.87
B	628.31	628.09
C	628.44	628.30
D	628.34	628.29
E	628.13	628.17
EXISTING PEDESTAL ELEVATIONS VARY	626.9± TO 627.4±	626.8± TO 627.3±

- NOTES:
- FOR A PERIOD OF AT LEAST ONE HOUR BEFORE THE PLACEMENT OF PEDESTAL CONCRETE MATERIALS, THE PREPARED SURFACE SHALL BE FLOODED WITH WATER. AFTER REMOVAL OF THE FREE WATER, THE PEDESTAL CONCRETE MATERIAL SHALL BE DEPOSITED ON THE DAMP SURFACE.
 - DIAMETER OF DRILLED HOLE SHALL BE DETERMINED BY THE CONTRACTOR AND APPROVED BY THE ENGINEER.



PROJECT NAME: BENNINGTON
PROJECT NUMBER: BRF 1000(16)

FILE NAME: z88J087bdr_Pier1.dgn
PROJECT LEADER: R. HEBERT
DESIGNED BY: D. MYERS
PIER MODIFICATION

PLOT DATE: 8/27/2014
DRAWN BY: D. AXTELL
CHECKED BY: R. HEBERT
SHEET 51A OF 75