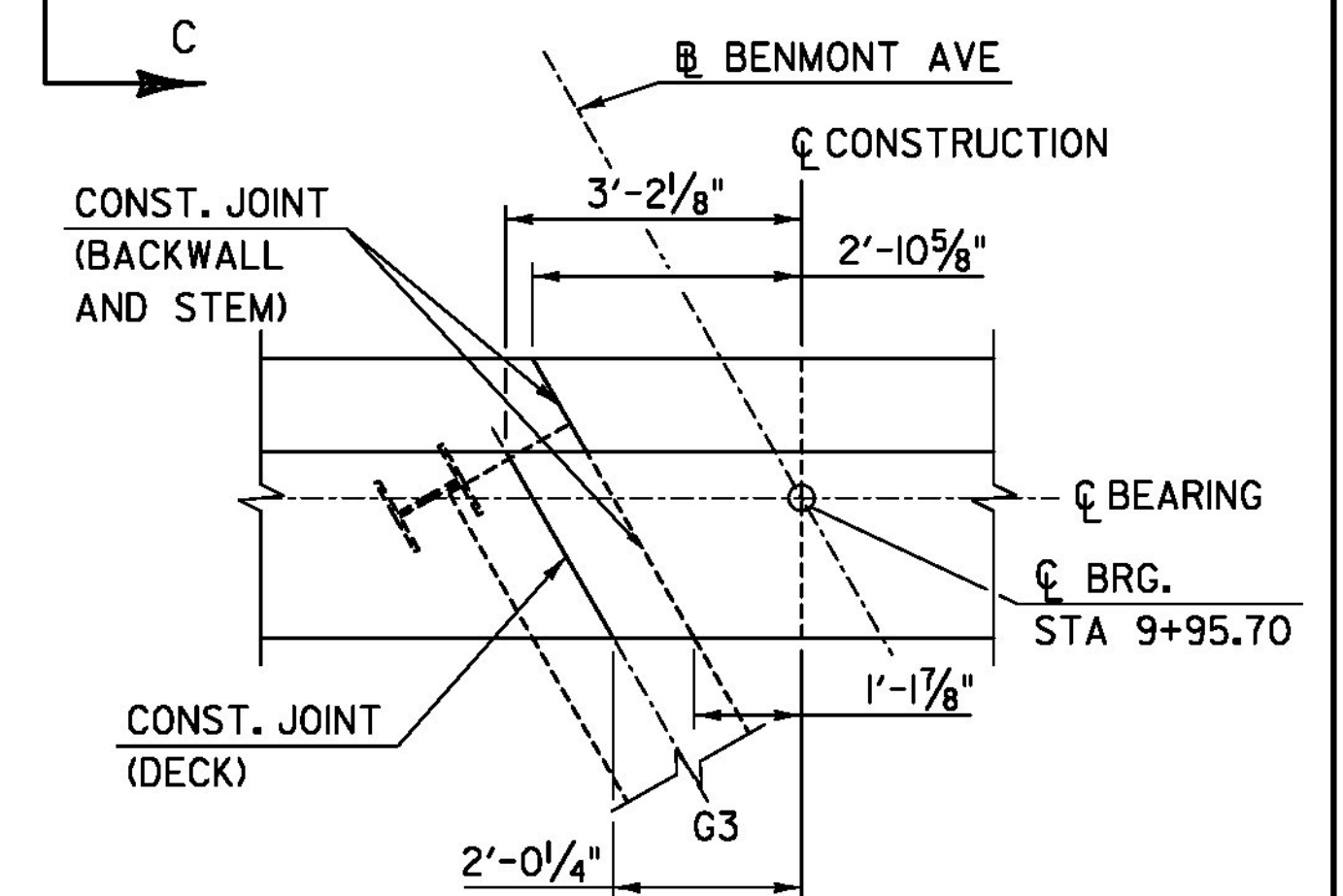
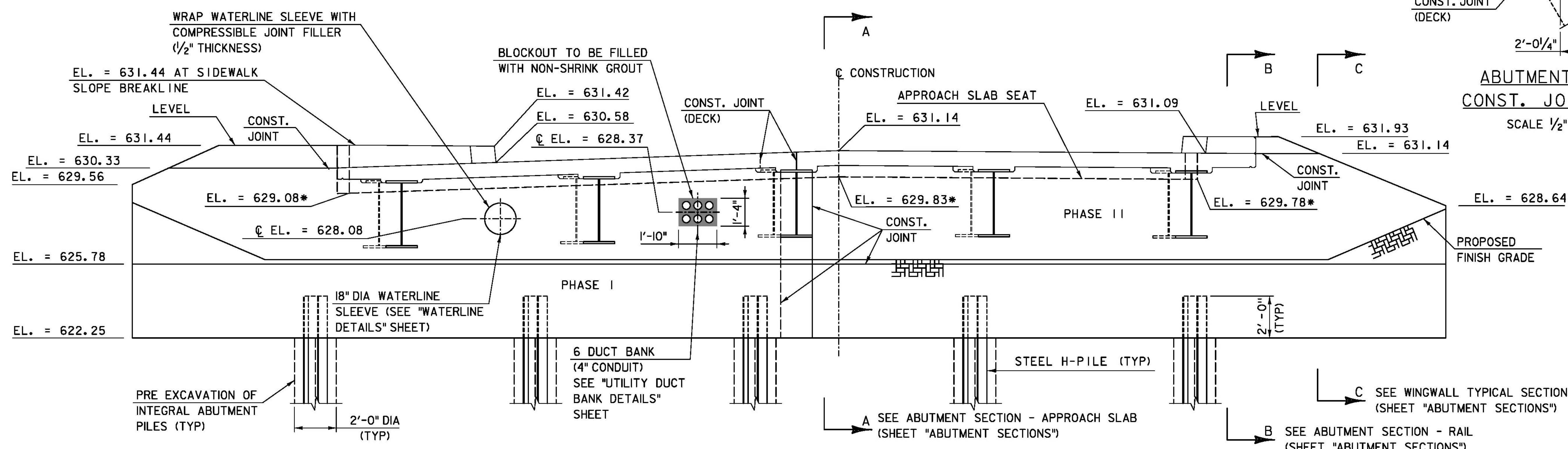


ABUTMENT NO. 2 PLAN
SCALE 3/8" = 1'-0"



ABUTMENT NO. 2
CONST. JOINT PLAN
SCALE 1/2" = 1'-0"



ABUTMENT NO. 2 ELEVATION
SCALE 3/8" = 1'-0"

NOTES: ELEVATIONS AT FRONT FACE OF ABUTMENT UNLESS OTHERWISE NOTED.
• ELEVATIONS AT CORNER OF APPROACH SLAB SEAT

PROJECT NAME:	BENNINGTON	PLOT DATE:	8/8/2014
PROJECT NUMBER:	BRF 1000(16)	DRAWN BY:	J.TATE
FILE NAME:	z88j087bdr_abut2.dgn	CHECKED BY:	R. HEBERT
PROJECT LEADER:	R. HEBERT	DESIGNED BY:	D. MYERS
ABUTMENT NO. 2 - PLAN & ELEVATION			SHEET 48 OF 75