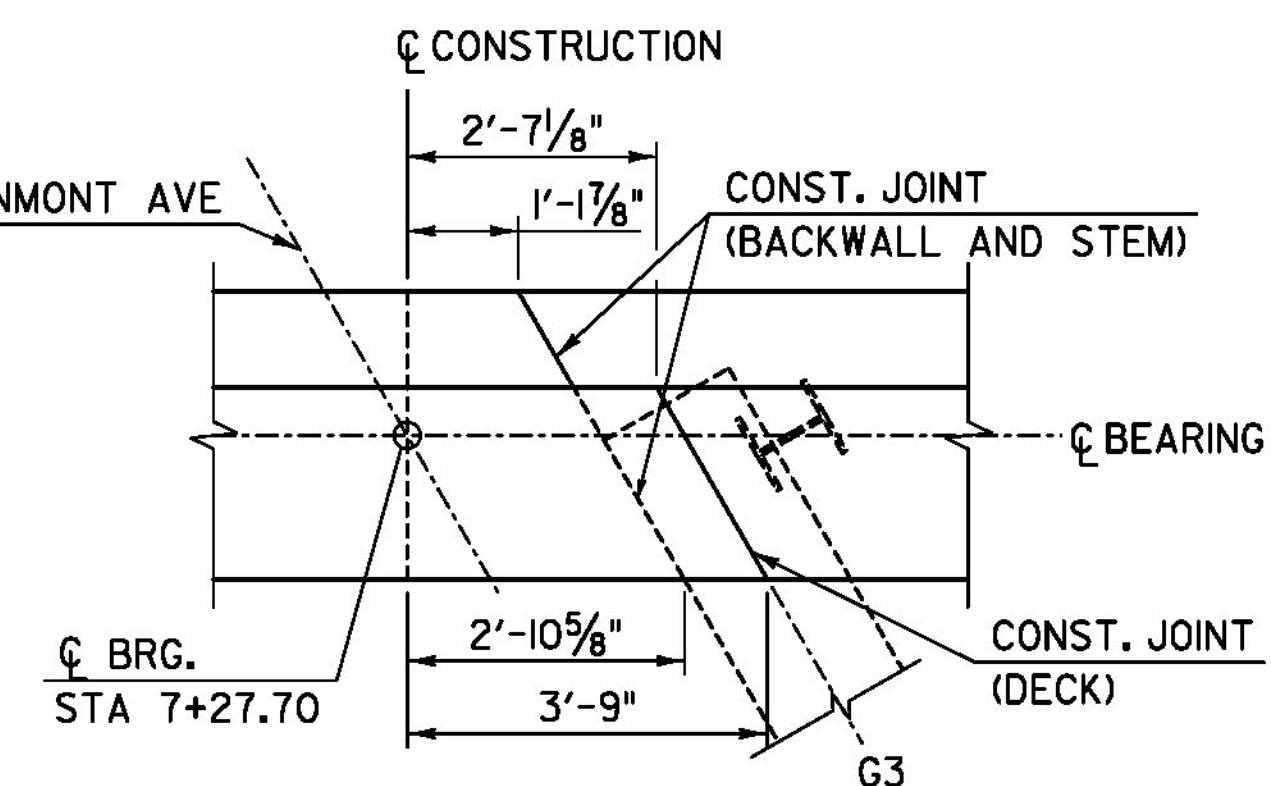
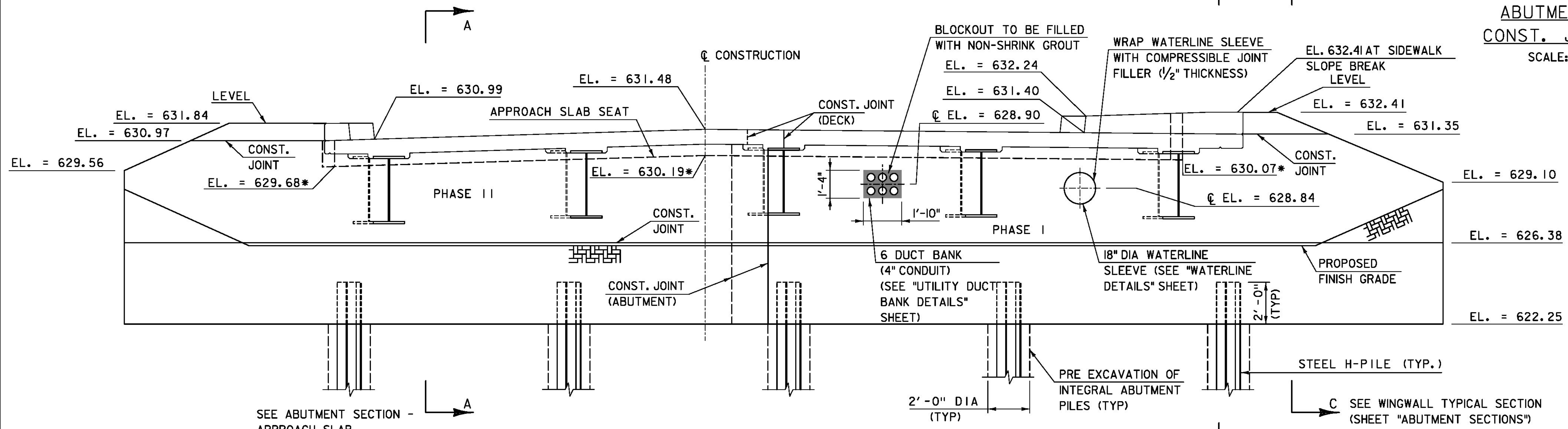


**ABUTMENT NO. 1 PLAN**  
SCALE 3/8" = 1'-0"



**ABUTMENT NO. 1  
CONST. JOINT PLAN**  
SCALE: 1/2" = 1'-0"



**ABUTMENT NO. 1 ELEVATION**  
SCALE 3/8" = 1'-0"

NOTE: ELEVATIONS AT FRONT FACE OF ABUTMENT UNLESS OTHERWISE NOTED.  
\* ELEVATIONS AT CORNER OF APPROACH SLAB SEAT.

PROJECT NAME:	BENNINGTON	PLOT DATE:	8/8/2014
PROJECT NUMBER:	BRF 1000(16)	DRAWN BY:	J. TATE
FILE NAME:	z88j087bdr_abut1.dgn	CHECKED BY:	R. HEBERT
DESIGNED BY:	D. MYERS	ABUTMENT NO. 1 - PLAN & ELEVATION	SHEET 46 OF 75