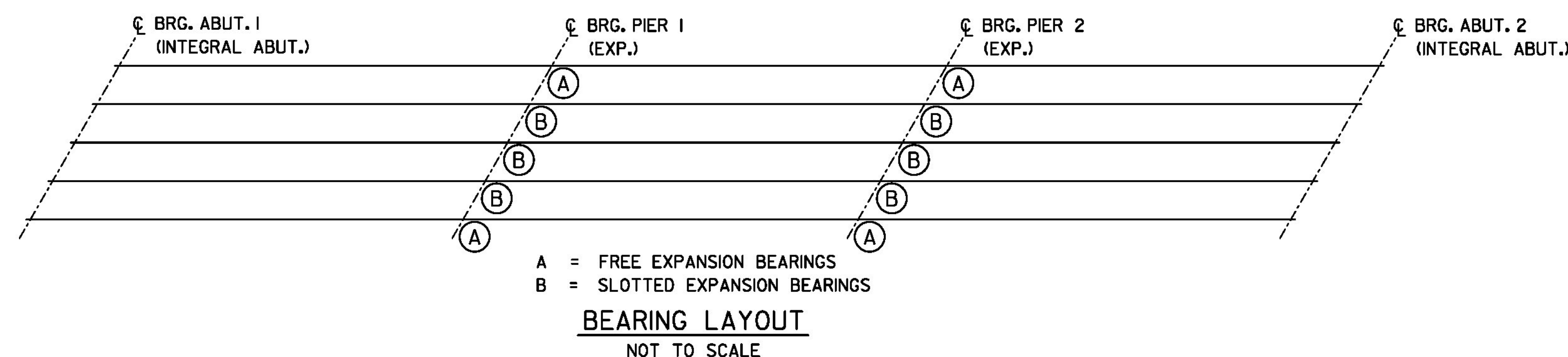
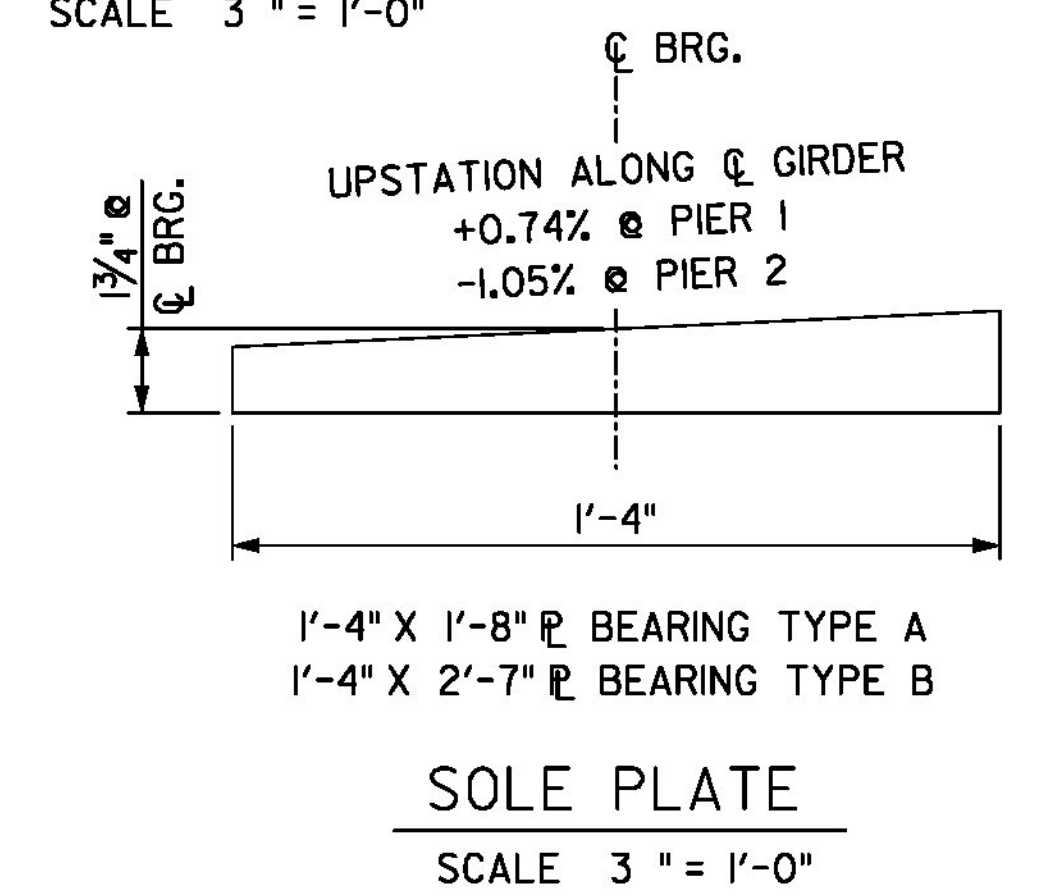
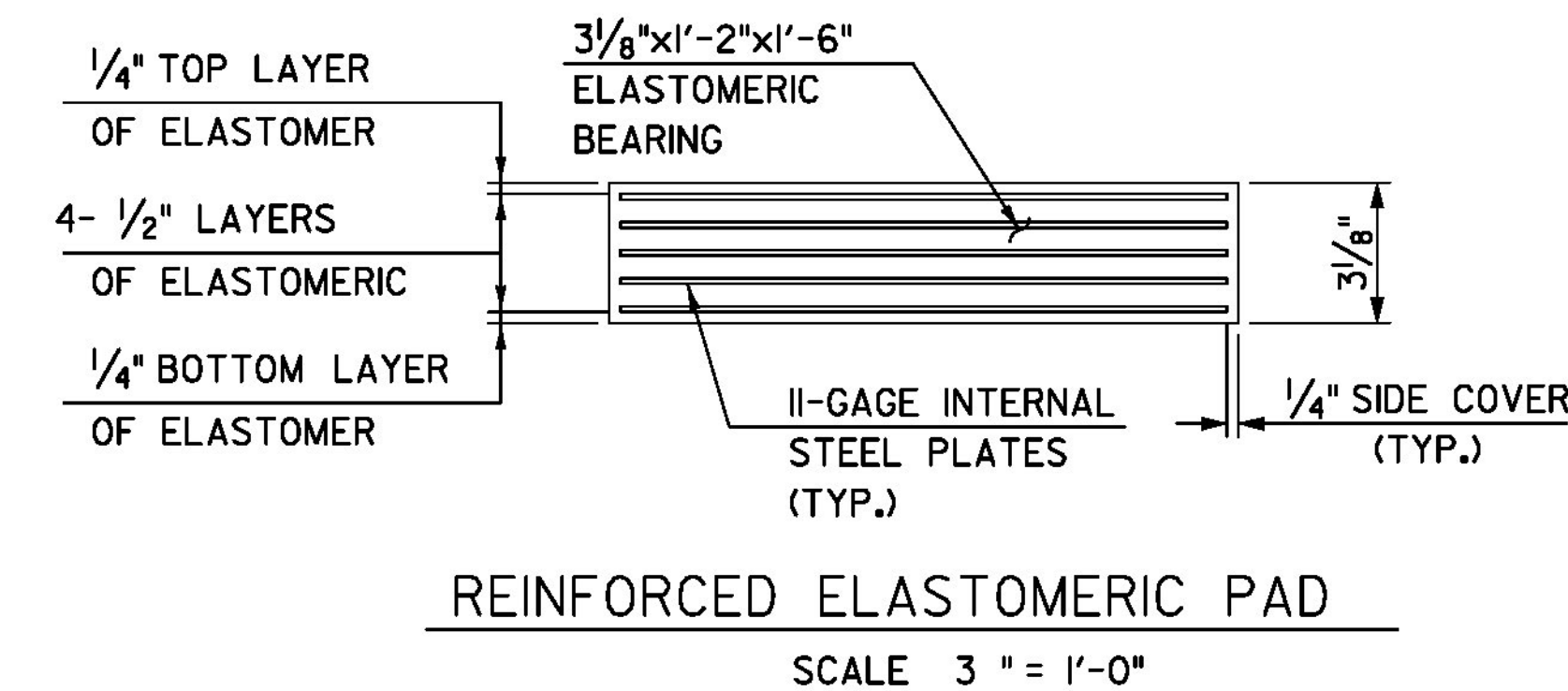
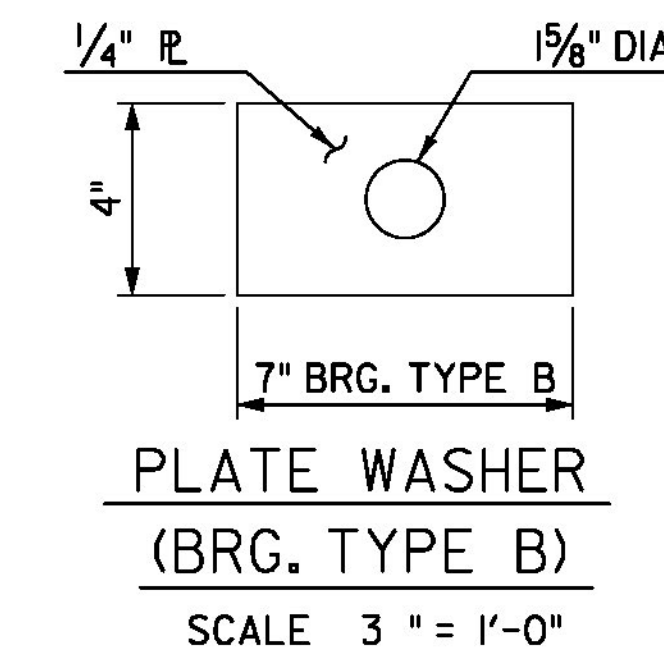
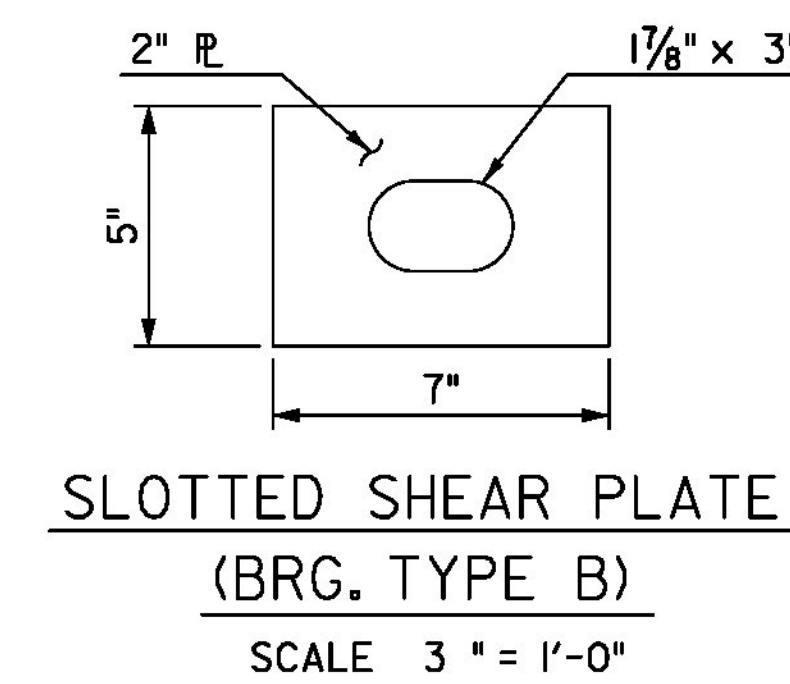
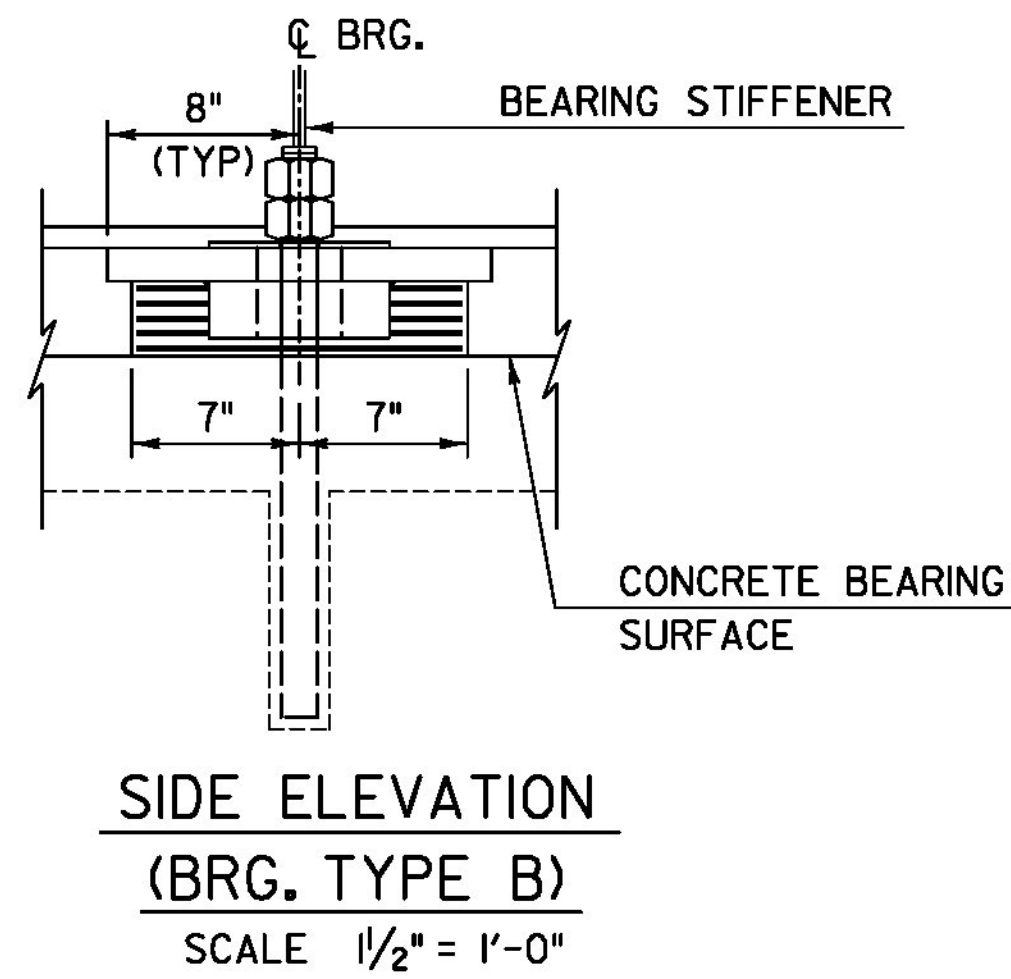
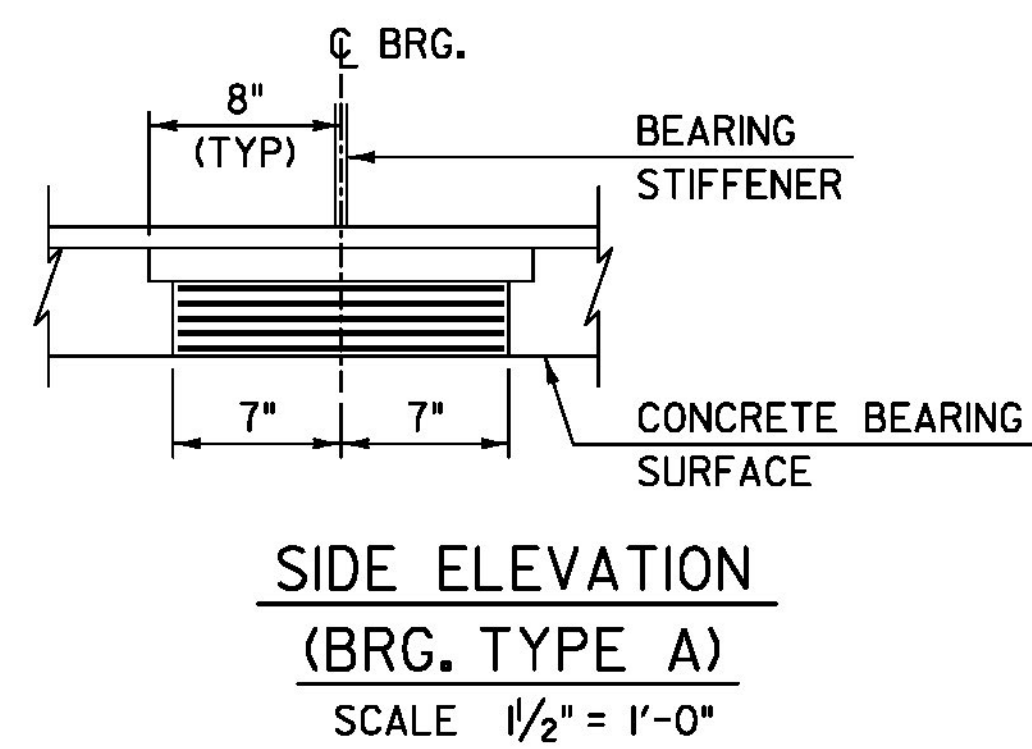


NOTE: THREADED ANCHOR BOLT SHALL BE GRADE 50 OR HIGHER AND MUST BE A449, F1554 OR F568M, CLASS 3.8, THREADED 8", EMBEDDED 1'-3" MIN.



NOTE: ALL STEEL COMPONENTS OF BEARING DEVICE ASSEMBLY, EXCEPT INTERNAL STEEL PLATES, SHALL BE GALVANIZED.

PROJECT NAME:	BENNINGTON	FILE NAME:	z88j087bdr_brgdets.dgn	PLOT DATE:	8/8/2014
PROJECT NUMBER:	BRF 1000(16)	PROJECT LEADER:	R. HEBERT	DRAWN BY:	S. MORGAN
		DESIGNED BY:	D. MYERS	CHECKED BY:	R. HEBERT
		BEARING DEVICE DETAILS			SHEET 43 OF 75