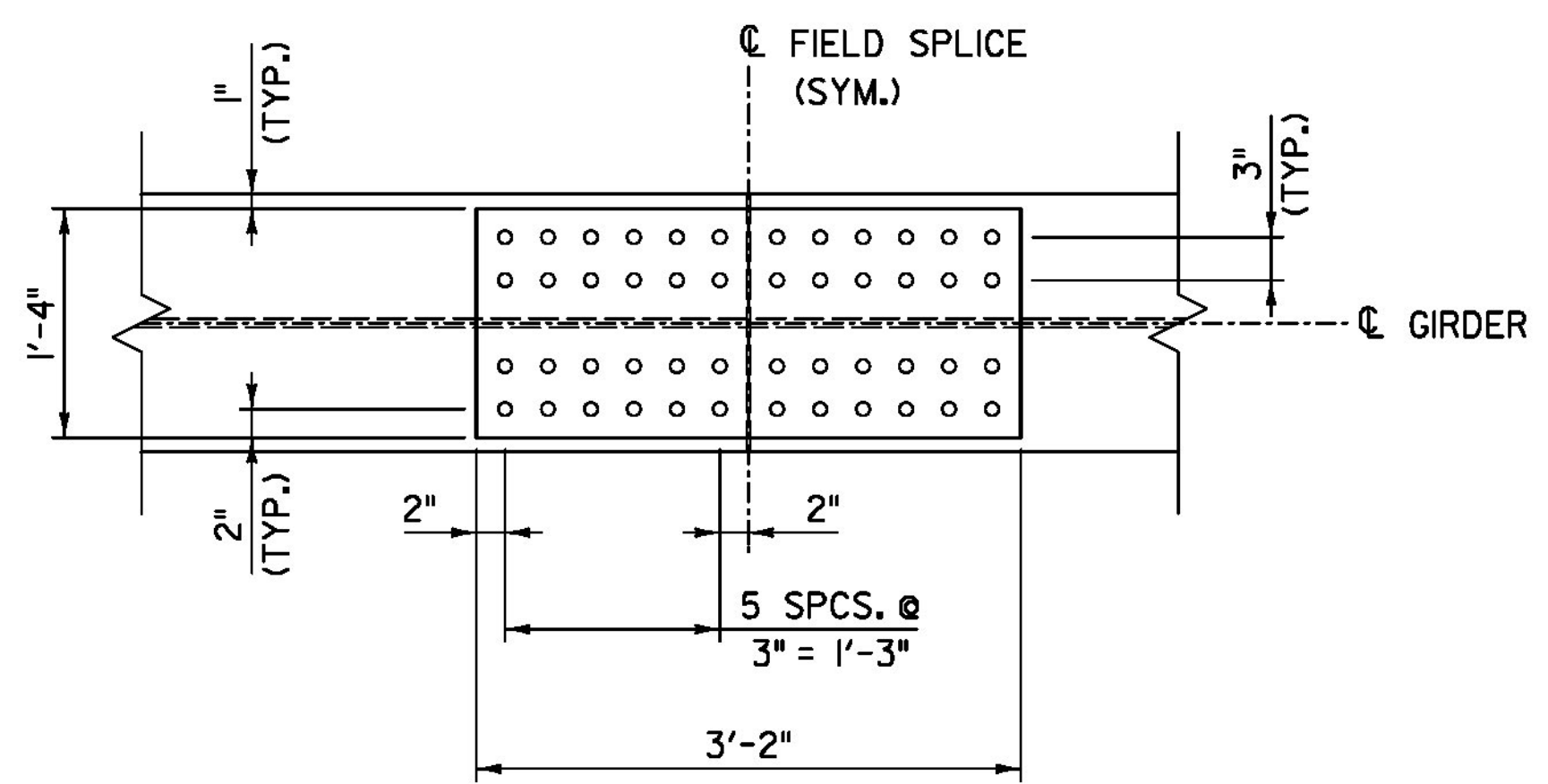
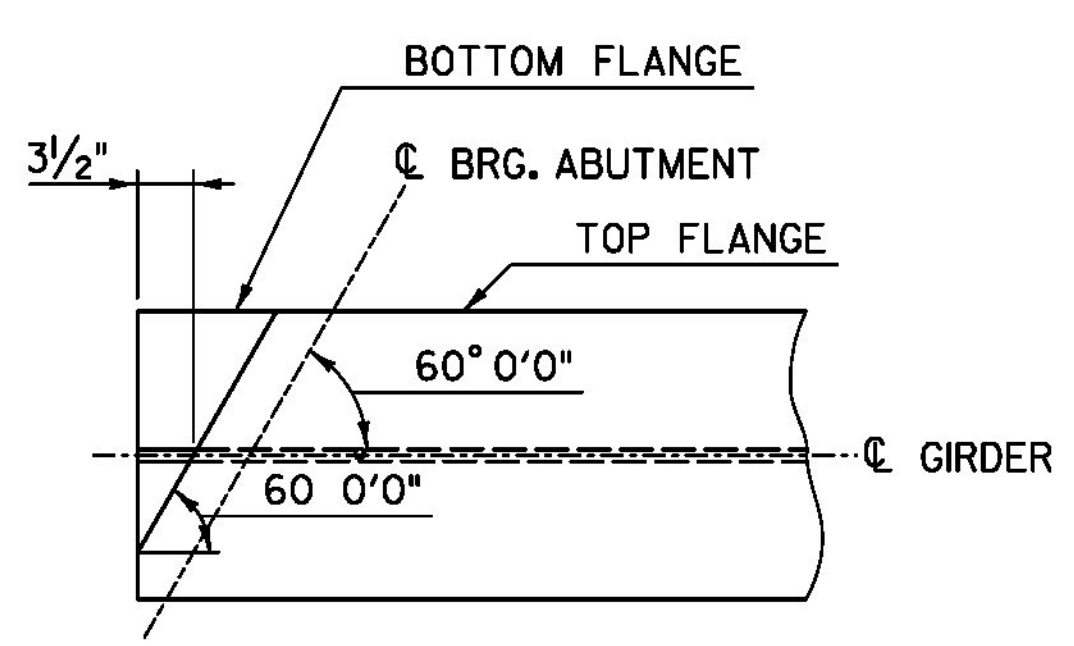


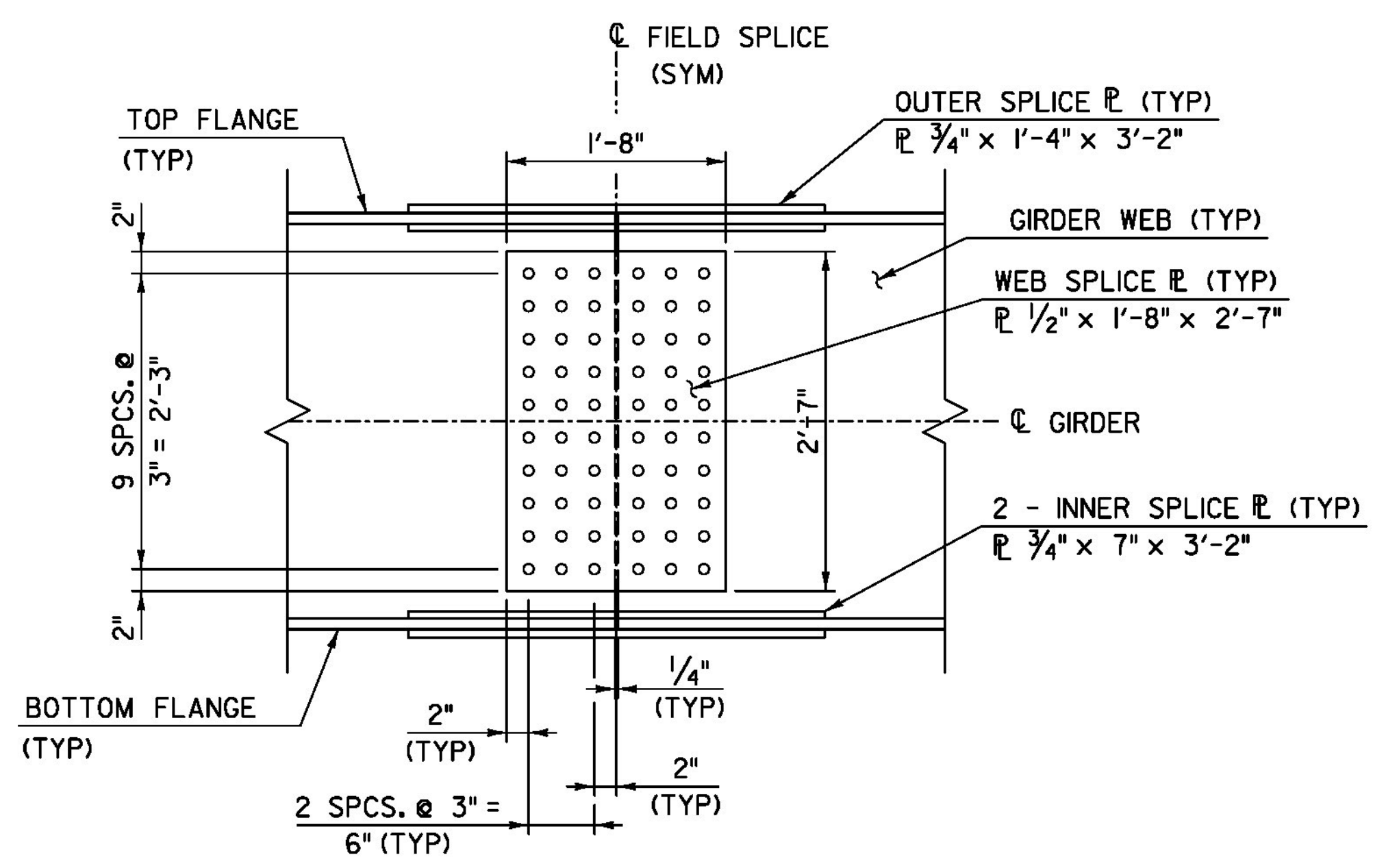
BEARING STIFFENER PLAN AT PIER
SCALE 1" = 1'-0"



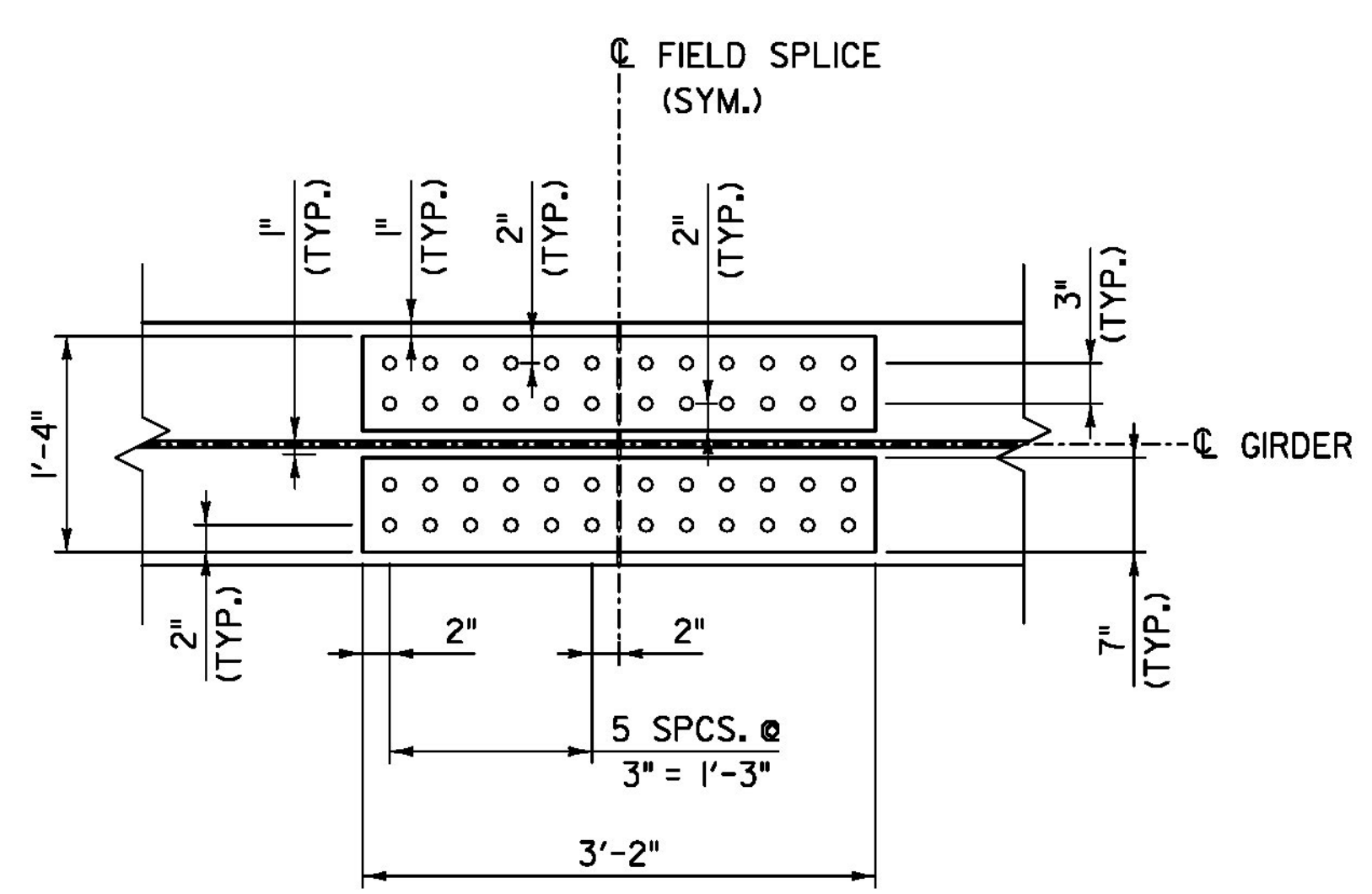
OUTER FLANGE SPLICE PLAN
SCALE 1" = 1'-0"



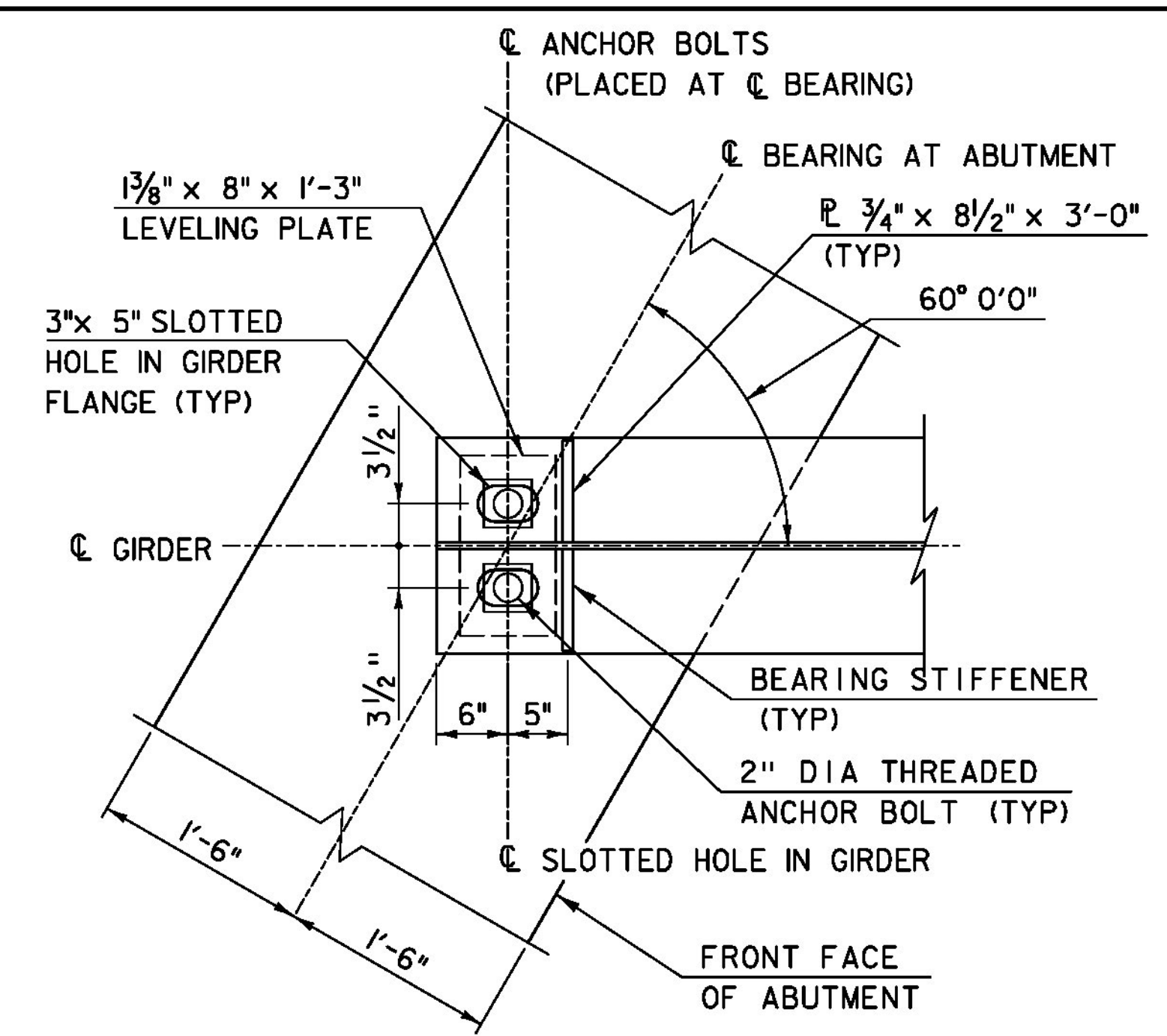
TOP FLANGE CLIP PLAN AT ABUTMENTS
SCALE 1" = 1'-0"



WEB SPLICE ELEVATION
SCALE 1" = 1'-0"

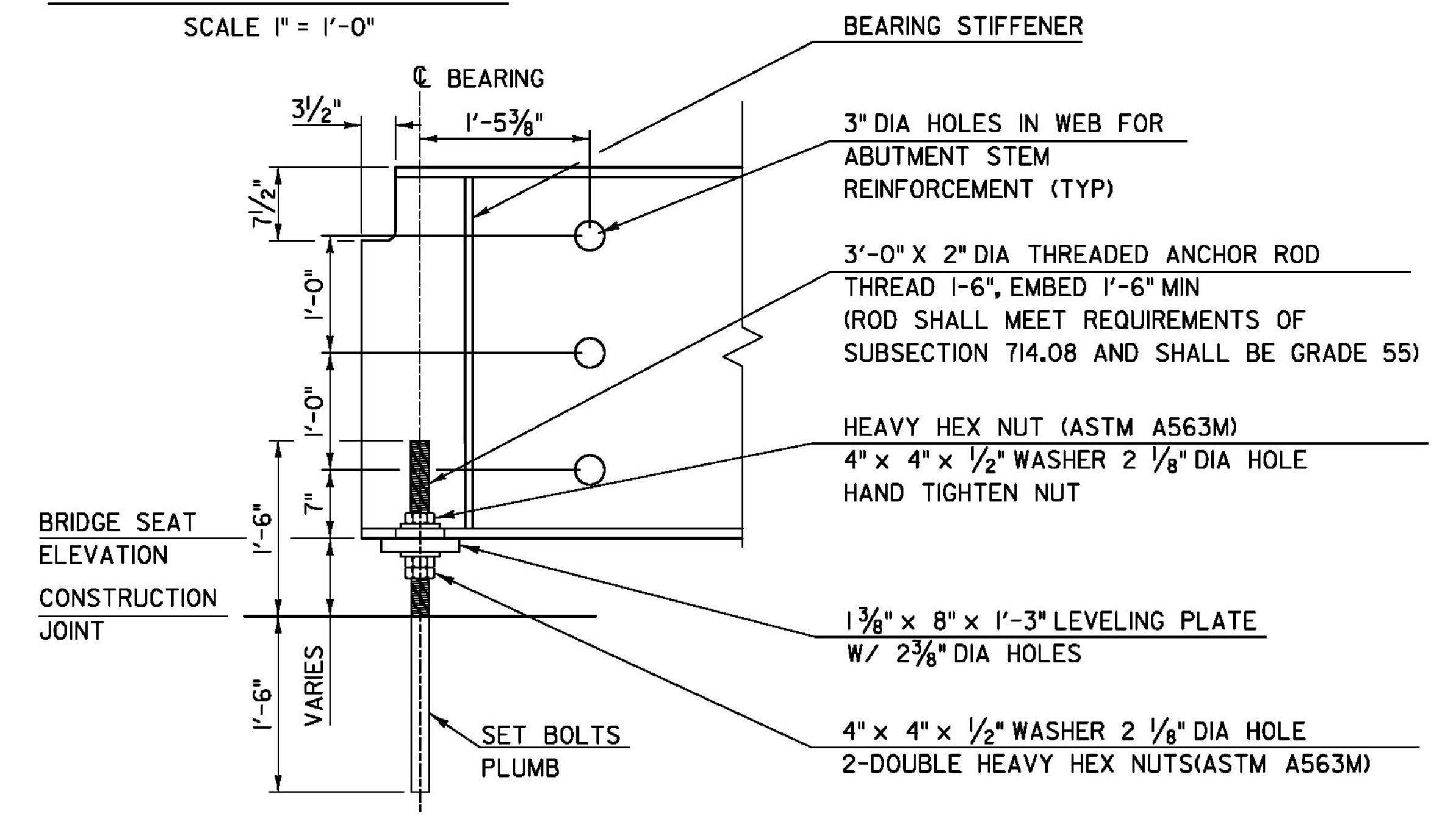


INNER FLANGE SPLICE PLAN
SCALE 1" = 1'-0"

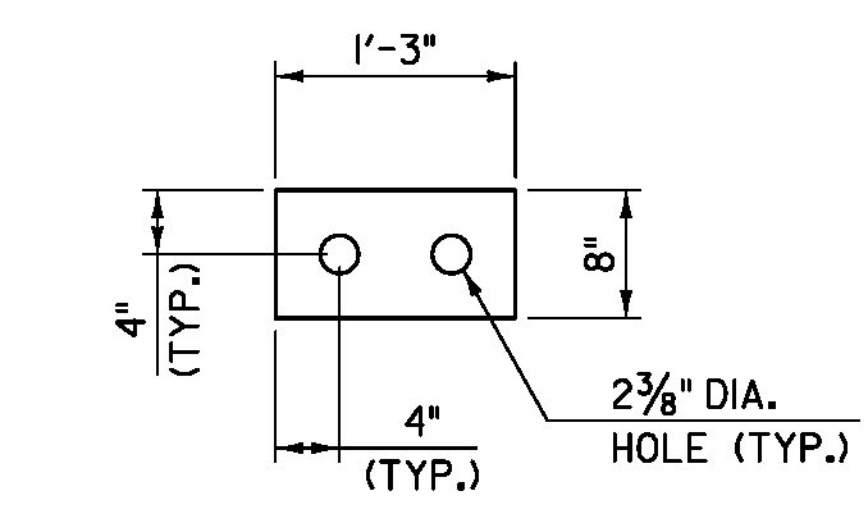


PLAN OF END OF GIRDER
SCALE 1" = 1'-0"

BRIDGE SEAT ELEVATION		
GIRDER	ABUTMENT 1	ABUTMENT 2
G1	627.21	626.26
G2	627.25	626.57
G3	627.30	626.87
G4	627.12	626.95
G5	626.85	626.92



ELEVATION VIEW END OF GIRDER AT ABUTMENT
SCALE 1" = 1'-0"



LEVELING PLATE DETAIL
SCALE 1" = 1'-0"

ABUTMENT BEARING ASSEMBLY NOTES:

1. ALL COMPONENTS OF ABUTMENT BEARING ASSEMBLY, INCLUDING ANCHOR BOLTS, NUTS, WASHERS, AND LEVELING PLATES, SHALL BE PAID FOR UNDER ITEM 506.55 "STRUCTURAL STEEL, PLATE GIRDER".
2. COMPONENTS DO NOT HAVE TO BE GALVANIZED OR METALIZED.
3. SEE SUBSECTION 531.05(a) FOR INSTALLATION OF ANCHOR BOLTS.

PROJECT NAME:	BENNINGTON	FILE NAME:	z88J087bdr_ssdets.dgn	PLOT DATE:	8/7/2014
PROJECT NUMBER:	BRF 1000(16)	PROJECT LEADER:	R. HEBERT	DRAWN BY:	S. MORGAN
		DESIGNED BY:	D. MYERS	CHECKED BY:	R. HEBERT
		GIRDER DETAILS			SHEET 41 OF 75