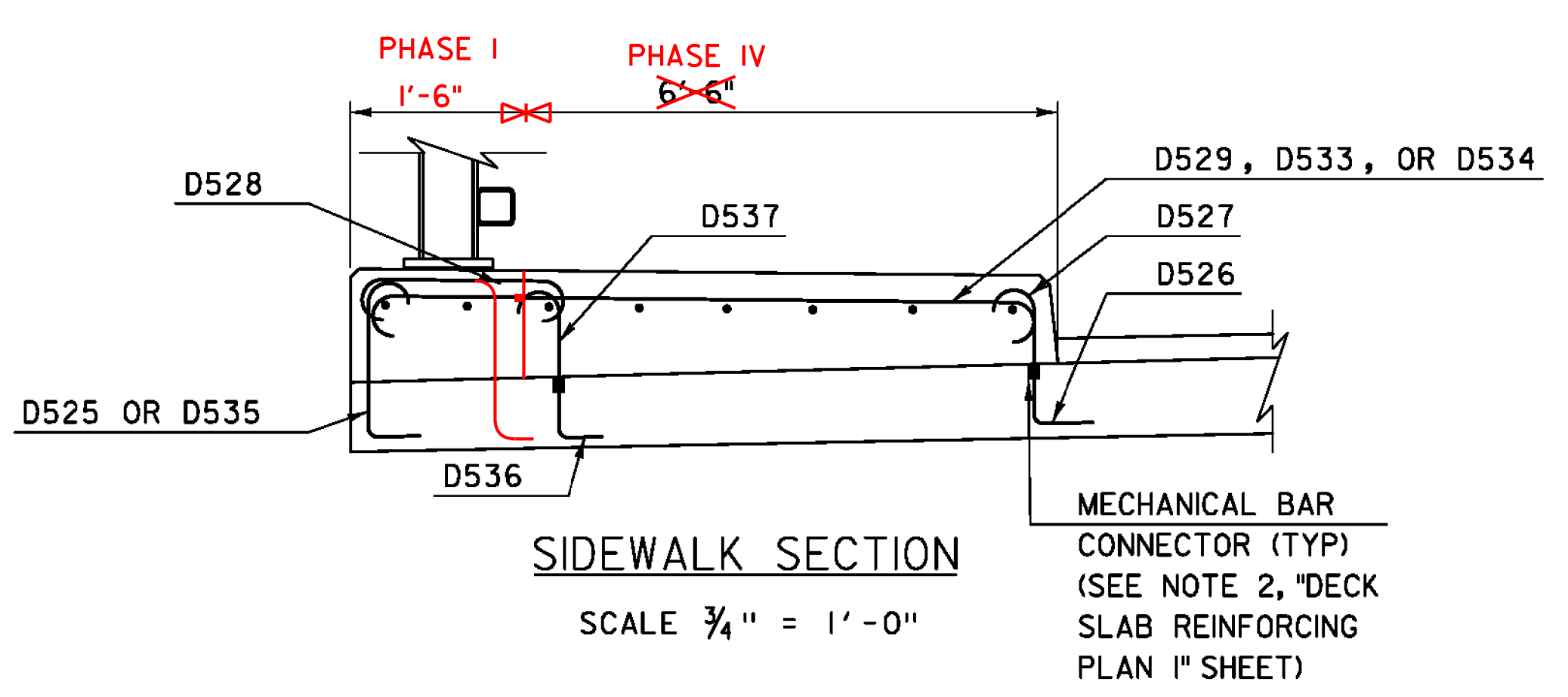
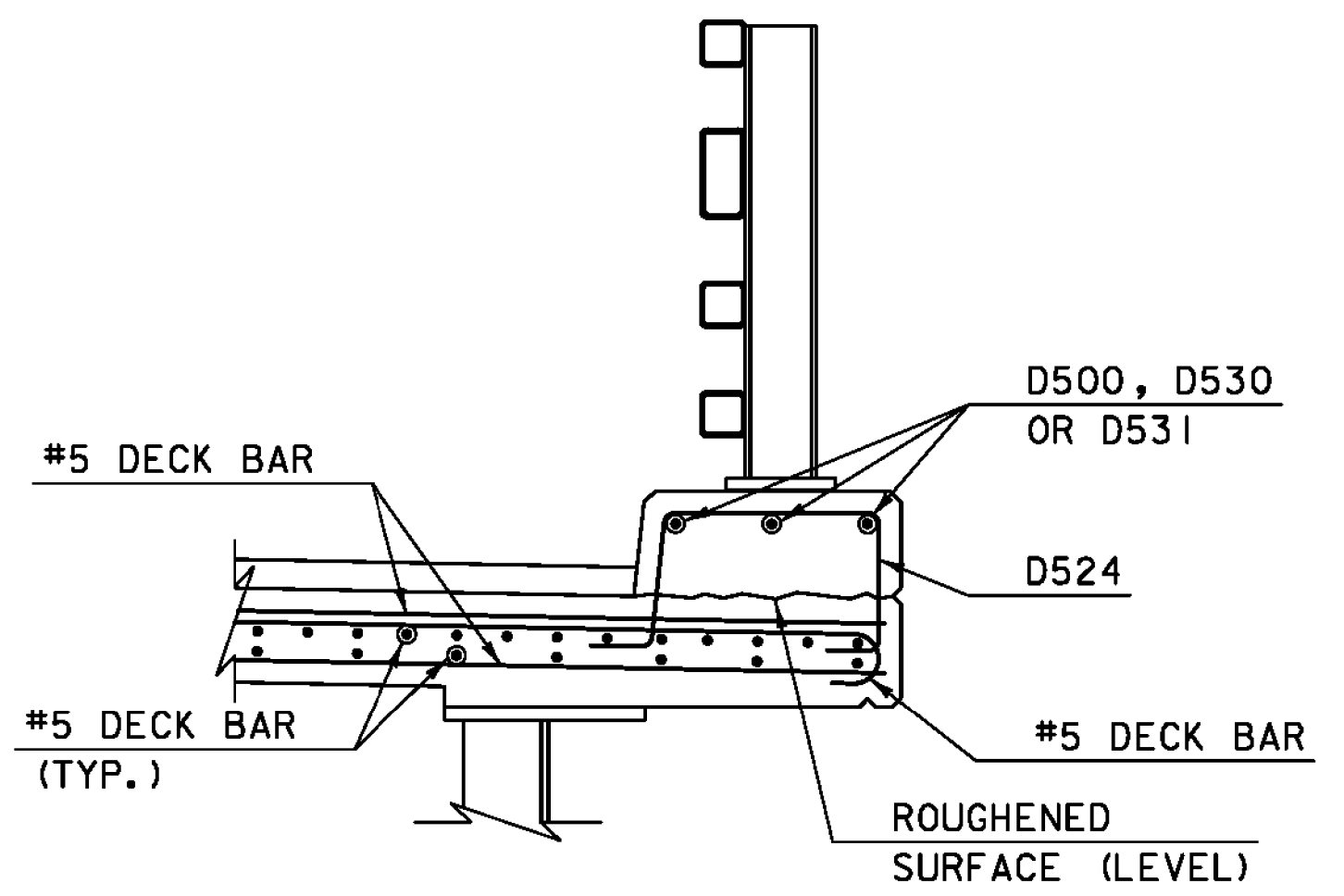


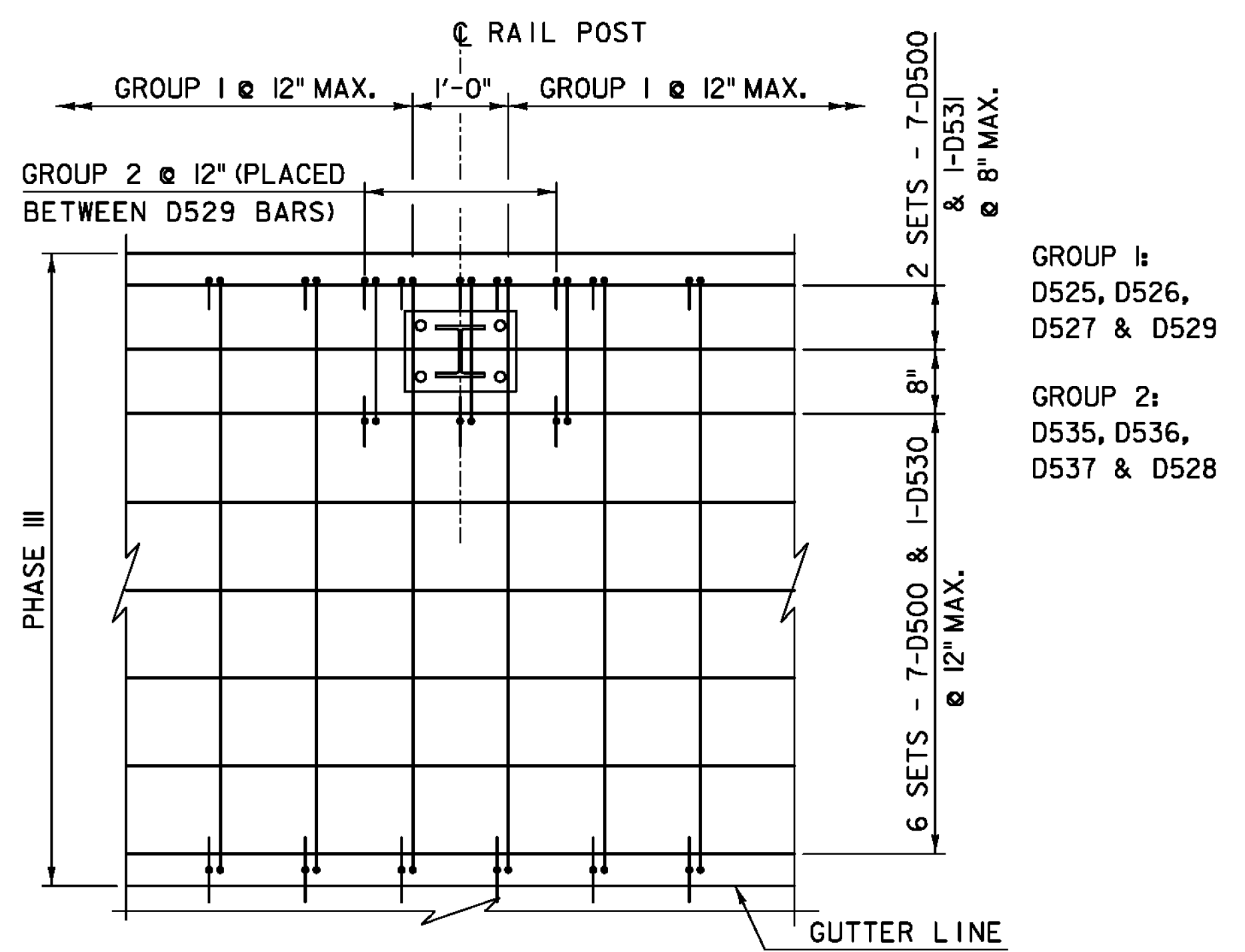
SIDEWALK END DETAIL ABUTMENT 1
DECK AND ABUTMENT BARS NOT SHOWN FOR CLARITY
SCALE 3/4" = 1'-0"



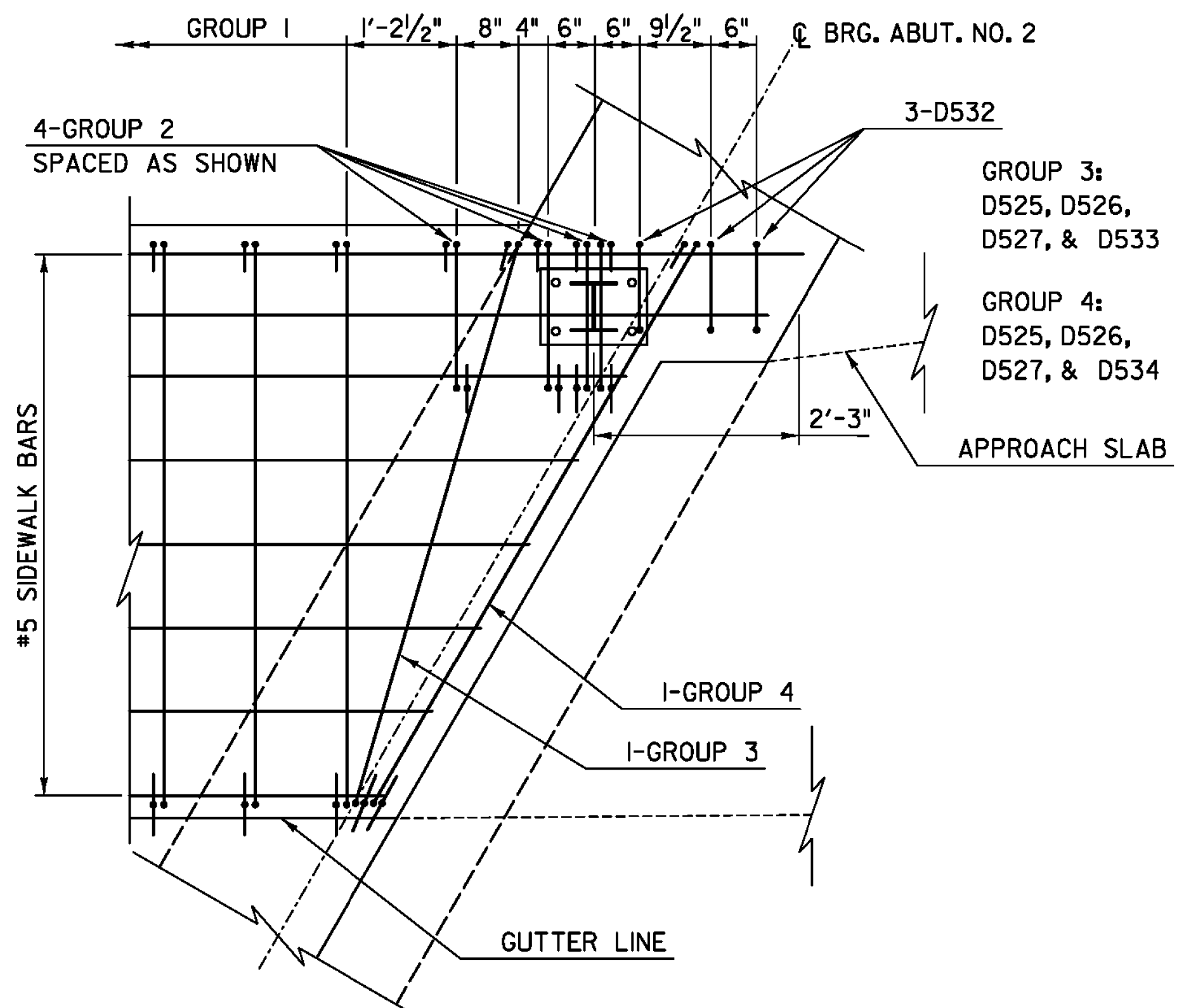
SIDEWALK SECTION
SCALE 3/4" = 1'-0"



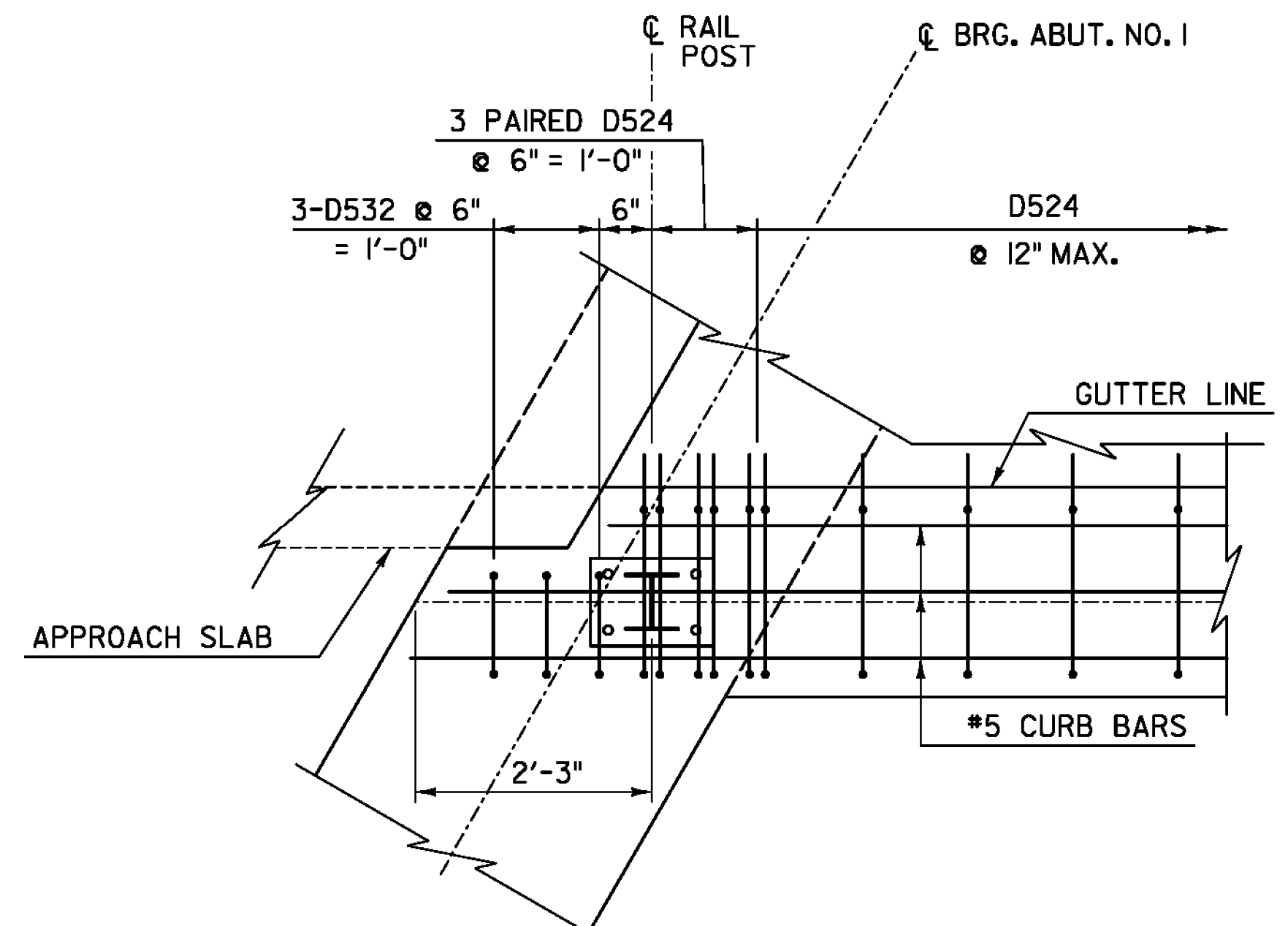
CURB SECTION
SCALE 3/4" = 1'-0"



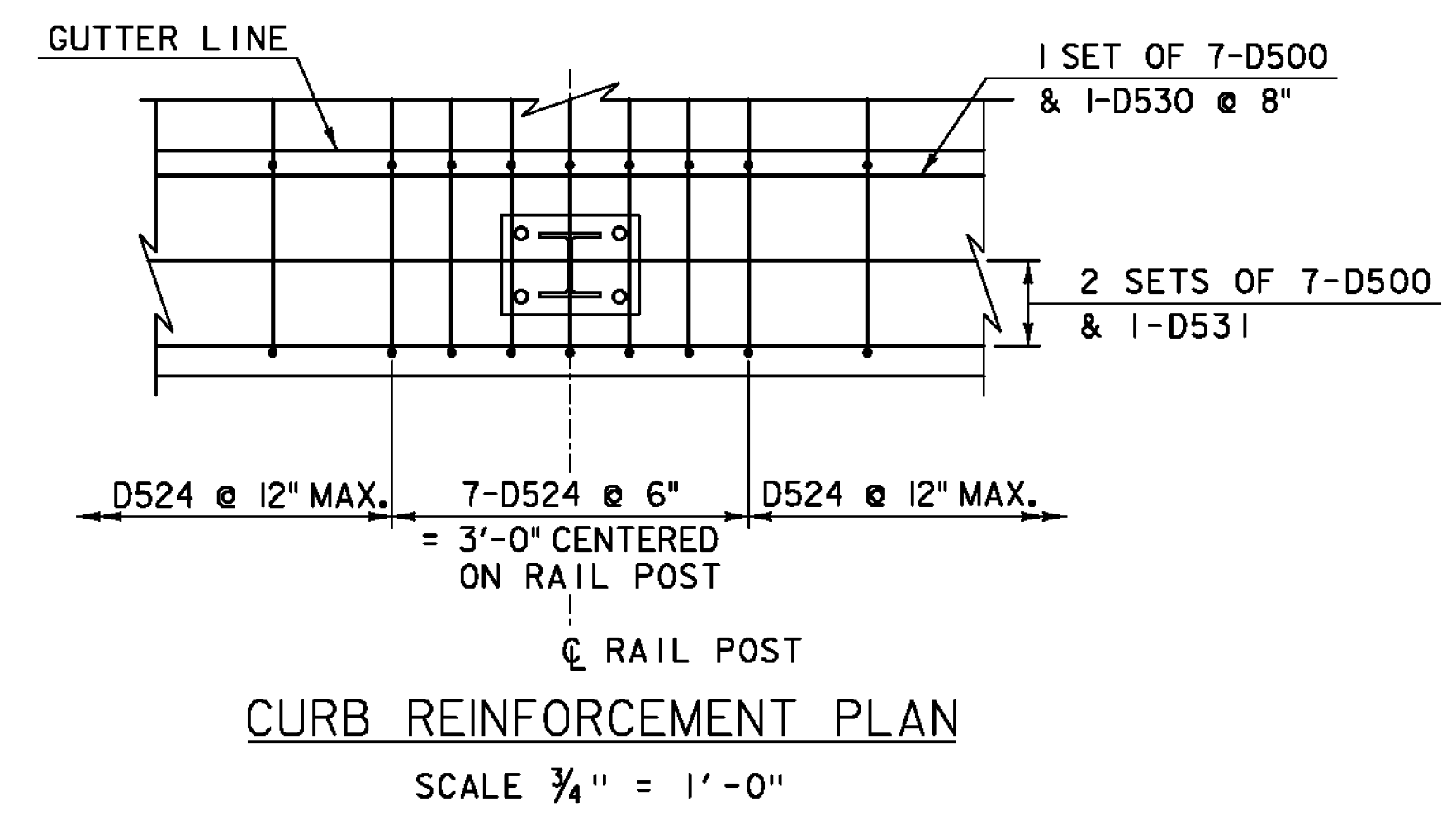
SIDEWALK REINFORCEMENT PLAN
SCALE 3/4" = 1'-0"



SIDEWALK END DETAIL ABUTMENT 2
DECK AND ABUTMENT BARS NOT SHOWN FOR CLARITY
SCALE 3/4" = 1'-0"



CURB END DETAIL
DECK AND ABUTMENT BARS NOT SHOWN FOR CLARITY
DETAIL AT ABUTMENT NO. 1 SHOWN, DETAIL AT ABUTMENT NO. 2 SIMILAR
SCALE 3/4" = 1'-0"



CURB REINFORCEMENT PLAN
SCALE 3/4" = 1'-0"

PROJECT NAME:	BENNINGTON	FILE NAME:	z88j087bdr_deckdets.dgn	PLOT DATE:	8/7/2014
PROJECT NUMBER:	BRF 1000(16)	PROJECT LEADER:	R. HEBERT	DRAWN BY:	J. TATE
		DESIGNED BY:	D. MYERS	CHECKED BY:	R. HEBERT
		DECK SLAB REINFORCING DETAILS		SHEET	38 OF 75