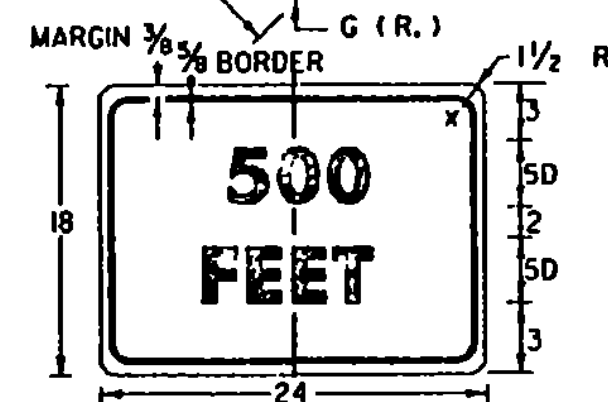
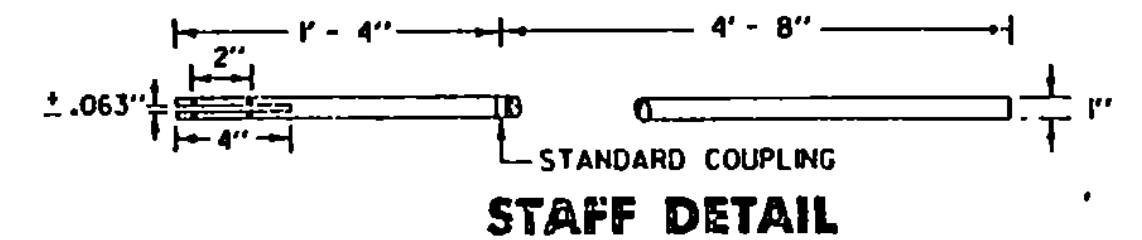
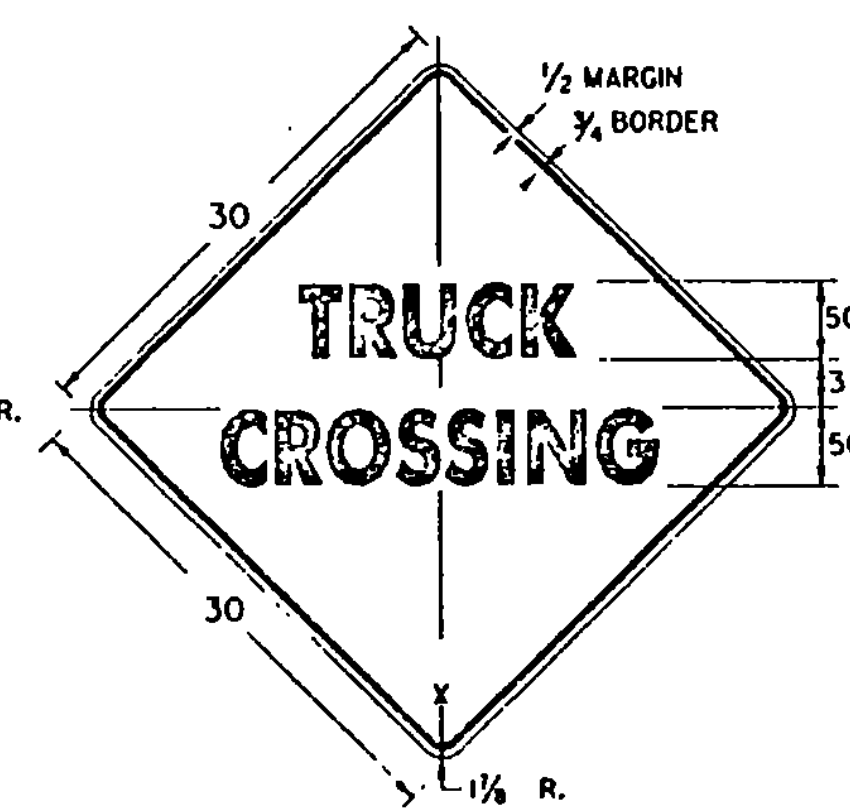
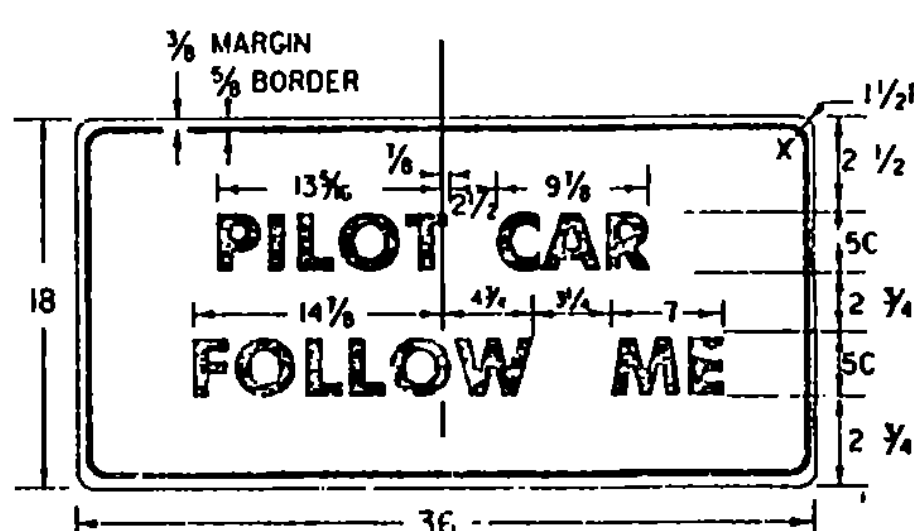


SIGN	DIMENSIONS (INCHES)										
	A	B	C	D	E	F	G	H	J	K	L
STD.	30	1 1/2	1/4	5 1/2	3	1/4	5 3/4	5 3/4	13 3/4	13 3/4	1 1/4
FWY.	48	1 1/4	1/4	8	5	1/4	8 1/4	8 1/4	21	20 1/4	3



SIGN	DIMENSIONS (INCHES)						
	A	B	C	D	E	F	G
STD.	36	3/4	1/4	2 1/4	13 1/2	14 3/4	2 1/4
FWY.	48	3/4	1/4	3 3/4	18	19 1/2	3



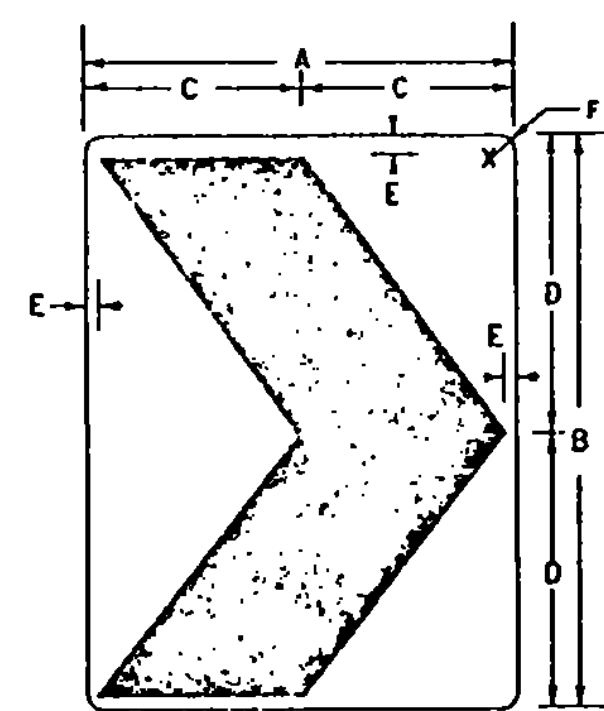
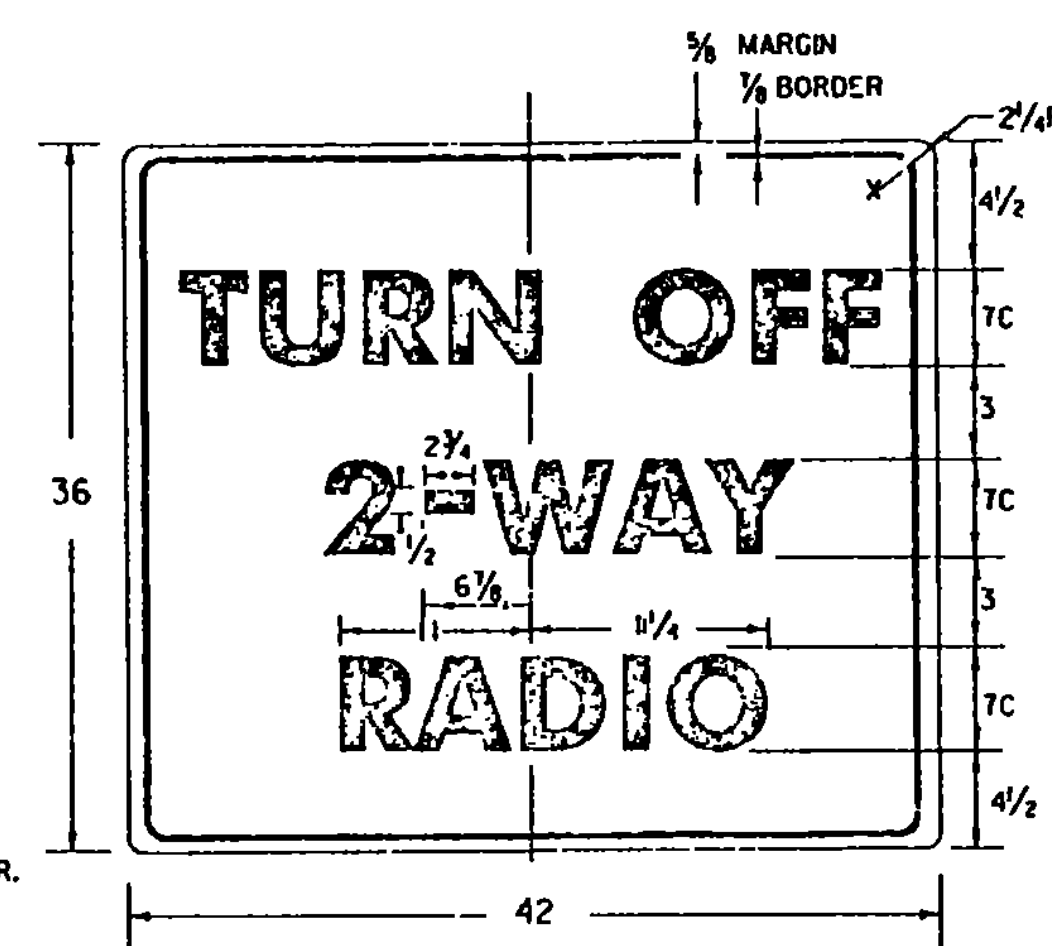
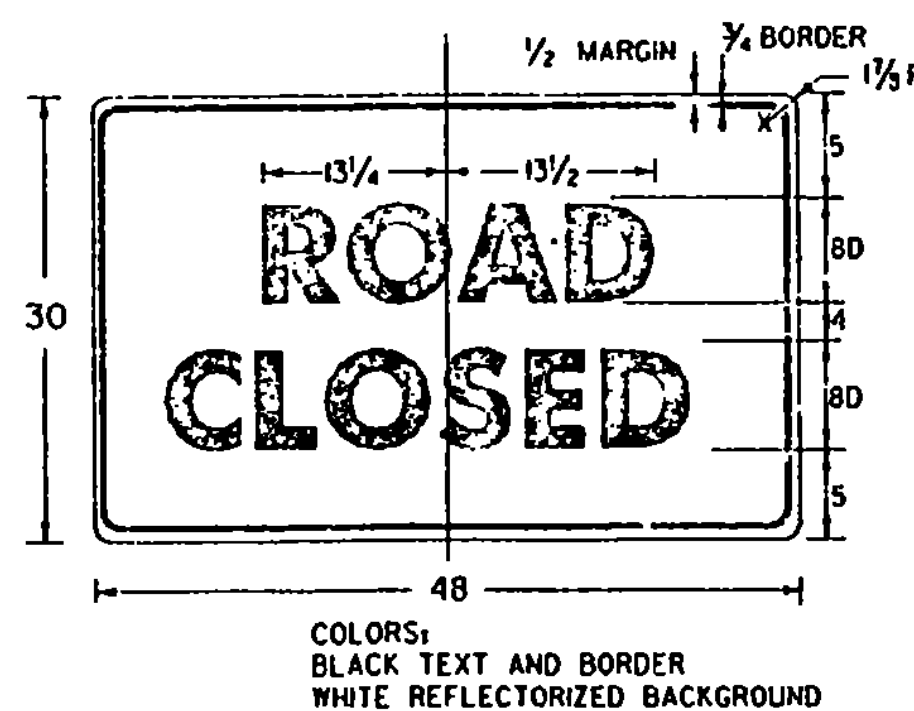
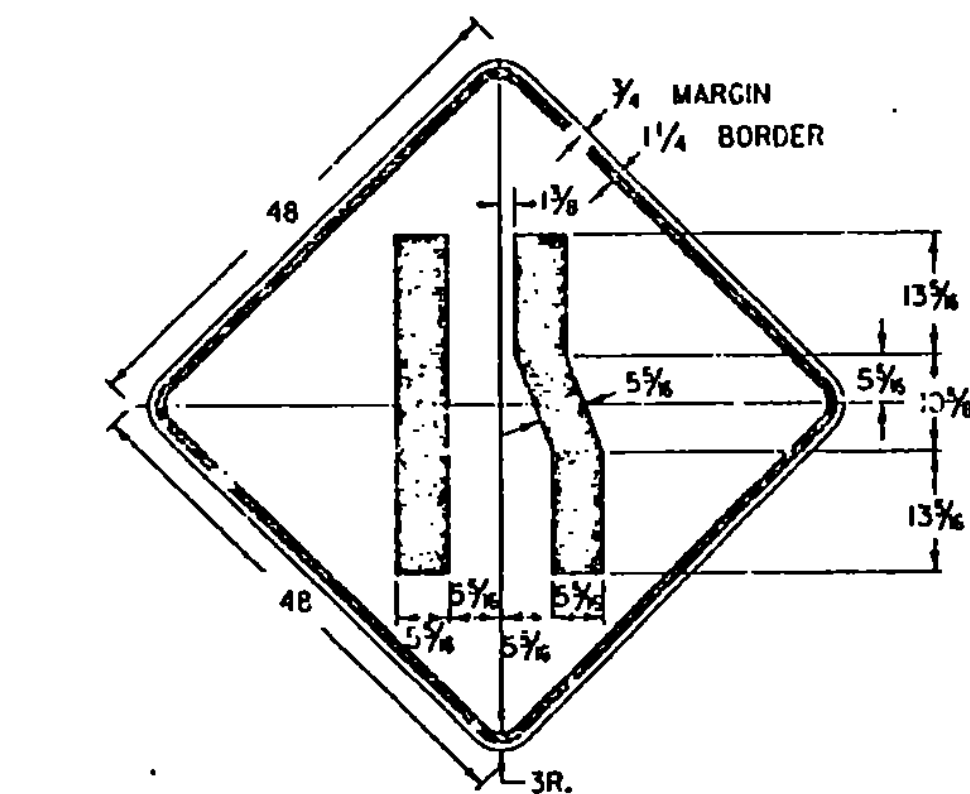
SIGN DETAIL

STAFF DETAIL

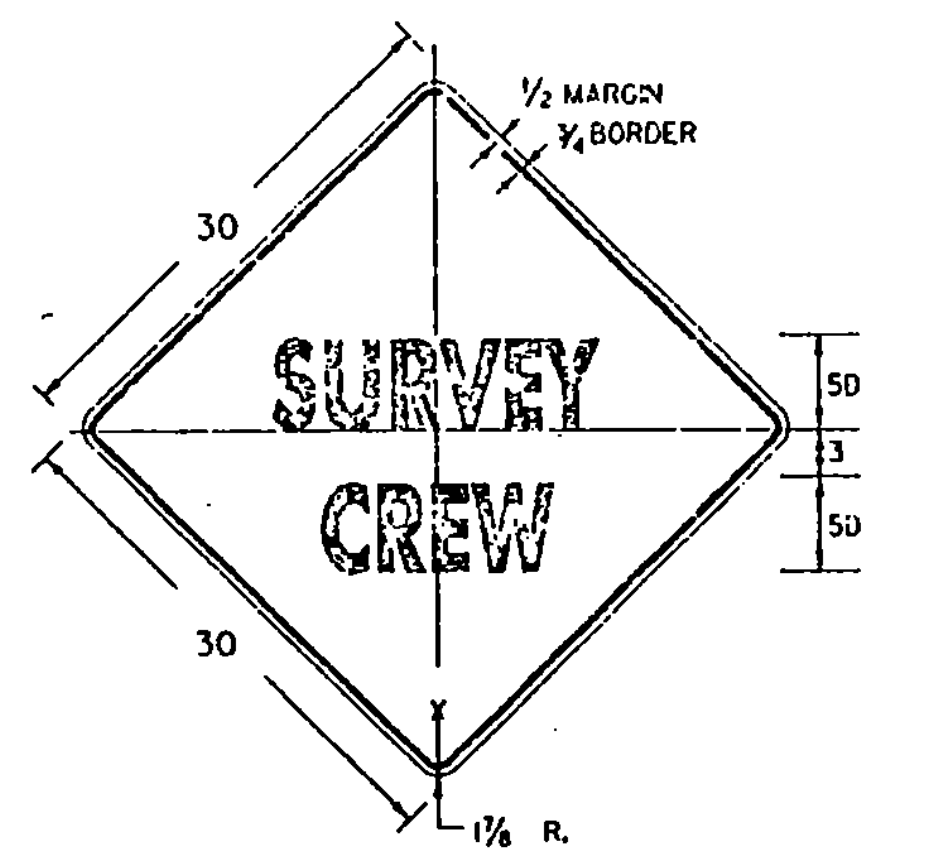
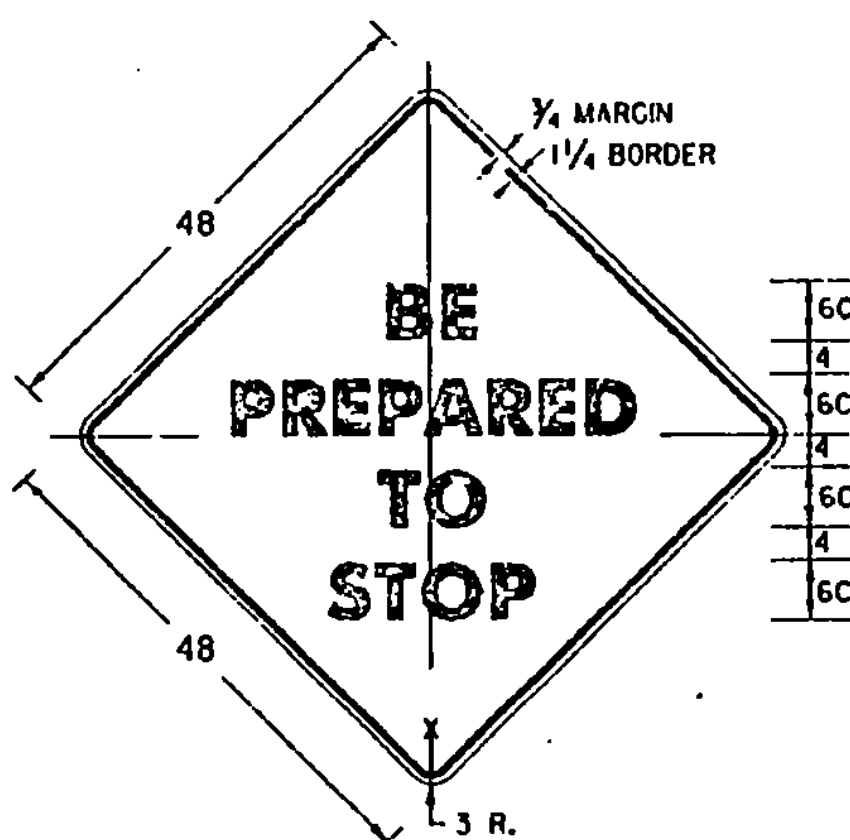
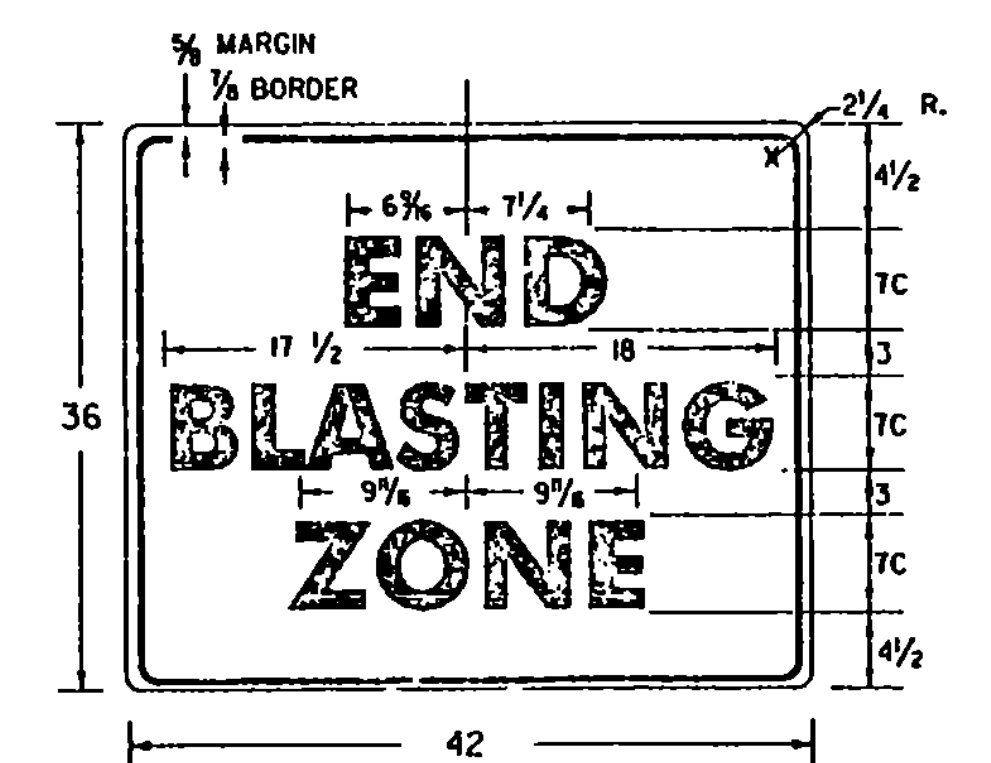
MATERIALS
THE SIGN MATERIALS SHALL BE 0.063" ALUMINUM WITH COLORS AS INDICATED ON DETAILS.
THE STAFF SHALL BE 1" RIGID ALUMINUM CONDUIT OR TUBING WITH A WALL THICKNESS OF 0.125".

MOUNTING
THE STAFF SHALL BE MOUNTED WITH EITHER TWO 1/2" DIAMETER ALUMINUM BOLTS OR TWO 1/4" DIAMETER ALUMINUM RIVETS.

SIGN PADDLE FOR FLAGPERSON



SIGN	DIMENSIONS (INCHES)					
	A	B	C	D	E	F
STD.	18	24	9	12	3/4	1 1/2
SPECIAL	24	30	12	15	1/2	1 1/2
EXPWY.	30	36	15	18	1	1 1/2
FRWY.	36	48	18	24	1 1/4	2 1/4



NOTES

SEE STANDARD SHEET E-100 FOR NOTES AND TEXT DETAILS
COLORS FOR SIGNS SHOWN ON THIS SHEET SHALL BE BLACK TEXT, BORDER AND SYMBOLS ON A REFLECTORIZED (ENCAPSULATED LENS) ORANGE BACKGROUND, UNLESS OTHERWISE NOTED. THE EXCEPTIONS ARE THE ROAD CLOSED AND PADDLE SIGNS.
SIGN DETAILS INDICATE THE APPROPRIATE COLOR.
EXISTING "BRIDGE" SIGNS MAY BE USED UNTIL THE SIGN NEEDS REPLACEMENT. NEW SIGNS SHALL SHOW REFERENCE TO "ROAD" CONSTRUCTION, HOWEVER, SIGN TEXT SHALL BE CONSISTENT THROUGHOUT THE PROJECT.
SIGNS USED ONLY FOR DAYTIME MAINTENANCE OPERATIONS DO NOT NEED TO BE REFLECTORIZED, HOWEVER, THESE SIGNS SHALL BE LABELED "DAYTIME USE ONLY" ON THE BACK OF THE SIGN PANEL WITH 3" SERIES C LETTERS.

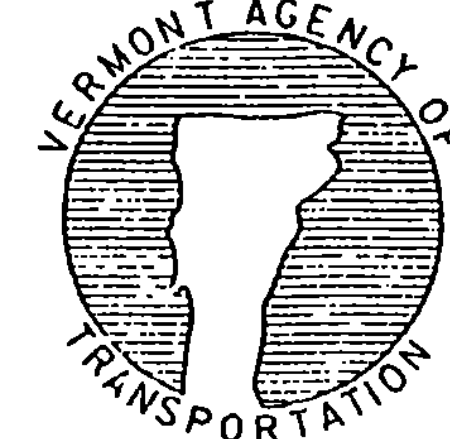
(ALL DIMENSIONS ARE IN INCHES)

REVISIONS AND CORRECTIONS
OCT 21, 1992 - ADDED ADDITIONAL SIGN DIMENSIONS, REVISED CHEVRON BACKGROUND TO ORANGE, & REVISED TITLE BLOCK

APPROVED OCT. 30, 1987
DATE
Sandra M. O'Neil
DIRECTOR OF ENGINEERING
David A. Roer
TRAFFIC AND SAFETY ENGINEER

APPROVED FOR THIS PROJECT AND FOR DESIGN IMPLEMENTATION. FINA FINAL APPROVAL PENDING.

**CONSTRUCTION SIGN
DETAILS**



**STANDARD
E-101**