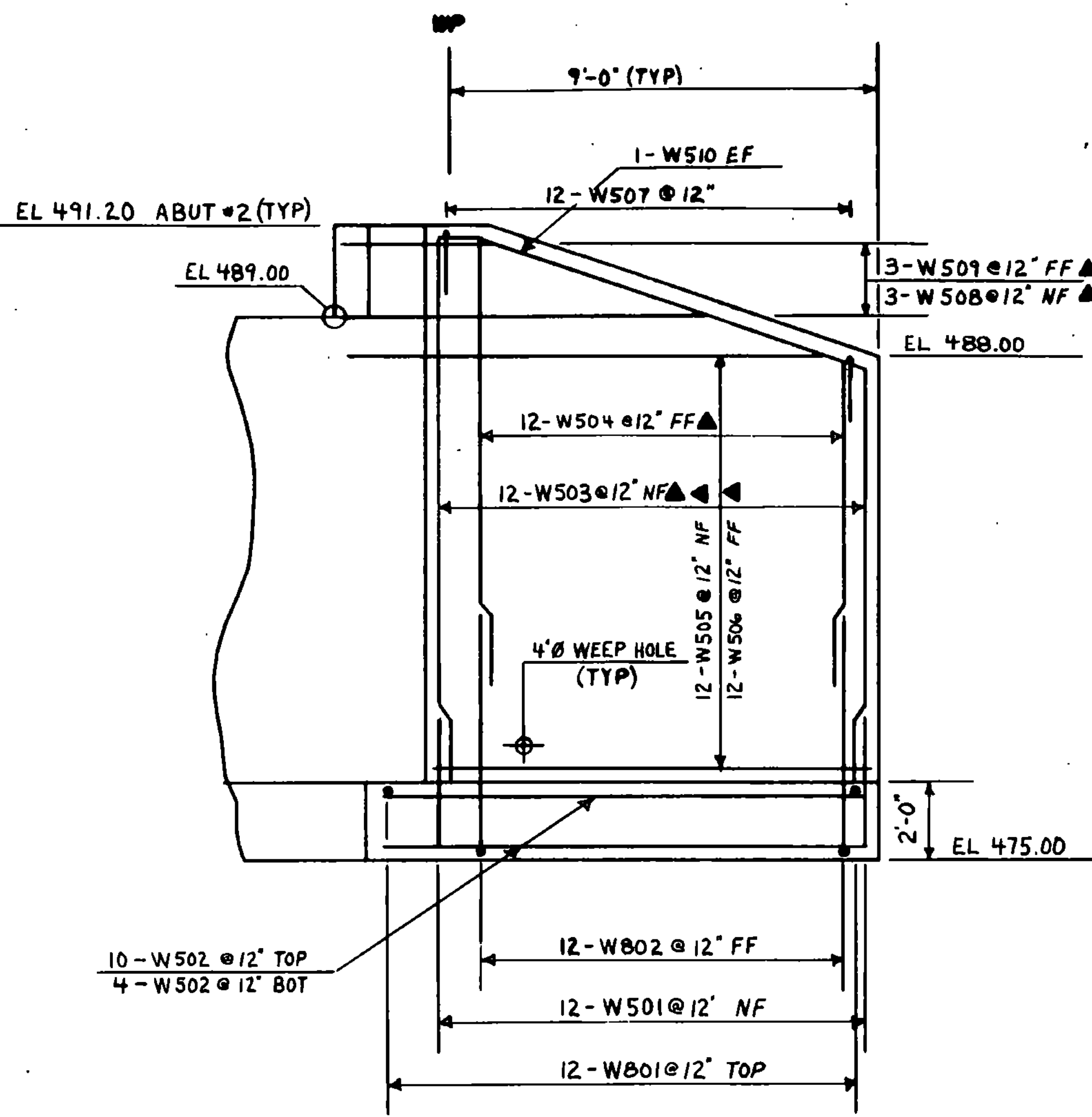


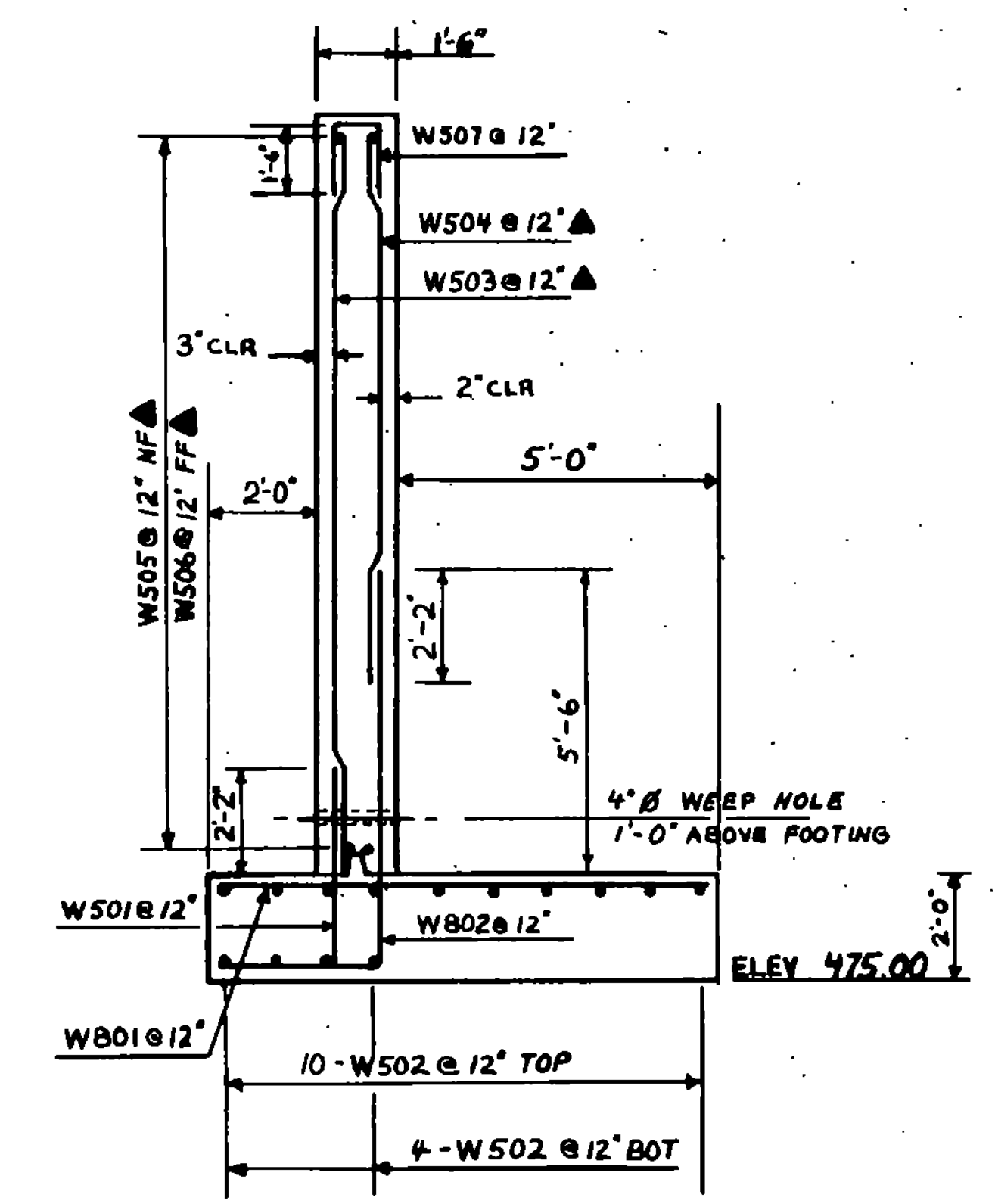
WINGALL 2 OR 3 ELEVATION

SCALE: 3/8" = 1'-0"



WINGALL 1 OR 4 ELEVATION

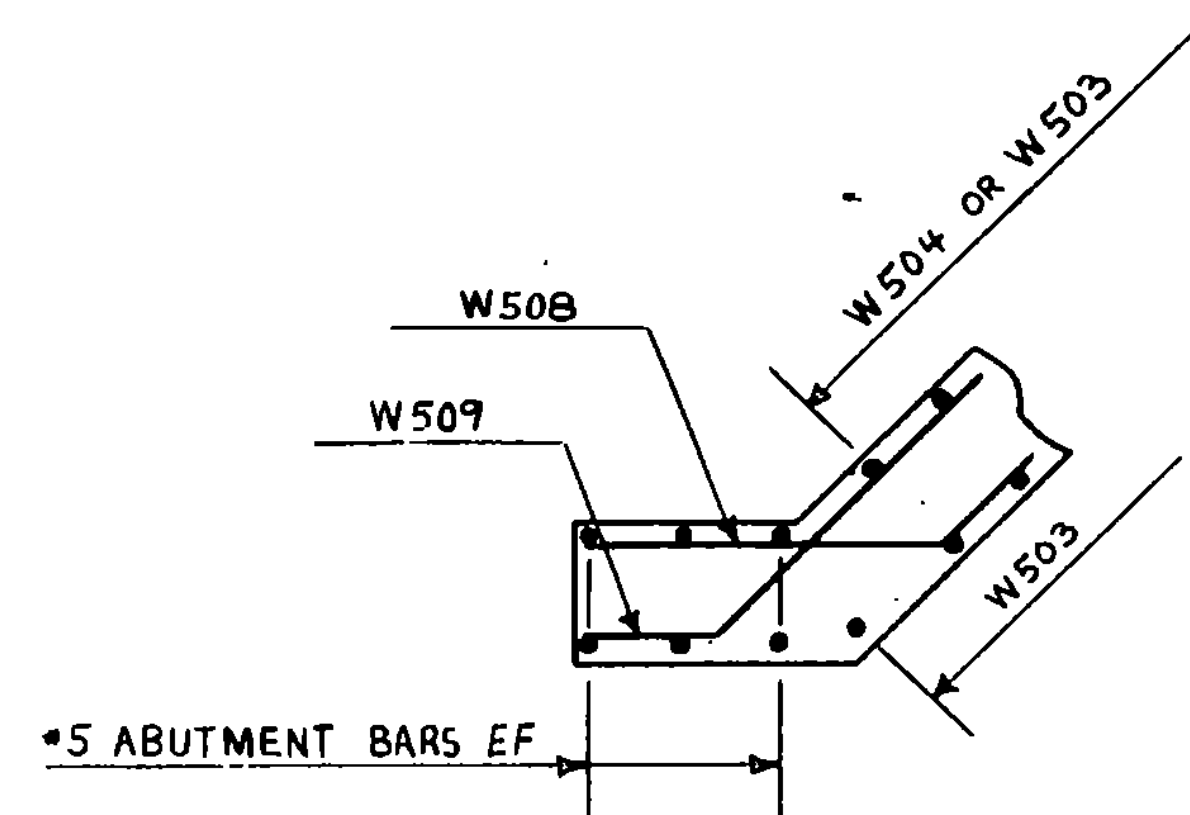
SCALE: 3/8" = 1'-0"



WINGWALL TYPICAL SECTION

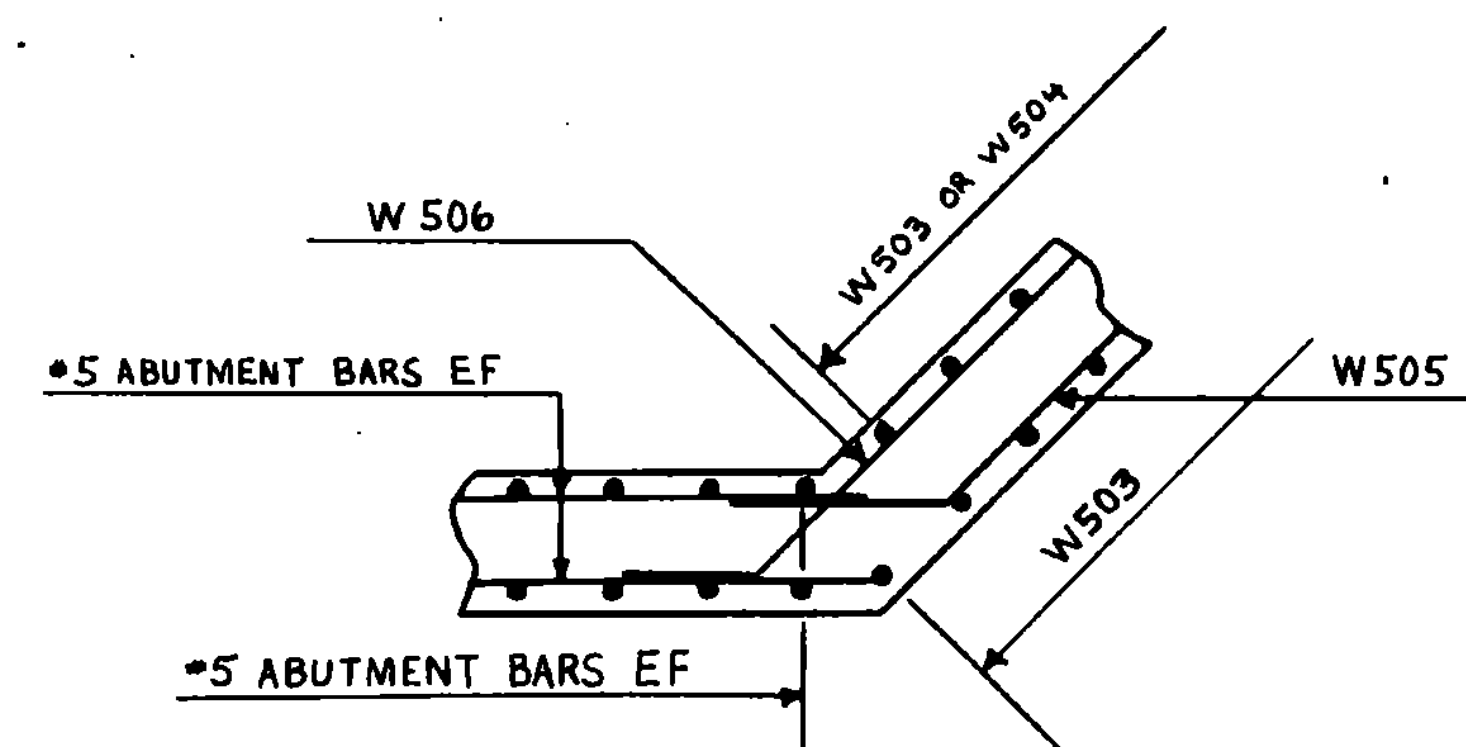
SCALE: 3/8" = 1'-0"

▲ - CUT TO FIT IN FIELD



SECTION A-A (FROM SHEET 9)

SCALE: 1/2" = 1'-0"



SECTION B-B (FROM SHEET 9)

SCALE: 1/2" = 1'-0"

<b>STATE OF VERMONT</b>	
<b>AGENCY OF TRANSPORTATION</b>	
Town Of <b>CHELSEA</b>	Bridge No. <b>30</b>
Highway No. <b>TH 3</b>	Log Sta. <b>—</b>
	Surv. Sta. <b>11+83.7</b>
<b>TOWN HIGHWAY 3 OVER CRAW BROOK</b>	
<b>WINGWALL DETAILS</b>	
Designed By <b>R.E. SICKERT</b>	Drawn By <b>R.E. SICKERT</b>
Checked By <b>C. P. WILLIAMS</b>	Bridge Design Supervisor <b>F. W. BOLKUM</b>
Date <b>2-92</b>	Date <b>2/92</b>
PROJECT <b>CHELSEA</b>	PROJECT NO. <b>TH 3806</b>
L&C. Info. <b>ZH1K3045187-14281DGN</b>	BY <b>JH/PPF</b>
Bridge Sheet No.	Sheet <b>10</b> of <b>19</b>

PLOTTED BY: JH/PPF