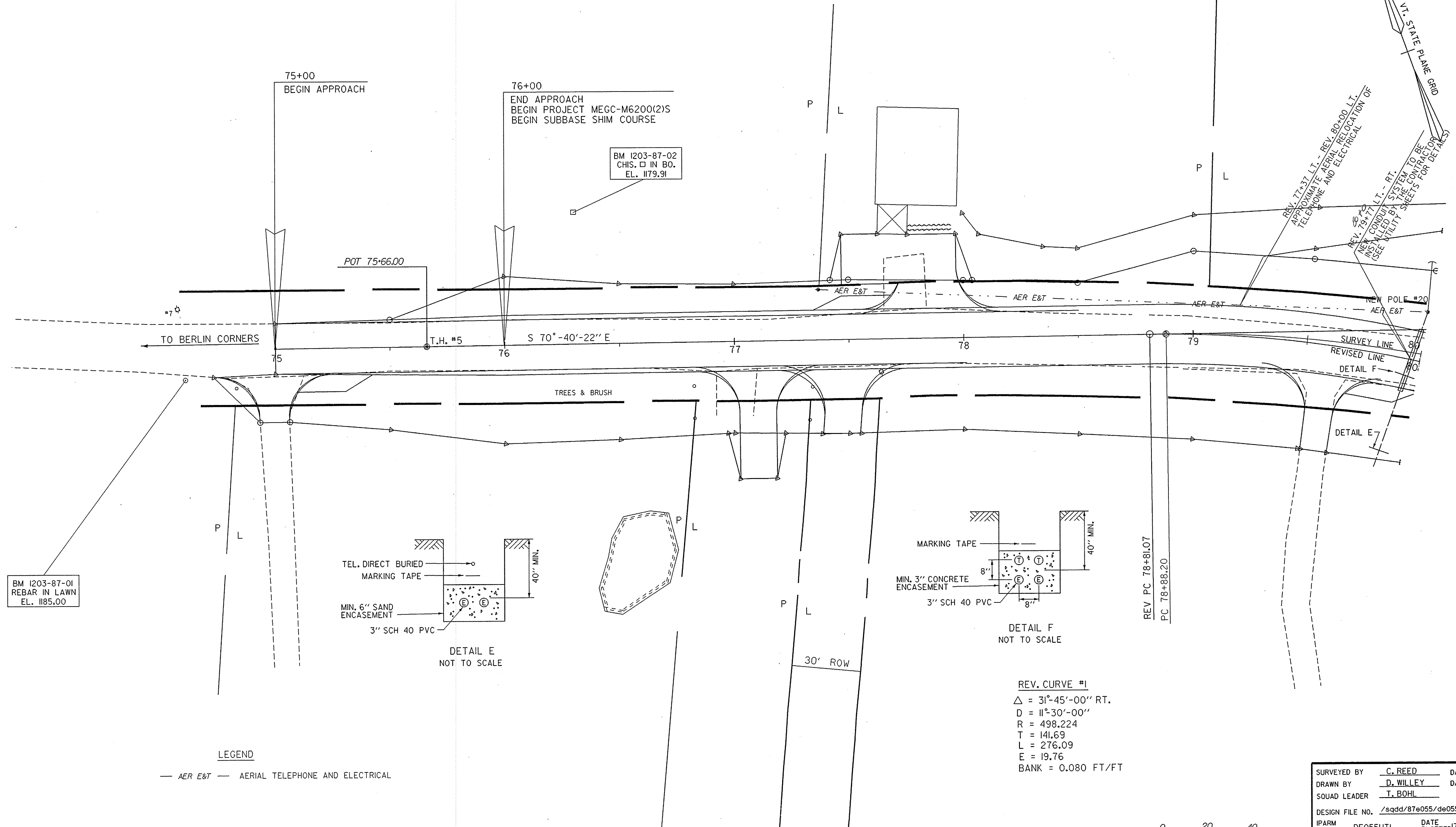
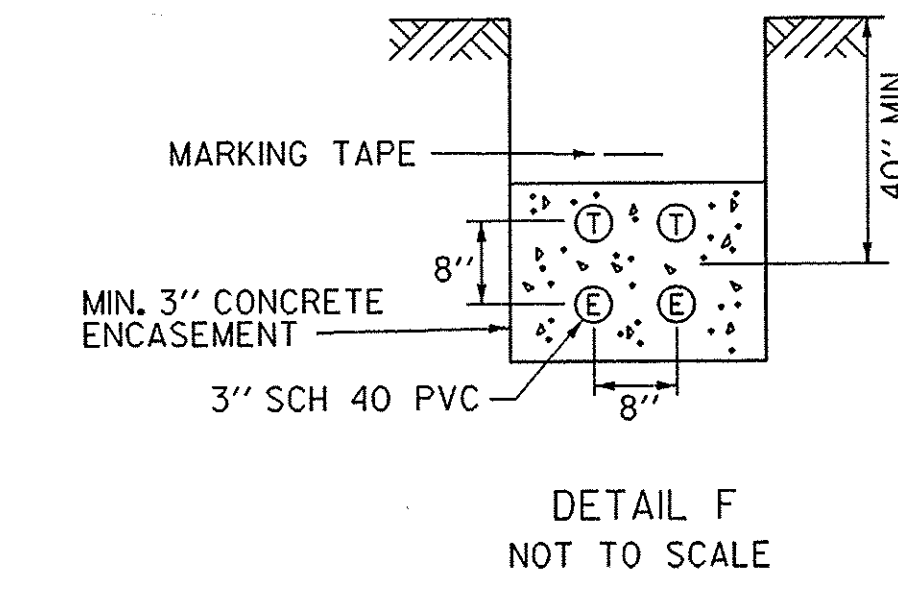
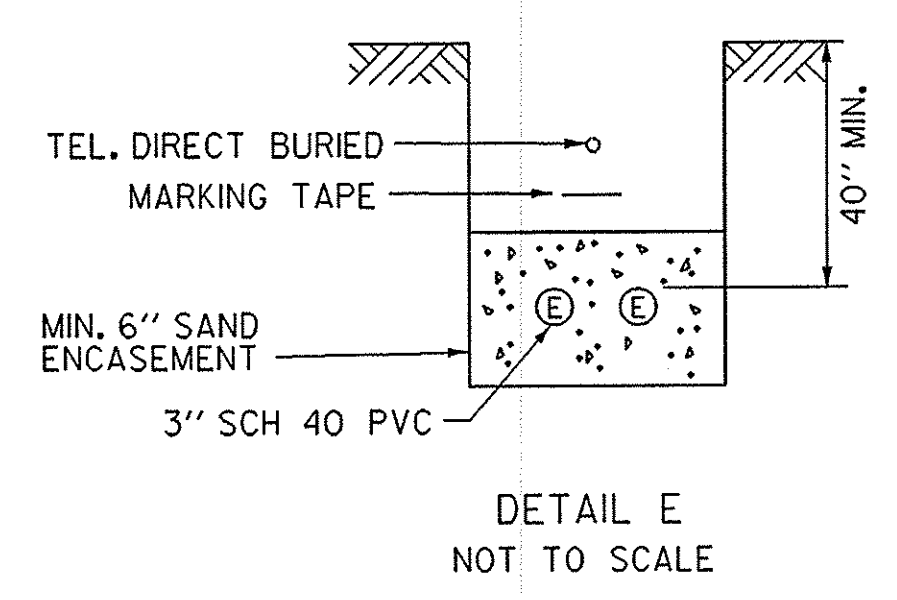


# UTILITY SHEET



BM 1203-87-01  
REBAR IN LAWN  
EL. 1185.00



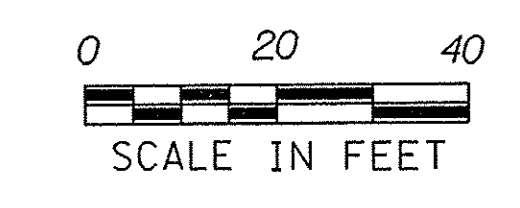
LEGEND

— AER E&T — AERIAL TELEPHONE AND ELECTRICAL

DATUM

VERTICAL NGVD 1929

HORIZONTAL NAD 1927



SURVEYED BY	C. REED	DATE	09-87
DRAWN BY	D. WILLEY	DATE	10-87
SQUAD LEADER	T. BOHL		
DESIGN FILE NO.	/sqdd/87e055/de055bor.dgn		
IPARM FILE	DE055UTI	DATE PLOTTED	17-JUL-1997
PROJ. NAME	BERLIN		
PROJ. NO.	MEGC-M6200(2)S		
SHEET	45	OF	73 SHEETS