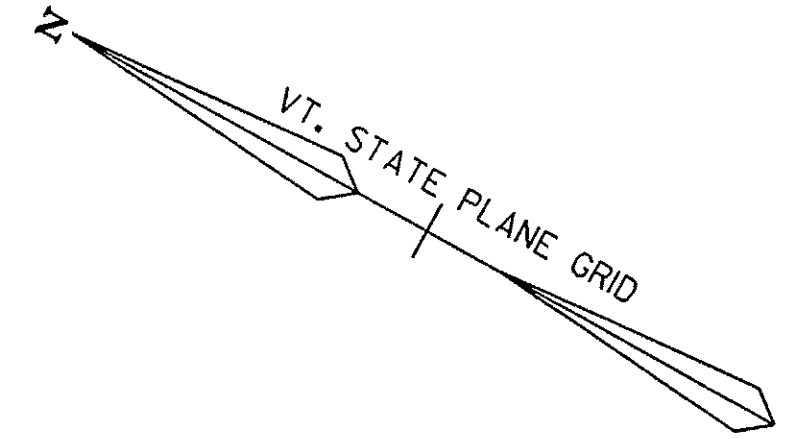
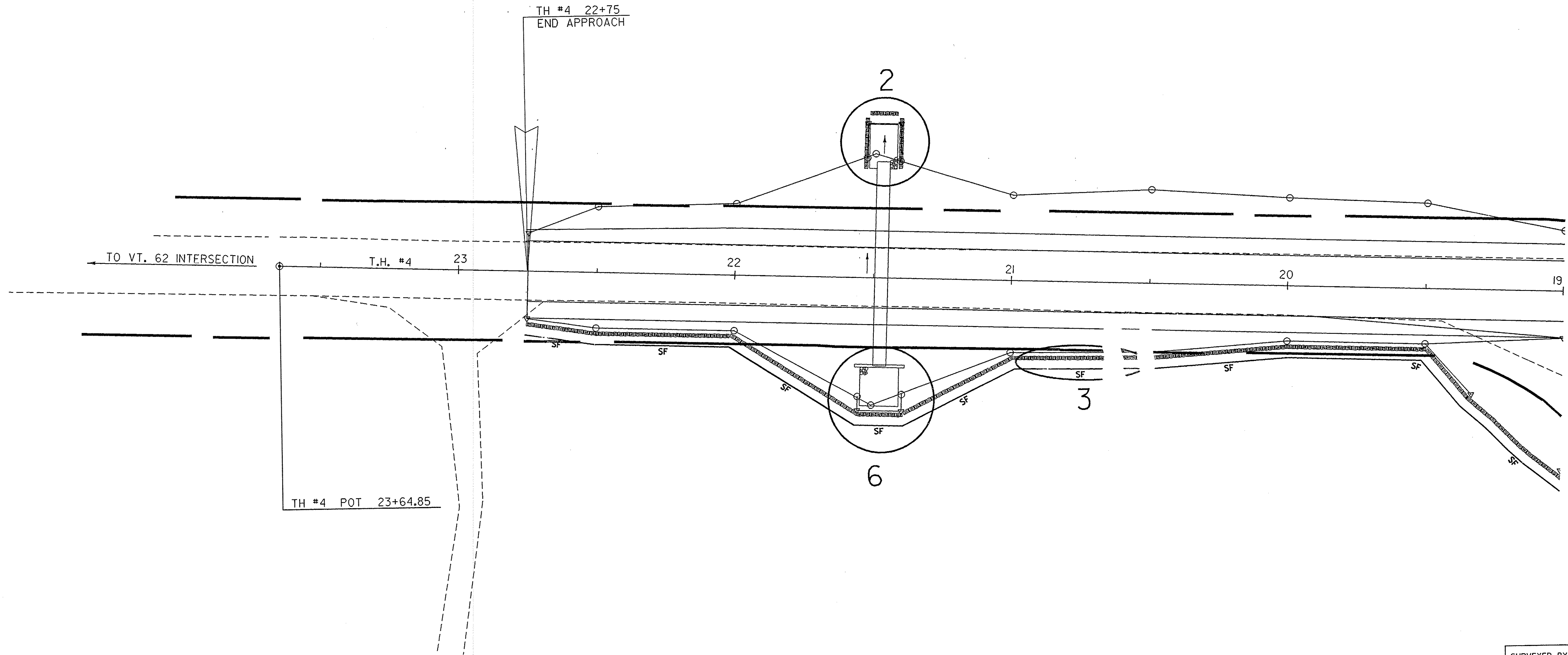


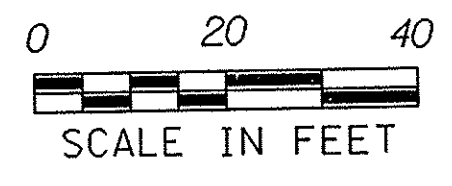
TEMPORARY EROSION CONTROL F. III



GEOTEXTILE FABRIC FOR SILT FENCE
TH #4 19+00 LT.~ TH #4 22+75 LT.
SF SILT FENCE



DATUM
VERTICAL NGVD 1929
HORIZONTAL NAD 1927



SURVEYED BY C. REED DATE 9-87
DRAWN BY D. WILLEY DATE 10-87
SQUAD LEADER T. BOHL
DESIGN FILE NO. /sqdd/87e055/de055bor.dgn
IPARM FILE DE055L7E DATE PLOTTED 17-JUL-1997
PROJ. NAME BERLIN
PROJ. NO. MEGC-M6200(2)S
SHEET 44 OF 73 SHEETS